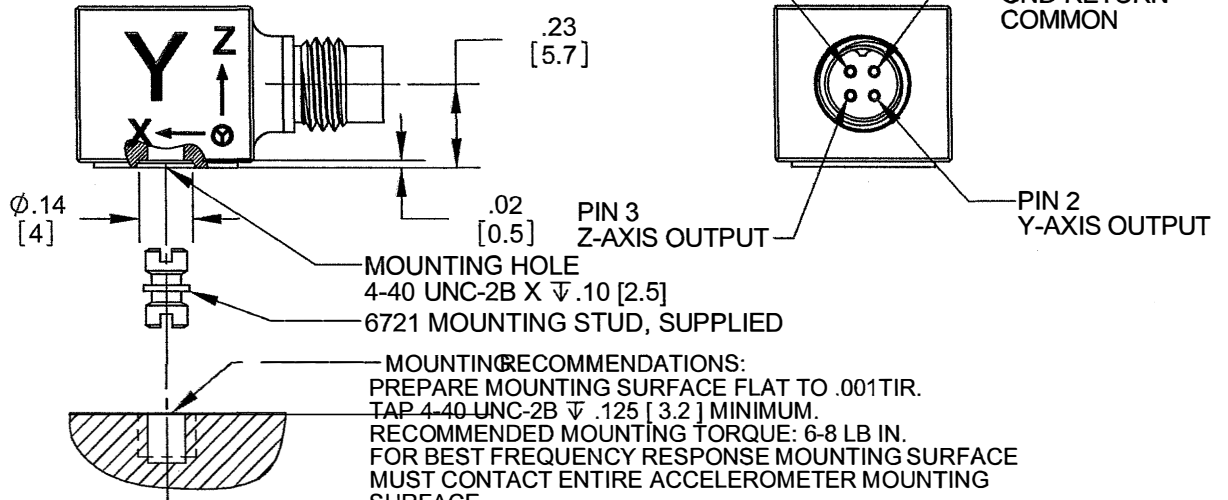
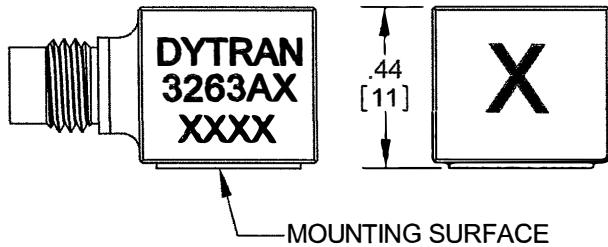
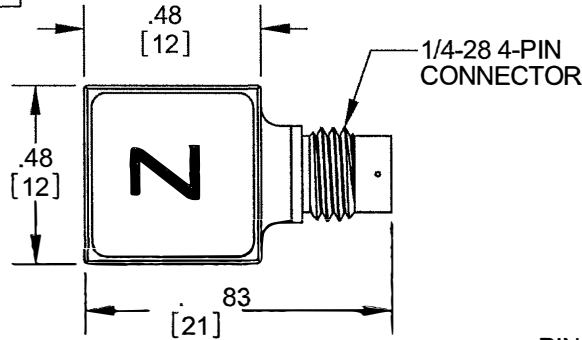


PROPRIETARY AND CONFIDENTIAL

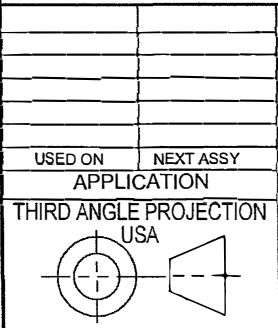
THE INFORMATION CONTAINED IN THIS DRAWING IS THE SOLE PROPERTY OF DYTRAN INSTRUMENTS INC. ANY REPRODUCTION IN PART OR AS A WHOLE WITHOUT THE WRITTEN PERMISSION OF DYTRAN INSTRUMENTS INC. IS PROHIBITED

REVISIONS				
REV.	ECN	DESCRIPTION	BY/DATE	CHK/ APPR
B	8131	ADDED: 3263A2 & A3, NOTE 3 IS: ...MAX WAS:... NOMINAL	JS 12/14/11	<i>JS</i> <i>ANS</i>

MODEL	SENSITIVITY
3263A1	10 mV/g
3263A2	100 mV/g
3263A3	50 mV/g



4. MATES WITH DYTRAN MODEL 6811AXX (XX = LENGTH IN FEET)
 3. WEIGHT: 5.6 GRAMS MAX
 2. ARROWS INDICATE ACCELERATION DIRECTION FOR POSITIVE OUTPUT.
 1. HOUSING MATERIAL: TITANIUM ALLOY
- NOTES: UNLESS OTHERWISE SPECIFIED.



UNLESS OTHERWISE SPECIFIED:
 INTERPRET DIM & TOL PER ASME Y14.5M - 1994.
 REMOVE BURRS.
 COUNTERSINK INTERNAL THDS 90° TO MAJOR DIA.
 CHAM EXT THDS 45° TO MINOR DIA.
 THD LENGTHS AND DEPTHS ARE FOR MIN FULL THDS.
 THDS PER MIL-S-7742.
 DIMENSIONS APPLY AFTER FINISHING.
 ALL MACHINED SURFACES. TOTAL RUNOUT WITHIN .005.
 BREAK SHARP EDGES .005 TO .010.
 MACHINED FILLET RADII .005 TO .015.
 WELDING SYMBOLS PER AWS A2.4.
 ABBREVIATIONS PER MIL-STD-12.

UNLESS OTHERWISE SPECIFIED:
 DIMENSIONS ARE IN INCHES. DIMENSIONS IN BRACKETS [] ARE IN MILLIMETERS
 TOLERANCES ARE:
 INCHES METRIC ANGLES
 .XX ± .03 .X ± 0.8 ± 1°
 .XXX ± 0.10 .XX ± 0.25

MATERIAL: _____

FINISH: _____

DO NOT SCALE DRAWING

CONTRACT NO. _____

APPROVALS		DATE
ORIG	RA	9/9/06
CHK	JS	09/09/11
APP	DV	09/27/11
APP		


DYTRAN INSTRUMENTS, INC. Chatsworth, CA

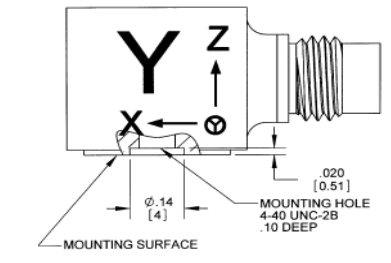
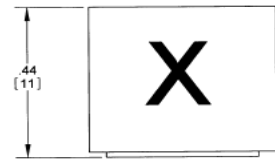
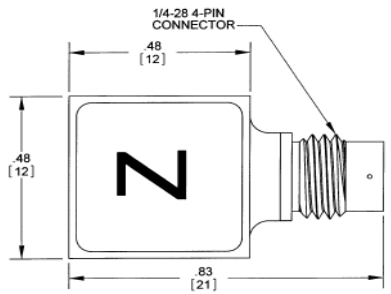
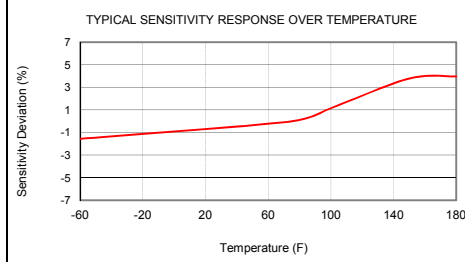
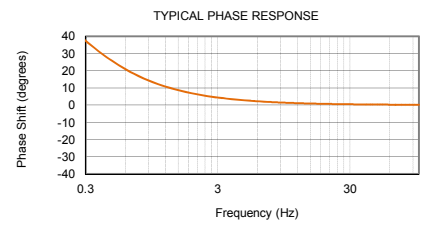
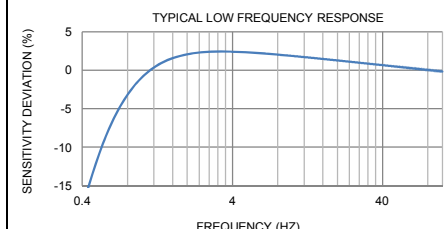
MASTER ONLY IF IN RED

TITLE: **OUTLINE/INSTALLATION DRAWING, MODEL 3263A SERIES ACCELEROMETER**

SIZE	CAGE CODE	DWG. NO.	REV
A	2W033	127-3263A3	B

SCALE: NONE SOLIDWORKS SHEET 1 OF 1

MODEL NUMBER 3263A1	PERFORMANCE SPECIFICATION				DOC NO. PS3263A1			
	TRIAxIAL ACCELEROMETER, IEPE				REV E, ECN 10841, 03/07/14			
 ACTUAL SIZE	<ul style="list-style-type: none"> • TRIAXIAL ACCELEROMETER • HIGH SENSITIVITY • MINATURE SIZE 		This family also includes:					
			Model	Sensitivity (mV/g)	Range (Gpeak)	Resolution (Grms)	Oper. Temp(*F)	TC
			3263A2	100	50	0.0006	-60 to +180	1.0 to 2.0
			3263A3	50	100	0.0008	-60 to +180	1.0 to 2.0
Please, refer to the performance specifications of the products in this family for detailed description.								
SUPPLIED ACCESSORIES								
a) Model 6721 mounted stud 4-40 to 4-40.								
Notes:								
[1] Connector mates with Dytran cable assembly Model 6811AXX (XX= length in feet)								
[2] Measured at 100 Hz, 1 grms per ISA RP 37.2.								
[3] Measured using zero-based best straight-line method, % of F.S. or any lesser range.								
[4] Do not apply power to this device without current limiting, 20 mA MAX.								
To do so will destroy the integral IC amplifier.								
[5] In the interest of constant product improvement, we reserve the right to change specifications without notice.								
PHYSICAL		ENGLISH		SI				
	Weight, Max.	0.2	oz	5.6	grams			
Mounting, Integral Thread		4-40 UNC-2B		4-40 UNC-2B				
Connector [1]	Type	4 PIN		4 PIN				
Material Body	Material	Titanium		Titanium				
Sensing Element	Material	Ceramic		Ceramic				
	Mode	Shear		Shear				
PERFORMANCE		ENGLISH		SI				
	Sensitivity +/- 10% [2]	10	mV/g	1.02	mV/ m/s ²			
Range F.S. For ± 5 Volts Output		± 500	g	± 4900	m/s ²			
Frequency Response, - 10% to + 15%		0.3 to 10000	Hz	0.3 to 10000	Hz			
Resonant Frequency		>40	KHz	>40	KHz			
Phase Response, ± 5°		2 to 3000	Hz	2 to 3000	Hz			
Linearity, Max [3]		± 1%	%F.S	± 1%	%F.S			
Transverse Sensitivity, Max.		6%		6%				
Equivalent Electrical Noise Floor		0.008	g rms	0.08	m/s ² rms			
Spectral Noise	1Hz	100	µGrms/√(Hz)	981	µm/s ² rms/√(Hz)			
	10Hz	50	µGrms/√(Hz)	491	µm/s ² rms/√(Hz)			
	100Hz	10	µGrms/√(Hz)	98	µm/s ² rms/√(Hz)			
	1000Hz	10	µGrms/√(Hz)	98	µm/s ² rms/√(Hz)			
	10000Hz	5	µGrms/√(Hz)	49	µm/s ² rms/√(Hz)			
ENVIRONMENTAL		ENGLISH		SI				
	Maximum Vibration	600	±gpk	5886	± m/s ² pk			
Maximum Shock		5000	±gpk	49050	± m/s ² pk			
Temperature Range		-60 to +250	°F	-51 to 121	°C			
Seal		Hermetic		Hermetic				
ELECTRICAL		ENGLISH		SI				
	Supply Current [4]	2 to 20	mA	2 to 20	mA			
Compliance Voltage Range		+18 to +30	V	+18 to +30	V			
Output Impedance TYP		100	Ω	100	Ω			
Bias Voltage		+11 to +13	VDC	+11 to +13	VDC			
Discharge Time Constant		1.0 to 2.0	sec	1.0 to 2.0	sec			



Units on the line drawing are in inches, units in brackets are in millimeters. Refer to 127-3263A3 for more information.