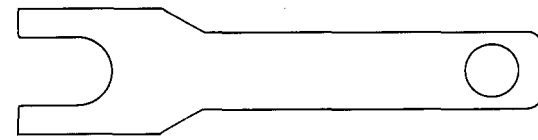
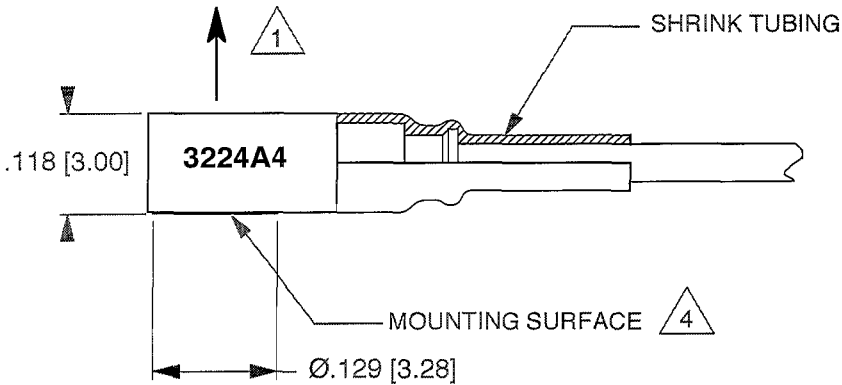
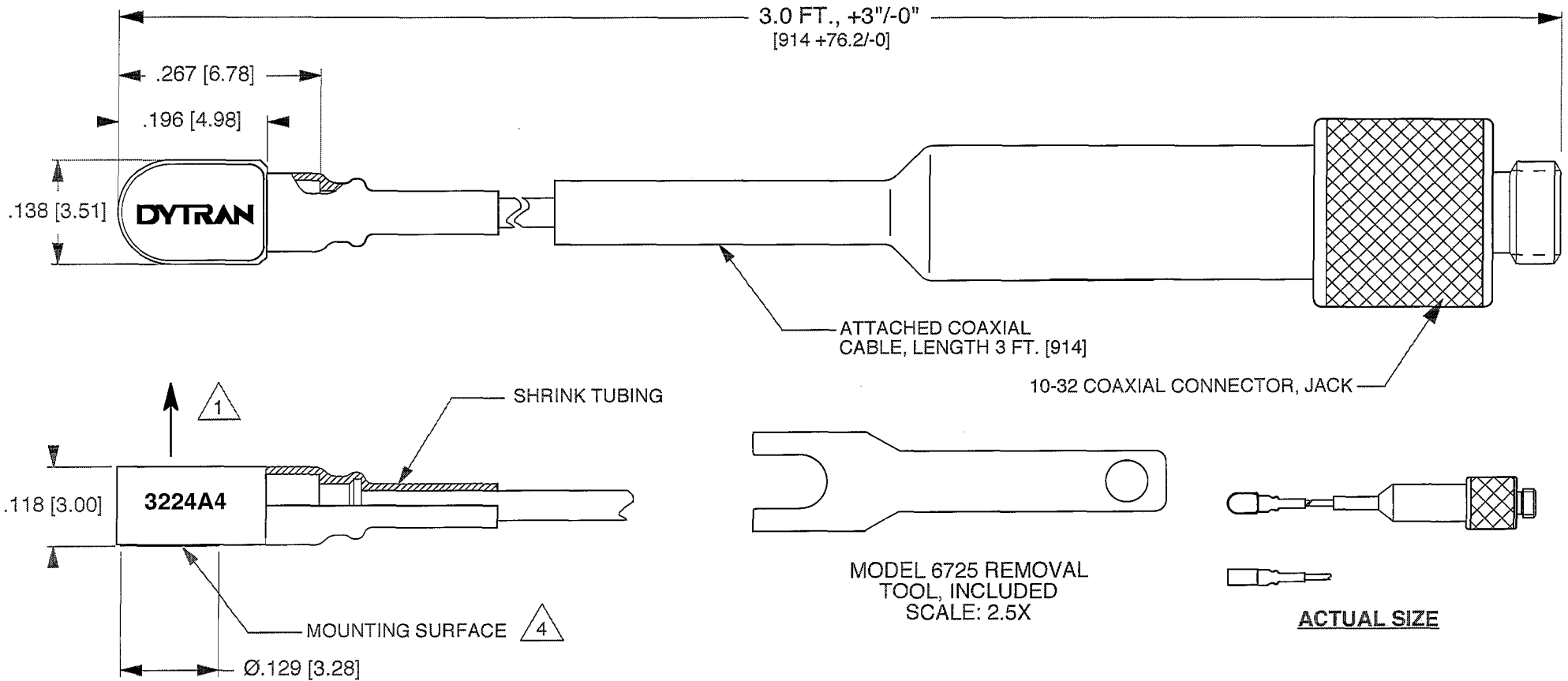
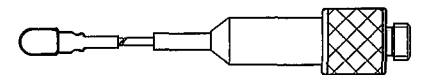


Presented by: Absolute Gauge Technologies
 sales@absolute-gauge.com; www.absolute-gauge.com,
 Toronto: 416 754 3168, Montreal: 514 695 5147
 Toll Free: 1 888 754 7008

| REV | ECN | DESCRIPTION | BY/DATE | CHK | APPR |
|-----|-------|------------------------------|-------------|-----|------|
| A | 9414 | INITIAL RELEASE | NC/12-12-12 | EP | DV |
| B | 9935 | UPDATED VIEW OF CONNECTOR | AB 05/10/13 | JS | RT |
| C | 10349 | CORRECTED DIMENSIONS OF BODY | NC/09-09-13 | MH | RT |




MODEL 6725 REMOVAL TOOL, INCLUDED
 SCALE: 2.5X



ACTUAL SIZE

- 4 APPLY ADHESIVE TO THIS SURFACE TO MOUNT.
- 3. CASE AND CONNECTOR MATERIAL: TITANIUM.
- 2. WEIGHT LESS CABLE: 0.2 GRAMS.
- 1 ARROW INDICATES SENSE AND DIRECTION OF INPUT ACCELERATION FOR POSITIVE GOING OUTPUT SIGNAL.

| | | |
|---|-----------|--------|
| UNLESS OTHERWISE SPECIFIED: DIMENSIONS ARE IN INCHES. DIMENSIONS IN BRACKETS [] ARE IN MILLIMETERS. TOLERANCES ARE: | | |
| INCHES | METRIC | ANGLES |
| .XX ±.03 | .X ±0.8 | ±1° |
| .XXX ±.005 | .XX ±0.25 | |

| | | | | | |
|---|------------------|------------------------------|--|------------------------------|--|
|  | | MASTER ONLY IF IN RED | | CHATSWORTH, CA. | |
| SCALE 5X | DESIGN N.C. | DATE 12/12/12 | | | |
| DRAWN N.C. | DATE 12/12/12 | PART NO. MODEL 3224A4 | | | |
| CHECKED MH | DATE 01/13/13 | MATERIAL | | REV C | |
| APPROVED RT | DATE 01/13/13 | NEXT ASSEMBLY | | USED ON | |
| TITLE OUTLINE/INSTALLATION DRAWING, MODEL 3224A4 | | | | DWG NO. 127-3224A4 | |
| | | | | SHEET 1 OF 1 | |

