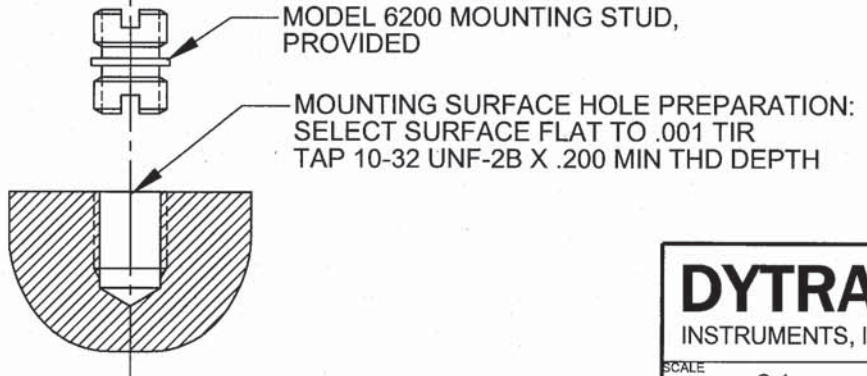
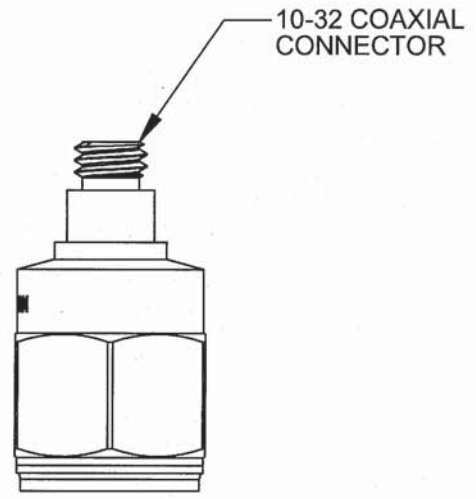
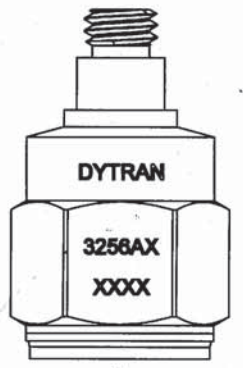
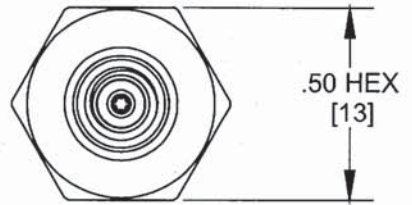


MODEL	REV	ECN	DATE	SENSITIVITY
3256A1	A	4535	2/5/2007	10 mV/g
3256A2	A	4535	2/5/2007	100 mV/g
3256A3	A	4535	2/5/2007	500 mV/g
3256A4	A	4535	2/5/2007	20 mV/g
3256A5	A	4535	2/5/2007	50 mV/g
3256A6	A	4535	2/5/2007	200mV/g



<b>DYTRAN MASTER</b>				INSTRUMENTS, INC. CHATSWORTH, CA	
<b>ONLY IF IN RED</b>					
SCALE	2:1	REV	-	DATE	SEE CHART
DATE	2/5/2007	ECN		SEE CHART	
DRAWN	CER	PART NO.	3256A SERIES		
CHECKED	CER	MATERIAL	-		
APPROVED	CER	NEXT ASSEMBLY	3256AX	USED ON	3256AX SERIES
TITLE				DWG NO.	
OUTLINE / INSTALLATION DRAWING				127-3256A	
3256A SERIES ACCELEROMETER				SHEET 1 OF 1	

**SPECIFICATIONS**  
**MODEL SERIES 3256A LIVM ACCELEROMETERS**

SPECIFICATION	VALUE	UNITS
<b>PHYSICAL</b>		
WEIGHT	10	grams
SIZE, HEX x HEIGHT	.50 x 0.91	inches
MOUNTING PROVISION	10-32 X .150 DEEP TAPPED HOLE	
CONNECTOR, RADially MOUNTED	10-32 coaxial	
MATERIAL, BASE, CAP & CONNECTOR	TITANIUM	
GROUNDING	SIGNAL GROUNDED TO HOUSING	
SEISMIC ELEMENT TYPE	CERAMIC, PLANAR SHEAR	

**PERFORMANCE**

	3256A1	3256A2	3256A3	3256A4	3256A5	3256A6	
SENSITIVITY, $\pm 5\%$ [1]	10	100	500	20	50	200	mV/g
RANGE F.S. FOR $\pm 5$ VOLTS OUT	$\pm 500$	$\pm 50$	$\pm 10$	$\pm 250$	$\pm 100$	$\pm 25$	g
FREQUENCY RANGE, $\pm 5\%$			1 to 10,000				Hz
RESONANT FREQUENCY, NOM.			32				kHz
EQUIVALENT ELECTRICAL NOISE	.007	.0007	.00014	.0035	.0014	.003	g rms
LINEARITY [2]			$\pm 2$				%F.S.
TRANSVERSE SENSITIVITY, MAX.			5				%

**ENVIRONMENTAL**

	3256A1	3256A2	3256A3	3256A4	3256A5	3256A6	
MAXIMUM VIBRATION	600	400	200	600	500	400	$\pm$ g
MAXIMUM SHOCK	3000	2000	1000	3000	3000	2000	gpk
TEMPERATURE RANGE	-60 to +250	-60 to +250	-60 to +225	-60 to +250	-60 to +250	-60 to +225	°F
SEAL, HERMETIC			Glass-to-metal/welded				
COEFFICIENT OF THERMAL SENS			.06				%/°F

**ELECTRICAL**

SUPPLY CURRENT [3]	2 to 20	mA
COMPLIANCE VOLTAGE RANGE	18 to +30	V
OUTPUT IMPEDANCE, TYP.	100	$\Omega$
BIAS VOLTAGE, +10.5 VOLTS NOM.	+9 to +12	Vdc
DISCHARGE TIME CONSTANT, NOM.	0.5	sec
OUTPUT SIGNAL POLARITY	Positive	
FOR ACCELERATION TOWARD TOP		

**Accessories supplied:** (1) Model 6200 mounting stud.

[1] Measured at 100 Hz, 1 g RMS per ISA RP 37.2.

[2] Measured using zero-based best straight line method, % of F.S. or any lesser range.

[3] Do not apply power to this device without current limiting, 20 mA MAX. To do so will destroy the integral IC amplifier.