

MV-CU020-90UM

2 MP 1/1.7" CMOS USB3.0 Area Scan Camera



GEN<i>i>CAM

USBTM
VISION

Introduction

MV-CU020-90UM camera adopts GMAX4002 CMOS sensor to provide high-quality images. It uses USB3.0 interface to transmit non-compressed images in real time, and its max. frame rate can reach 150.2 fps.

Key Feature

- Adopts optimized hardware design and low-power design with stable performance.
- Supports auto or manual adjustment of gain, exposure time, manual adjustment of LUT, and Gamma correction, etc.
- Supports customized ROI, horizontal and vertical reverse image output.
- Adopts compact design for flexible installation.
- Compatible with USB3 Vision Protocol, GenICam Standard, and third-party software based on the protocol and standard.

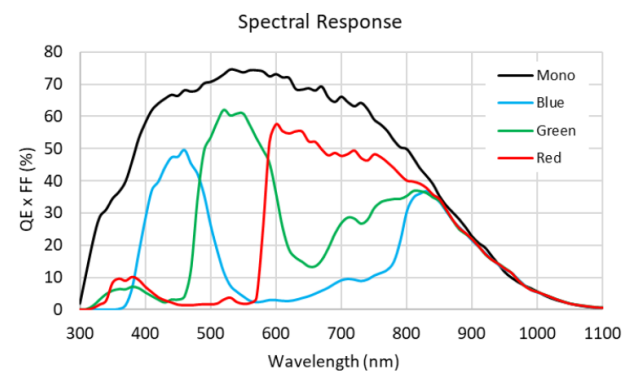
Available Model

MV-CU020-90UM

Applicable Industry

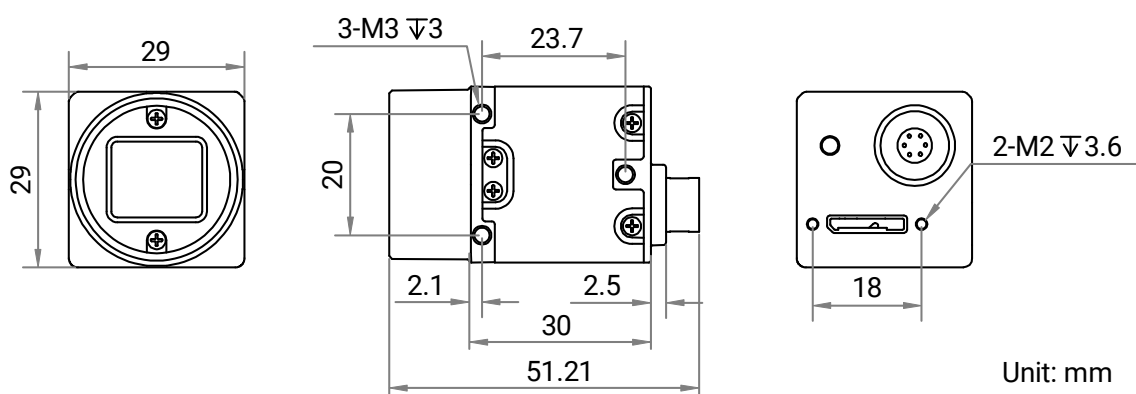
Electronic semiconductor, factory automation, logistics code reading, liquor and beverage, pharmaceutical packaging, etc.

Sensor Quantum Efficiency



MV-CU020-90UM

Dimension



Specification

Model	MV-CU020-90UM
Performance	
Sensor type	CMOS, global shutter
Sensor model	GMAX4002
Pixel size	4 μm x 4 μm
Sensor size	1/1.7"
Resolution	2048 x 1200
Max. frame rate	150.2 fps @ 2048 x 1200 Mono 8
Dynamic range	66.9 dB
SNR	40.8 dB
Gain	0 dB to 11.1 dB
Exposure time	4 μs to 10 sec
Exposure mode	Off/Once/Continuous exposure mode
Mono/color	Mono
Pixel format	Mono 8/10/10Packed/12/12Packed
Binning	Supports 1 x 1, 2 x 2, 4 x 4
Decimation	Supports 1 x 1, 2 x 2, 4 x 4
Reverse image	Supports horizontal and vertical reverse image output
Electrical features	
Data interface	USB3.0, compatible with USB2.0
Digital I/O	6-pin P7 connector provides power and I/O, including opto-isolated input x 1 (Line 0), opto-isolated output x 1 (Line 1), and bi-directional non-isolated I/O x 1 (Line 2)
Power supply	9 VDC to 24 VDC, supports USB power supply
Power consumption	Typ. 1.9 W @ 5 VDC (USB3.0 provides power supply)
Mechanical	
Lens mount	C-mount
Dimension	29 mm x 29 mm x 30 mm (1.1" x 1.1" x 1.2")
Weight	Approx. 80 g (0.2 lb.)
Ingress protection	IP30 (under proper lens installation and wiring)
Temperature	Working temperature: 0 °C to 50 °C (32 °F to 122 °F) Storage temperature: -30 °C to 80 °C (-22 °F to 176 °F)
Humidity	20% RH to 95% RH (no condensation)
General	
Client software	MVS or third-party software meeting with USB3 Vision Protocol
Operating system	32/64-bit Windows XP/7/10/11, 32/64-bit Linux, and 64-bit MacOS
Compatibility	USB3 Vision, GenICam
Certification	CE, RoHS, KC