

# MV-LE200

## Digital Series Light Controller



### Introduction

MV-LE200 digital light controller supports outputting multichannel light sources and different control modes of light source. It provides I/O connectors, device management interface, and corresponding light source controller software. The digital light controller helps users realize fast and convenient deployment of light source on site.

### Available Model

- 4-channel, output power 200 W: MV-LE200-200W24-4TD
- 4-channel, output power 120 W: MV-LE200-120W24-4TD
- 6-channel, output power 90 W: MV-LE200-90W24-6D
- 2-channel, output power 48 W: MV-LE200-48W24-2D

### Key Feature

- Supports different control modes of light source, including control panel and software.
- Supports using serial port or network interface to set parameters and manage the device.
- Provides multichannel inputs and outputs.
- Supports installation via slide rail or hole.
- Supports overcurrent, overload, short circuit protection.

## Specification

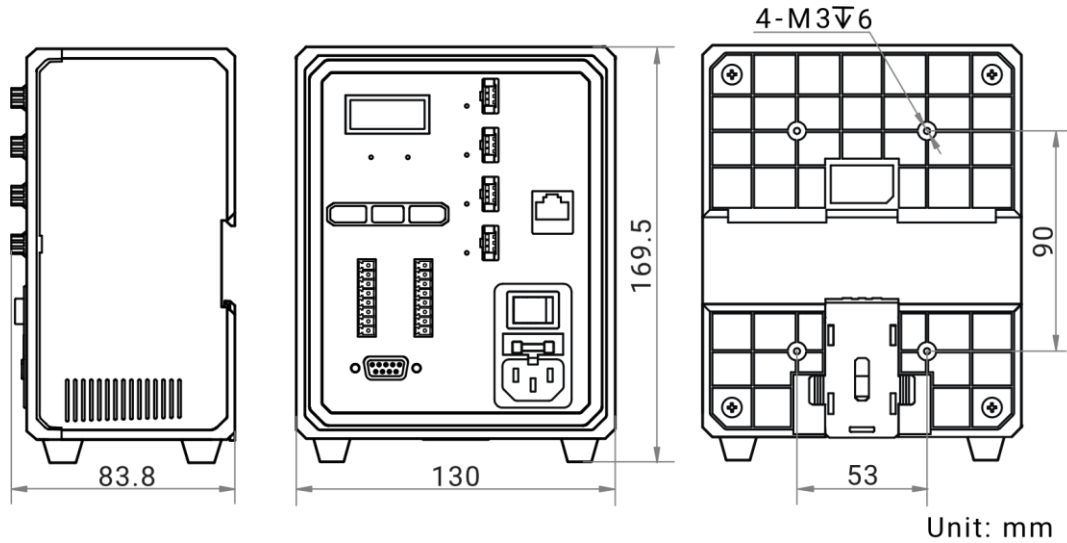
Model	MV-LE200-200W24-4TD	MV-LE200-120W24-4TD
<b>Performance</b>		
Drive mode	Digital, constant voltage	
Lighting mode	Continued, trigger	
PWM frequency	125 kHz	
Flash output	Not supported	
Channel	4-channel	
Dimming mode	Control panel (via pressing button), software (serial port or network interface)	
Brightness level	0 to 255	
Lighting response time	< 10 $\mu$ s	
Trigger mode	External trigger and internal trigger	
Communication protocol	UDP, Serial	
Applicable product	Ring lighting, bar lighting, flat lighting, coaxial lighting, etc.	
<b>Electrical feature</b>		
Input voltage	100 VAC to 240 VAC, 50 Hz/60 Hz	
Input current	1.8 A (115 VAC), 1A (230 VAC)	2.1 A (115 VAC), 1.2 A (230 VAC)
Output voltage	24 VDC	
Output current	Max. 8.3 A	Max. 5 A
Output power	Max. 200 W	Max. 120 W
Output current for each channel	Max. 3 A	
Trigger in	High level 4.5 VDC to 24 VDC, low level 0 VDC to 2 VDC	
Trigger out	High level 10 VDC to 24 VDC, low level 0 VDC to 2 VDC	
<b>Mechanical</b>		
Power supply interface	C13 220 VAC interface	
Console interface	RJ45 network interface, DB9F serial port	
Digital I/O	Opto-isolated input $\times$ 4, opto-isolated output $\times$ 4	
Lighting output connector	SMR-03V-BC	
Dimension	130 mm $\times$ 83.8 mm $\times$ 169.5 mm (5.1" $\times$ 3.3" $\times$ 6.7")	
Shell material	Plastic	
Weight	Approx. 733 g (1.6 lb.)	
Temperature	Working temperature: 0 $^{\circ}$ C to 40 $^{\circ}$ C (32 $^{\circ}$ F to 104 $^{\circ}$ F) Storage temperature: -20 $^{\circ}$ C to 60 $^{\circ}$ C (-4 $^{\circ}$ F to 140 $^{\circ}$ F)	
Humidity	20% to 85% RH, non-condensing	
Ingress protection	IP30	
Cooling mode	Fan cooling	
<b>General</b>		
Certification	CE, KC	

## Specification

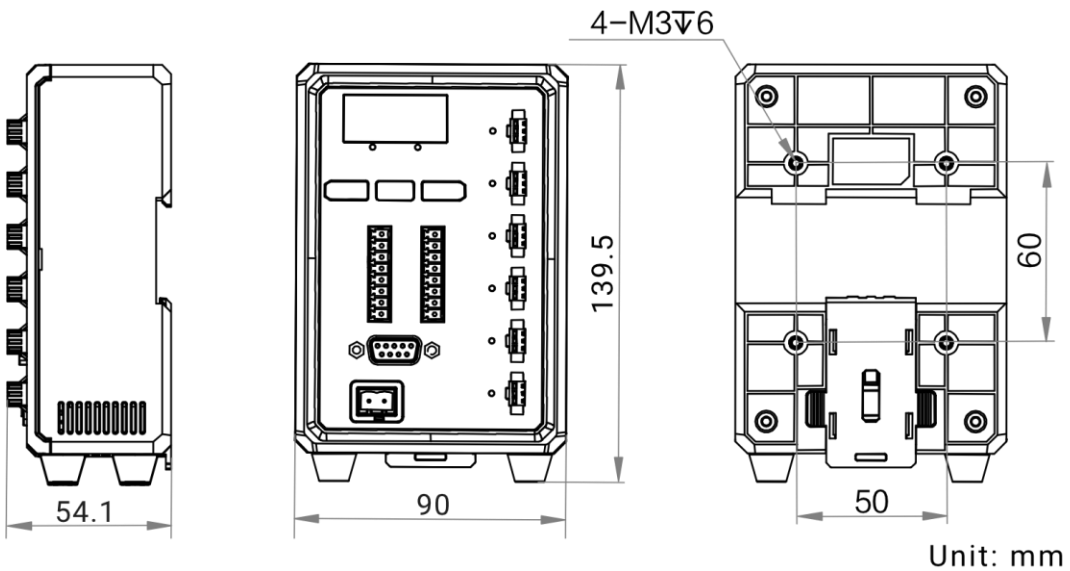
Model	MV-LE200-90W24-6D	MV-LE200-48W24-2D
<b>Performance</b>		
Drive mode	Digital, constant voltage	
Lighting mode	Continued, trigger	
PWM frequency	125 kHz	
Flash output	Not supported	
Channel	6-channel	2-channel
Dimming mode	Control panel (via pressing button), software (serial port)	
Brightness level	0 to 255	
Lighting response time	< 10 $\mu$ s	
Trigger mode	External trigger and internal trigger	
Communication protocol	Serial	
Applicable product	Ring lighting, bar lighting, flat lighting, coaxial lighting, etc.	
<b>Electrical feature</b>		
Input voltage	24 VDC	
Input current	4.7 A	2.5 A
Output voltage	24 VDC	
Output current	Max. 3.75 A	Max. 2 A
Output power	Max. 90 W	Max. 48 W
Output current for each channel	Max. 3 A	Max. 2 A
Trigger in	High level 4.5 VDC to 24 VDC, low level 0 VDC to 2 VDC	
Trigger out	High level 10 VDC to 24 VDC, low level 0 VDC to 2 VDC	
<b>Mechanical</b>		
Power supply interface	5.08 mm $\times$ 2 terminal block	
Console interface	DB9F serial port	
Digital I/O	Opto-isolated input $\times$ 6 Opto-isolated output $\times$ 2	Opto-isolated input $\times$ 2 Opto-isolated output $\times$ 2
Lighting output connector	SMR-03V-BC	
Dimension	90 mm $\times$ 54.1 mm $\times$ 139.5 mm (3.5" $\times$ 2.1" $\times$ 5.5")	
Shell material	Plastic	
Weight	Approx. 205 g (0.5 lb.)	Approx. 188 g (0.4 lb.)
Temperature	Working temperature: 0 $^{\circ}$ C to 40 $^{\circ}$ C (32 $^{\circ}$ F to 104 $^{\circ}$ F) Storage temperature: -20 $^{\circ}$ C to 60 $^{\circ}$ C (-4 $^{\circ}$ F to 140 $^{\circ}$ F)	
Humidity	20% to 85% RH, non-condensing	
Ingress protection	IP30	
Cooling mode	Natural cooling	
<b>General</b>		
Certification	CE, KC	

## Dimension

MV-LE200-200W24-4TD & MV-LE200-120W24-4TD:



MV-LE200-90W24-6D:



MV-LE200-48W24-2D:

