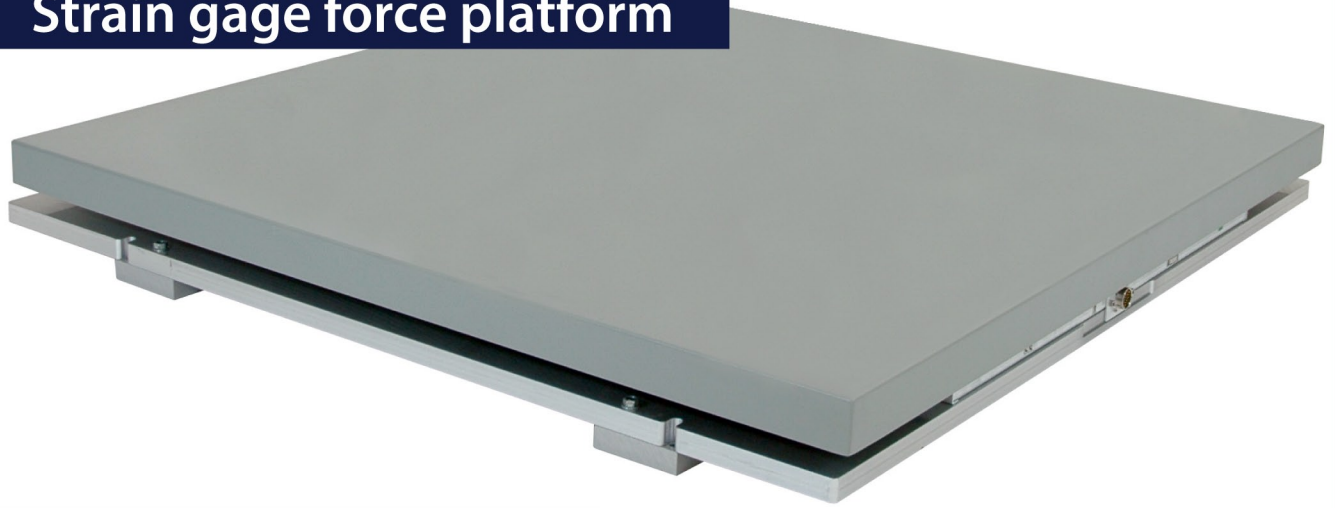
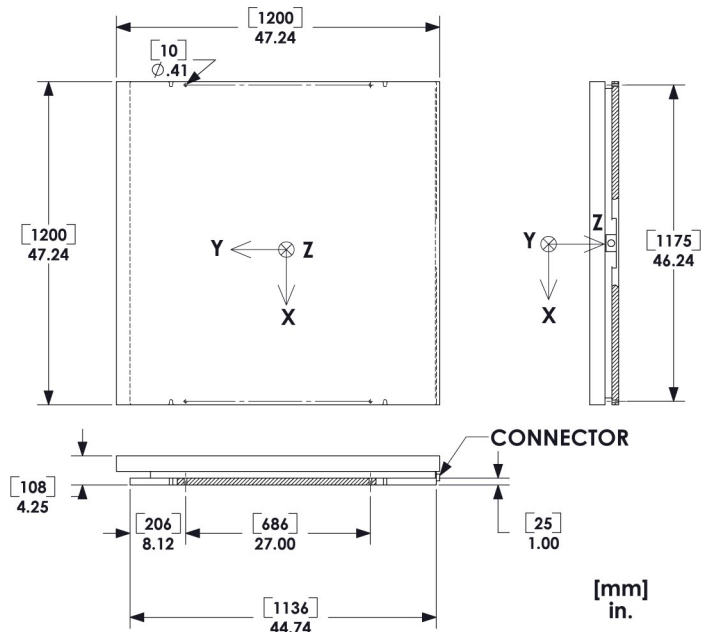


BP1200X1200

Strain gage force platform



Specifications	1000	2000	4000
Fz Capacity, lb (N)	1000 (4450)	2000 (8900)	4000 (17800)
Fx, Fy Capacity, lb (N)	500 (2225)	1000 (4450)	2000 (8900)
Mz Capacity, in-lb (Nm)	12000 (1356)	24000 (2712)	48000 (5423)
Mx, My Capacity, in-lb (Nm)	24000 (2712)	48000 (5423)	96000 (10847)
Fz Natural Frequency, Hz	350	390	420
Fx, Fy Natural Frequency, Hz	170	200	500
Fz Sensitivity	0.75 (0.17)	0.38 (0.09)	0.19 (0.04)
Fx, Fy Sensitivity ($\mu\text{v/v-lb}$)	3.0 (0.68)	1.5 (0.34)	0.75 (0.17)
Mz Sensitivity ($\mu\text{v/v-lb}$)	0.17 (1.52)	0.08 (0.72)	0.04 (0.36)
Mx, My Sensitivity ($\mu\text{v/v-lb}$)	0.08 (0.72)	0.04 (0.36)	0.02 (0.18)
Top Plate Material	Composite		
Temperature Range	0 to 125 F (-18 to 52 C)		
Sensing Elements	Strain gage bridge		
Amplifier	Required		
Analog Outputs	Six channels		
Digital Outputs	None		



AMTI
FORCE AND MOTION

www.AMTI.biz 617-926-6700