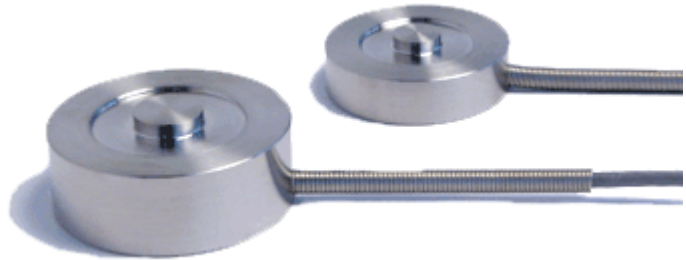


# LOW PROFILE COMPRESSION ONLY LOAD BUTTON LOAD CELL

## LBO SERIES LOAD CELL

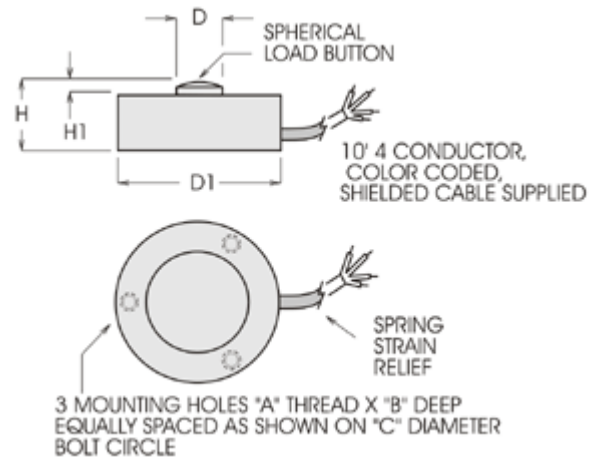
**CAPACITY RANGES:**  
**100, 250, 500, 750, 1,000, 2,000, 3,000,**  
**5,000, 10,000, 15,000, 20,000, 30,000,**  
**50,000 LBS.**

The LBO Series (Load Button) load cells are offered for compression only applications where space is limited. Matching surface must be flat and at least the diameter of (D1). The loading diameter (D2) is slightly convex for accurate load distribution. Threaded mounting holes are provided on the bottom surface for fastening down from beneath. These sensors are manufactured from heat treated 17-4ph stainless steel and sealed for use in most industrial



### SPECIFICATIONS

Rated Output (R.O.): 2 mV/V nominal  
 Nonlinearity: 0.25% of R.O.  
 Hysteresis: 0.25% of R.O.  
 Nonrepeatability: 0.1% of R.O.  
 Zero Balance: 1.0% of R.O.  
 Compensated Temp. Range: 60° to 160°F  
 Safe Temp. Range: -65° to 200°F  
 Temp. Effect on Output: 0.005% of Load/°F  
 Temp. Effect on Zero: 0.01% of R.O./°F  
 Terminal Resistance: 350 ohms nominal  
 Excitation Voltage: 10 VDC  
 Safe Overload: 150% of R.O.



### DIMENSIONS (INCHES)

MODEL	CAPACITY LBS.	D DIA.	D1 DIA.	H	H1	BUTTON RADIUS	A THREAD UNC	B THREAD DEPTH	C BOLT CIRCLE	NATURAL RINGING FREQUENCY HZ	DEFLECTION	WT. LBS.
LBO-100A	100	.21	1.000	.40	.05	2.0	4-40	.22	.750	25,000	.001	1.0
LBO-100	100	.32	1.240	.40	.07	2.0	6-32	.22	1.000	25,000	.001	1.2
LBO-250	250	.32	1.240	.40	.07	2.0	6-32	.25	1.000	25,000	.001	1.2
LBO-500	500	.32	1.240	.40	.07	2.0	6-32	.25	1.000	28,000	.001	1.2
LBO-750	750	.32	1.240	.40	.07	2.0	6-32	.25	1.000	25,000	.001	1.2
LBO-1K	1,000	.32	1.240	.40	.07	2.0	6-32	.25	1.000	32,000	.001	1.3
LBO-2K	2,000	.32	1.240	.40	.07	2.0	6-32	.25	1.000	25,000	.001	1.3
LBO-3K	3,000	.45	1.490	.62	.08	4.0	6-32	.25	1.250	28,000	.002	3.0
LBO-5K	5,000	.45	1.490	.62	.08	4.0	6-32	.25	1.250	22,000	.002	3.0
LBO-10K	10,000	.45	1.490	.62	.08	4.0	6-32	.25	1.250	24,000	.002	3.0
LBO-15K	15,000	.60	1.990	1.00	.12	6.0	6-32	.25	1.625	20,000	.002	8.0
LBO-20K	20,000	.60	1.990	1.00	.12	6.0	6-32	.25	1.625	20,000	.002	9.0
LBO-30K	30,000	.60	1.990	1.00	.12	6.0	6-32	.25	1.625	15,500	.002	9.0
LBO-50K	50,000	.80	2.990	1.50	.18	6.0	6-32	.25	2.375	10,000	.003	33.0