

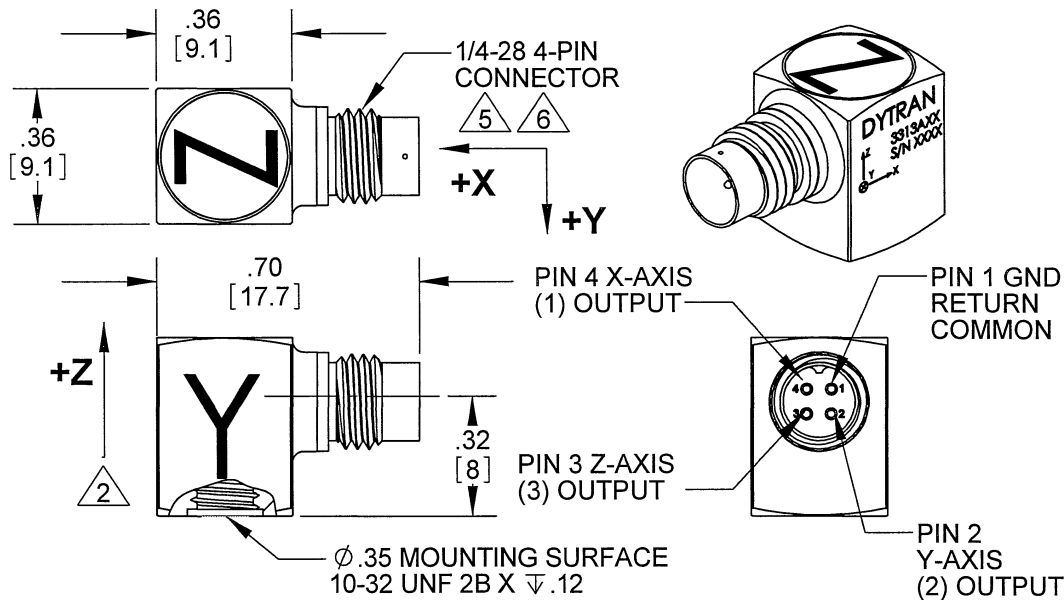
PROPRIETARY AND CONFIDENTIAL

THE INFORMATION CONTAINED IN THIS DRAWING IS THE SOLE PROPERTY OF DYTRAN INSTRUMENTS INC. ANY REPRODUCTION IN PART OR AS A WHOLE WITHOUT THE WRITTEN PERMISSION OF DYTRAN INSTRUMENTS, INC. IS PROHIBITED

REVISIONS

REV.	ECN	DESCRIPTION	BY/DATE	CHK	APPR
A	6660	INITIAL RELEASE	JS 06/15/10	ANS	

MODEL	SENSITIVITY	OPERATING TEMPERATURE
3313A1	1mV/g	-60° TO 250° F
3313A2	5mV/g	-60° TO 250° F
3313A3	10 mV/g	-60° TO 250° F
3313A1H	1mV/g	-60° TO 325° F
3313A2H	5mV/g	-60° TO 325° F
3313A3H	10mV/g	-60° TO 325° F



7 RECOMMENDED MOUNTING TORQUE 6-8 lb-in.

6 3313AXH MATES WITH DYTRAN 6811AXX CABLE (XX= LENGTH IN FEET)

5 3313AX MATES WITH DYTRAN 6811AXX OR 6824AXX CABLE (XX= LENGTH IN FEET)

4. SENSITIVITY: SEE CHART

3. WEIGHT: 4 GRAMS APPROX.

2 ARROWS INDICATE ACCELERATION DIRECTION FOR POSITIVE OUTPUT

1. MATERIAL: TITANIUM ALLOY

NOTES: UNLESS OTHERWISE SPECIFIED

MOUNTING RECOMMENDATIONS:
PREPARE SURFACE AT LEAST Ø.45 [11.4]
SURFACE FLATNESS MUST BE EQUAL OR BETTER THAN .001 TIR.
TAP 10-32UNF-2B ∇ .120 [3] MIN

USED ON	NEXT ASSY
APPLICATION	
THIRD ANGLE PROJECTION USA	

UNLESS OTHERWISE SPECIFIED:
INTERPRET DIM & TOL PER ASME Y14.5M - 1994.
REMOVE BURRS.
COUNTERSINK INTERNAL THDS 90° TO MAJOR DIA.
CHAM EXT THDS 45° TO MINOR DIA.
THD LENGTHS AND DEPTHS ARE FOR MIN FULL THDS.
THDS PER MIL-S-7742.
DIMENSIONS APPLY AFTER FINISHING.
ALL MACHINED SURFACES.
TOTAL RUNOUT WITHIN .005.
BREAK SHARP EDGES .005 TO .010.
MACHINED FILLET RADII .005 TO .015.
WELDING SYMBOLS PER AWS A2.4.
ABBREVIATIONS PER MIL-STD-12.

UNLESS OTHERWISE SPECIFIED:
DIMENSIONS ARE IN INCHES.
DIMENSIONS IN BRACKETS [] ARE IN MILLIMETERS
TOLERANCES ARE:
INCHES METRIC ANGLES
.XX ± .03 .X ± 0.8 ± 1°
.XXX ± .010 .XX ± 0.25

MATERIAL

FINISH

DO NOT SCALE DRAWING

CONTRACT NO.		
APPROVALS		DATE
ORIG	JS	06/04/10
CHK	ANS	7/13/10
APP	DV	7/13/10
APP		

DYTRAN INSTRUMENTS, INC. Chatsworth, CA

MASTER ONLY IF IN RED

TITLE: **OUTLINE/INSTALLATION DRAWING 3313A**

SIZE	CAGE CODE	DWG. NO.	REV
A	2W033	127-3313A	A

SCALE: 2:1 SOLIDWORKS SHEET 1 OF 1

Model Number 3313A2H	PERFORMANCE SPECIFICATION	DOC NO PS3313A2H
	TRIAxIAL IEPE ACCELEROMETER	REV D, ECN 10552, 11/14/13



- **WEIGHT ONLY 4 GRAMS**
- **EXCELLENT LINEARITY**
- **HIGH TEMPERATURE**
- **HERMETICALLY SEALED**

PHYSICAL

Weight, Max
Connector
Mounting Provision
Material : Housing / Connector
Element Style

Tapped Hole

ENGLISH		SI	
0.14	oz	4.1	grams
1/4-28, 4 - Pin		1/4-28, 4 - Pin	
10-32		10-32	
Titanium		Titanium	
Quartz Planar Shear		Quartz Planar Shear	

PERFORMANCE

Sensitivity, ±10% [1]
Range F.S (each axis)
Frequency Response, ± 15%
Equivalent Natural Frequency
Equivalent Electrical Noise, Max
Linearity [2]
Maximum Transverse sensitivity
Signal Polarity [3]

5	mV/g	0.51	mV/m/s ²
±1000	g	±9810	m/s ²
1.2 to 10000	Hz	1.2 to 10000	Hz
> 30	kHz	> 30	kHz
0.009	grms	0.09	m/s ² rms
± 1	% F.S.	± 1	% F.S.
5	%	5	%
Positive		Positive	

ENVIRONMENTAL

Maximum Vibration
Maximum Shock
Temperature Range
Seal
Base Strain

± 2000	g's, peak	± 19620	m/s ² , peak
±5000	g's, peak	± 49050	m/s ² , peak
-60 to +325	°F	-51 to +162	°C
Hermetic		Hermetic	
0.006	g/με	0.06	m/s ² /με

Electrical

Supply Current Range
Compliance (Supply) Voltage Range
Output Impedence, Typ
Bias Voltage
Discharge Time Constant
Ground Isolation

2 to 20	mA	2 to 20	mA
+ 18 to +30	Volts	+ 18 to +30	Volts
100	Ω	100	Ω
+7 to +9	VDC	+7 to +9	VDC
0.2 to 1.0	Sec	0.2 to 1.0	Sec
Case Ground		Case Ground	

This family also includes:

Model	Sensitivity (mV/g)	Range F.S (g)	Time Constant (sec)	Operating Temperature (°F)
3313A1H	1	± 5000	0.2 to 1.0	-60 to +325
3313A3H	10	± 500	0.2 to 1.0	-60 to +325

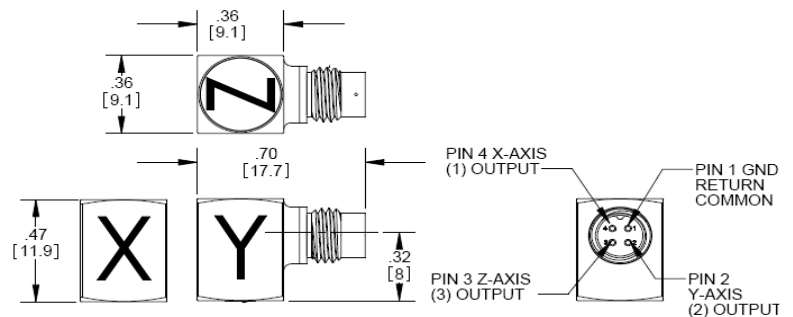
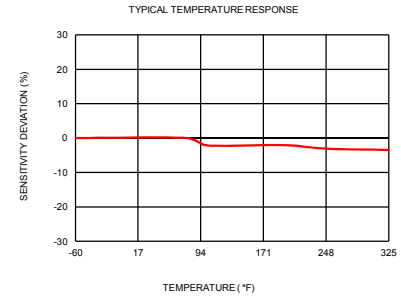
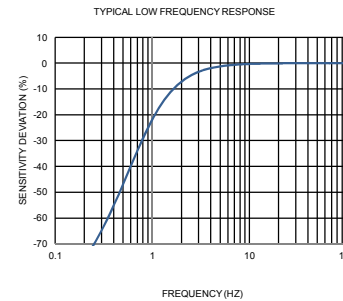
Please, refer to the performance specifications of the products in this family for detailed description

Supplied Accessories:

- 1) Accredited calibration certificate (ISO 17025)
- 2) Model 6200 mounting stud

Notes:

- [1] Measure at 100Hz, 1 grms per ISA RP 37.2
- [2] Measure using zero-based straight line method, % of F.S. or any lesser range.
- [3] For motion in direction of arrows on housing.
- [4] Do not apply power to this system without current limiting, 20 mA MAX. To do so will destroy the IC charge amplifier.
- [5] In the interest of constant product improvement, we reserve the right to change specifications without notice.
- [6] Mates with Dytran 6811AXX (XX = Length in feet)



Units on the line drawing are in inches. Refer to 127-3313AH for more information.



21592 Marilla Street, Chatsworth, California 91311 Phone: 818.700.7818 Fax: 818.700.7880 www.dytran.com
For permission to reprint this content, please contact info@dytran.com



Presented by: Absolute Gauge Technologies
sales@absolutegauge.com; www.absolutegauge.com,
Toronto: 416 754 3168, Montreal: 514 695 5147, Toll Free: 1 888 754 7008