

MV-CL083-92CC

8192 P Camera Link Line Scan Camera



GEN*i*CAM



Introduction

MV-CL083-92CC camera adopts CMOS sensor to provide high quality images, uses Camera Link interface to transmit images in real time, and its max. line rate reaches 33.7 kHz in full resolution. It supports RGB true color and multiple ISP technologies.

Key Feature

- Adopts multiple ISP technologies and supports manual adjustment for Gamma correction, FFC correction, LUT, black level, etc.
- Supports RGB true color, multiple exposure and image acquisition modes.
- Supports ROI to increase line rate.
- Supports bi-directional I/O wiring for flexible input/output settings.
- Compact design and flexible installation.
- Compatible with Camera Link Protocol and GenICam Standard.

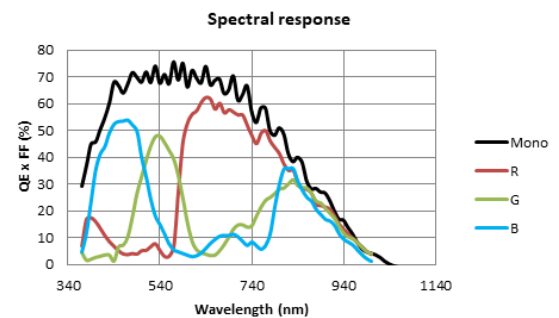
Available Model

MV-CL083-92CC

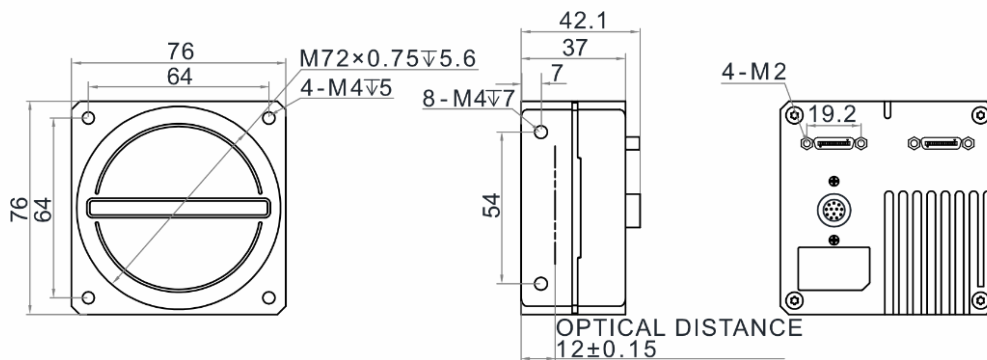
Applicable Industry

New energy, screen detection, consumer electronics, PCB, metallurgy, etc.

Sensor Quantum Efficiency



Dimension



Unit: mm



Specification

Model	MV-CL083-92CC
Camera	
Sensor type	CMOS
Pixel size	7 µm
Resolution	8192 × 3
Image mode	Supports 1-line
Max. line rate	10.1 kHz (Base), 20.2 kHz (Medium), 33.7 kHz (80-bit) Increases line rate via ROI: Max. 66.6 kHz (4140 resolution and below)
Configuration mode	Base, Medium, 80-bit
Tap geometry	1 × 1, 1 × 2, 1 × 10
Tap number	1 Tap, 2 Taps, 10 Taps
Pixel clock	40 MHz, 66 MHz, 80 MHz, 85 MHz
Dynamic range	63.4 dB
SNR	40.8 dB
Gain	Supports 1.0 ×
Exposure time	3 µs to 10 ms
Exposure mode	Off/ Once/ Continuous exposure mode; supports fixed time exposure, trigger-width exposure
Mono/color	Color
Pixel format	Mono 8/12, RGB 8, BGR 8
Binning	Supports 1 × 1, 2 × 2, 4 × 4
Reverse image	Supports horizontal reverse image output
Trigger mode	External trigger, internal trigger
External trigger mode	Line trigger, frame trigger, line + frame trigger
Electrical features	
Data interface	Camera Link; USB interface for updating firmware
Digital I/O	12-pin P10 connector provides power and I/O: configurable input/output × 4 (Line 0/1/3/4) and support single-ended/differential. Camera Link provides I/O (CC1/CC2/CC3/CC4).
Power supply	12 VDC to 24 VDC
Power consumption	Typ. 9.9 W@12 VDC
Mechanical	
Lens mount	M72*0.75, optical back focal length: 12 mm (0.5"), applicable to F-mount via lens adapter
Dimension	76 mm × 76 mm × 42.1 mm (3.0" × 3.0" × 1.7")
Weight	Approx. 320 g (0.7 lb.)
Ingress protection	IP40 (under proper lens installation and wiring)
Temperature	Working temperature: -20 °C to 55 °C (-4 °F to 131 °F) Storage temperature : -30 °C to 80 °C (-22 °F to 176 °F)
Humidity	5% to 90% RH, non-condensing
General	
Client software	MVS and frame grabber software meeting with Camera Link Protocol
Operating system	32/64-bit Windows 7/10
Compatibility	Camera Link V1.2, GenICam
Certification	CE, RoHS2.0, KC

HIKROBOT

Hangzhou Hikrobot Co., Ltd.
en.hikrobotics.com

© Hangzhou Hikrobot Co., Ltd. All Rights Reserved.

Hangzhou Hikrobot does not tolerate any infringement. Any organization or individual may not imitate or reproduce in whole or in part of the content. The data herein is based on Hikrobot's internal evaluation. Actual data may vary depending on specific configuration and operating condition. The information herein is subject to change without notice. All the content has been checked conscientiously. Nevertheless, Hikrobot shall not be liable to damages resulting from errors, inconsistencies or omissions.