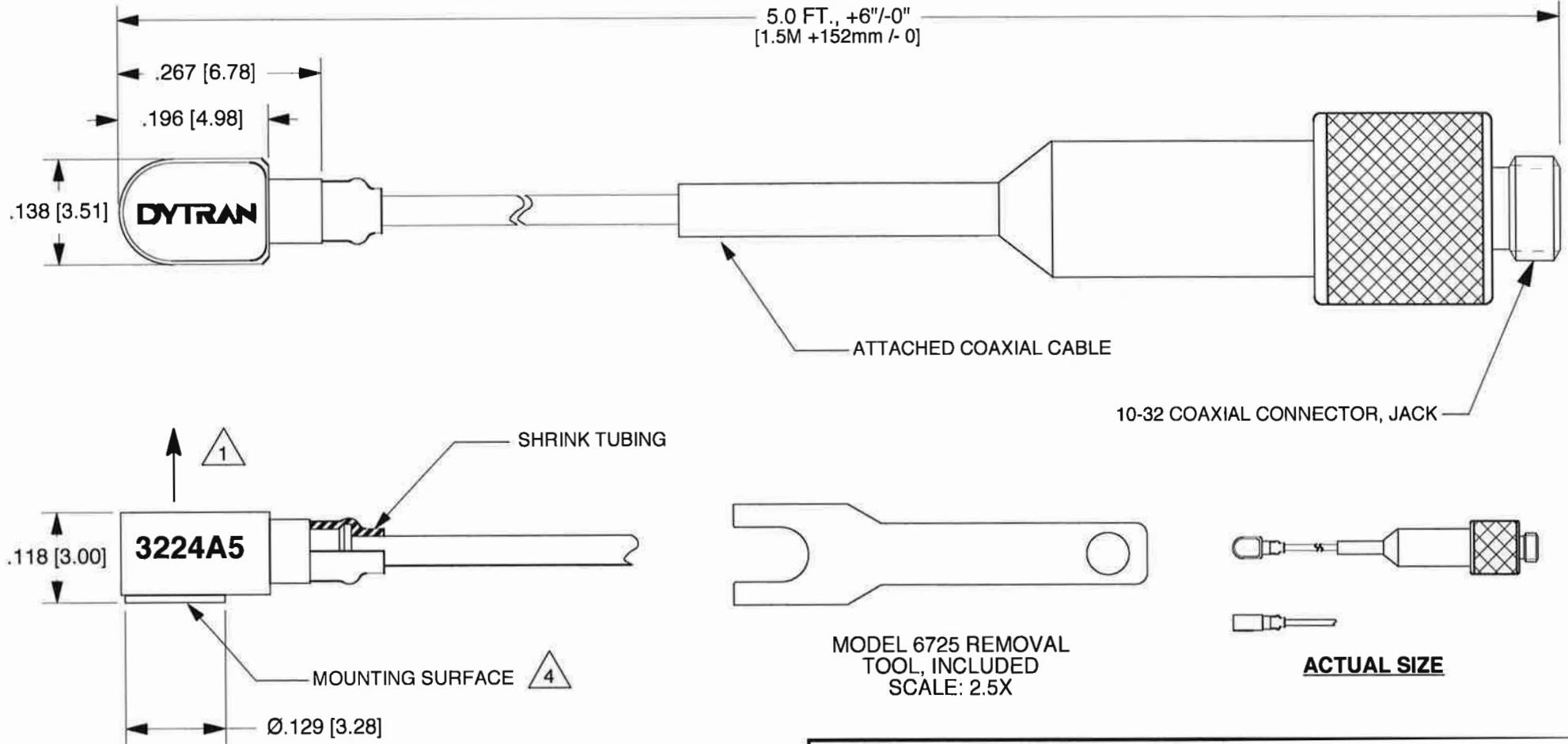


DYTRAN PROPRIETARY AND CONFIDENTIAL  
 THE INFORMATION CONTAINED IN THIS DRAWING  
 DYTRAN INSTRUMENTS, INC. AND ANY REPRODUCTION  
 WHOLE OR ANY OTHER DISSEMINATION OF THIS  
 WRITTEN PERMISSION OF DYTRAN INSTRUMENTS, INC. IS PROHIBITED.

REV	ECN	DESCRIPTION	BY/DATE	CHK	APPR
A	11128	INITIAL RELEASE	JS 07/08/14		



Presented by: Absolute Gauge Technologies  
 sales@absolute-gauge.com; www.absolute-gauge.com,  
 Toronto: 416 754 3168, Montreal: 514 695 5147, Toll Free: 1 888 754 7008



- 4. APPLY ADHESIVE TO THIS SURFACE TO MOUNT.
- 3. CASE AND CONNECTOR MATERIAL: TITANIUM.
- 2. WEIGHT LESS CABLE: 0.2 GRAMS.
- 1. ARROW INDICATES SENSE AND DIRECTION OF INPUT ACCELERATION FOR POSITIVE GOING OUTPUT SIGNAL.

UNLESS OTHERWISE SPECIFIED:  
 DIMENSIONS ARE IN INCHES.  
 DIMENSIONS IN BRACKETS  
 MILLIMETERS.  
 TOLERANCES

INCHES	METRIC	
.XX ±.03	.X ±0.8	±1°
.XXX ±.005	.XX ±0.25	

**DYTRAN INSTRUMENTS, INC.**

SCALE 5X	DESIGN N.C.	DATE 1/15/08		
JS	DATE 07/08/14	MODEL 3224A5		REV A

**OUTLINE/INSTALLATION DRAWING,  
 MODEL 3224A5 ACCELEROMETER, 10 mV/g**

**127-3224A5**

SHEET 1 OF 1

<b>MODEL NUMBER</b> <b>3224A5</b>	<b>PERFORMANCE SPECIFICATION</b>	<b>DOC NO.</b> <b>PS3224A5</b>
--------------------------------------	----------------------------------	-----------------------------------

**IEPE ACCELEROMETER**

REV B, ECN 11378, 10/14/14



- **MINIATURE SIZE**
- **HIGH SENSITIVITY**
- **EPOXY SEALED CABLE CONNECTION**

**This family also includes:**

Model	Sensitivity (mV/g)	Range (Gpeak)	Resolution (Grms)	Oper. Temp.(°F)	TC (sec)
3224A2	2 to 5	2500	0.03	-60 to 300	0.3 to 1.0
3224A3	5 to 10	1000	0.037	-60 to 300	1.1 to 1.5
3224A4	1 to 2.5	5000	0.045	-60 to 300	0.3 to 1.0

Please, refer to the performance specifications of the products in this family for detailed description.

**Supplied Accessories:**

- 1) Model 6725 installation removal wrench.
- 2) Sample of " Small Petro Mounting Wax".
- 3) Accredited calibration certificate (ISO 17025)

**Notes:**

- [1] Flat mounting surface for adhesive mount.
- [2] 10-32 Jack at end of integral 5FT.cable
- [3] Measured at 100 Hz, 1 g rms per ISA RP 37.2.
- [4] Actual sensitivity is given on a calibration certificate traceable to ISO 17025, supplied with each instrument
- [5] Measured using zero-based best straight-line method.
- [6] Do not apply power to this device without current limiting, 20 mA MAX. To do so will destroy the integral IC amplifier.
- [7] Case is grounded to electrical signal/power ground.

**PHYSICAL**

	ENGLISH		SI	
Weight, Less Cable	0.007	oz	0.2	grams
Mounting Provision	[1]		[1]	
Connector [2]	Integral cable		Integral cable	
Case Material	Titanium		Titanium	
Sensing Element	Planar Shear Piezoceramic		Planar Shear Piezoceramic	

**PERFORMANCE**

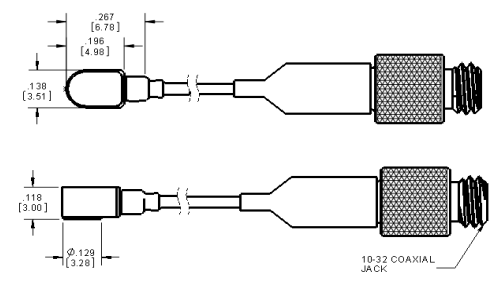
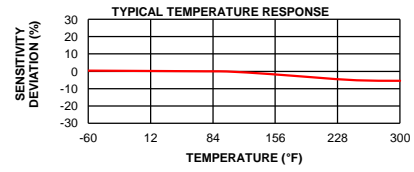
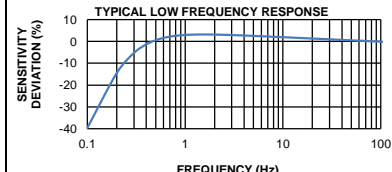
	ENGLISH		SI	
Sensitivity [3] [4]	9 to 14	mV/g	.9 to 1.4	mV/ m/s <sup>2</sup>
Range F.S. For ± 5 Volts Output	± 500	g	± 4905	m/s <sup>2</sup>
Frequency Response, ±10%	0.3 to 20000	Hz	0.3 to 20000	Hz
Resonant Frequency, NOM	>95	kHz	>95	kHz
Equivalent Electrical Noise Floor	0.023	g rms	0.225	m/s <sup>2</sup> rms
Amplitude Non-Linearity [5]	± 2%	%F.S	± 1%	%F.S
Transverse Sensitivity, Max.	5%		5%	
Strain Sensitivity @250µε	0.14	g/µε	1.37	m/s <sup>2</sup> /µε

**ENVIRONMENTAL**

	ENGLISH		SI	
Maximum Vibration	900	grms	8820	m/s <sup>2</sup> rms
Maximum Shock	3000	±gpk	29400	± m/s <sup>2</sup> pk
Temperature Range	-60 to +300	°F	-51 to 149	°C
Seal	Laser welded, Epoxy Sealed Cable		Laser welded, Epoxy Sealed Cable	
Magnetic Sensitivity at 100 Gauss	0.000009	g/Gauss	0.8829	m/s <sup>2</sup> /T

**ELECTRICAL**

	ENGLISH		SI	
Supply Current [6]	2 to 20	mA	2 to 20	mA
Compliance Voltage Range	18 to +30	V	18 to +30	V
Output Impedance TYP	100	Ω	100	Ω
Bias Voltage	+8 to +10	VDC	+8 to +10	VDC
Discharge Time Constant	1.1 to 1.5	sec	1.1 to 1.5	sec
Output Signal Polarity for Acceleration Toward Top	Positive		Positive	
Case Grounding	[7]		[7]	



Units on the line drawing are in inches, units in brackets are in millimeters. Refer to 127-3224A1 for more information.

21592 Marilla Street, Chatsworth, California 91311 Phone: 818.700.7818 Fax:818.700.7880 www.dytran.com

For permission to reprint this content, please contact info@dytran.com



Presented by: Absolute Gauge Technologies  
 sales@absolutegauge.com; www.absolutegauge.com,  
 Toronto: 416 754 3168, Montreal: 514 695 5147, Toll Free: 1 888 754 7008