

MV-LBES-H

Flat Light with Hole

MV-LBES-H flat light with hole, with opening design (circular hole/square hole) on the basis of standard flat light, achieves high brightness and uniform forward lighting, which is available in models with a variety of dimensions.



Key Features

- Adopts high-density array LED design.
- Adopts middle opening design (circular hole/square hole) to achieve forward lighting.
- Provides side mounting lugs to achieve flexible installation.

Naming Rule

MV - LBES - H - 50 - 50 - W

LBES: flat light with hole

H: Hikvison style

50 - 50: emitting area length (mm)

W: white (supporting color customization)

Applicable Industry

Printing materials / surface defects of workpiece, character recognition, edge positioning of component contour, etc.

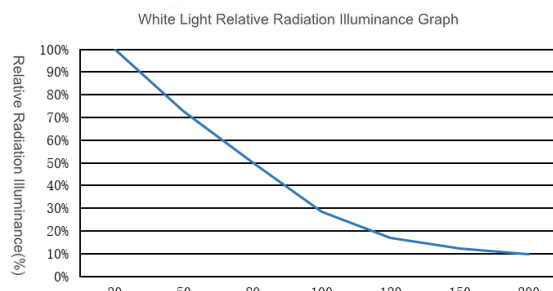
Illuminance Distribution

Image

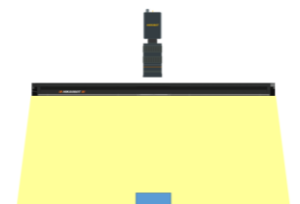


Relative Radiation Illuminance

Curve under White Light



Lighting



Specification

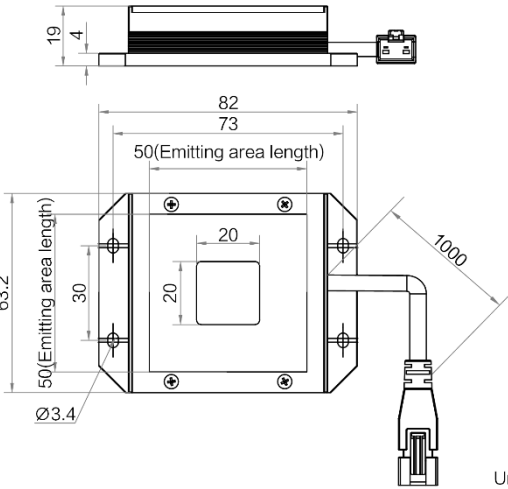
Model	Parameter	Performance		Mechanical			Electrical feature		
		Color	Center illuminance	Dimension	Emitting area dimension	Bore dimension	Weight	Power	Input voltage
MV-LBES-H-50-50-W	White	≥ 1000 lux @ 200 mm	82 mm × 63.2 mm × 19 mm	50 mm × 50 mm	20 mm × 20 mm	0.2 kg	2 W	24 VDC	SMR-03V-B
MV-LBES-H-100-100-W	White	≥ 7000 lux @ 200 mm	132 mm × 113 mm × 18 mm	100 mm × 100 mm	Φ40 mm	0.3 kg	11 W	24 VDC	SMR-03V-B
MV-LBES-H-120-120-W	White	≥ 9200 lux @ 200 mm	152 mm × 133 mm × 18 mm	120 mm × 120 mm	Φ40 mm	0.4 kg	16 W	24 VDC	SMR-03V-B
MV-LBES-H-150-150-W	White	≥ 14000 lux @ 200 mm	182 mm × 163 mm × 18 mm	150 mm × 150 mm	Φ45 mm	0.5 kg	25 W	24 VDC	SMR-03V-B
MV-LBES-H-200-200-W	White	≥ 27000 lux @ 200 mm	232 mm × 213 mm × 18 mm	200 mm × 200 mm	Φ45 mm	0.8 kg	48 W	24 VDC	SMR-03V-B
MV-LBES-H-250-150-W	White	≥ 22000 lux @ 200 mm	282 mm × 163 mm × 19 mm	250 mm × 150 mm	Φ50 mm	0.8 kg	41 W	24 VDC	SMR-03V-B
MV-LBES-H-250-200-W	White	≥ 25000 lux @ 200 mm	282 mm × 213 mm × 19 mm	250 mm × 200 mm	Φ60 mm	1 kg	53 W	24 VDC	SMR-03V-B
MV-LBES-H-250-250-W	White	≥ 28000 lux @ 200 mm	282 mm × 263 mm × 19 mm	250 mm × 250 mm	Φ50 mm	1.1 kg	59 W	24 VDC	SMR-03V-B
MV-LBES-H-250-250-R	Red	≥ 13000 lux @ 200 mm	282 mm × 263 mm × 19 mm	250 mm × 250 mm	Φ50 mm	1.1 kg	48 W	24 VDC	SMR-03V-B
MV-LBES-H-300-200-W	White	≥ 27000 lux @ 200 mm	332 mm × 213 mm × 19 mm	300 mm × 200 mm	Φ60 mm	1.2 kg	54 W	24 VDC	SMR-03V-B
MV-LBES-H-300-300-W	White	≥ 30000 lux @ 200 mm	338 mm × 315 mm × 21 mm	300 mm × 300 mm	80 mm × 80 mm	2 kg	74 W	24 VDC	12M-2A
MV-LBES-H-400-300-W	White	≥ 30000 lux @ 200 mm	438 mm × 315 mm × 21 mm	400 mm × 300 mm	Φ50 mm	2.7 kg	83 W	24 VDC	12M-2A
MV-LBES-H-450-320-W	White	≥ 16000 lux @ 600 mm	488 mm × 335 mm × 21 mm	450 mm × 320 mm	Φ70 mm	3.2 kg	198 W	24 VDC	Dual-channel 19M-2A
MV-LBES-H-600-400-W	White	≥ 13000 lux @ 600 mm	676 mm × 430 mm × 25 mm	600 mm × 400 mm	Φ50 mm	7.2 kg	174 W	24 VDC	Dual-channel 19M-2A
MV-LBES-H-620-620-W	White	≥ 18000 lux @ 600 mm	696 mm × 650 mm × 25 mm	620 mm × 620 mm	Φ50 mm	10 kg	267 W	24 VDC	Dual-channel 19M-2A

Specification

Parameter	Model
	Flat Light with Hole
Performance	
Wavelength	R: 625 nm
Color temperature	W: 6000K to 7000K
Mechanical	
Cable length	1 m
Cooling mode	Natural cooling
Temperature	Working temperature: 0 °C to 40 °C (32 °F to 104 °F) Storage temperature: -20 °C to 60 °C (-4 °F to 140 °F)
Humidity	20% RH to 90% RH (no condensation)
Diffuse plate included	Included

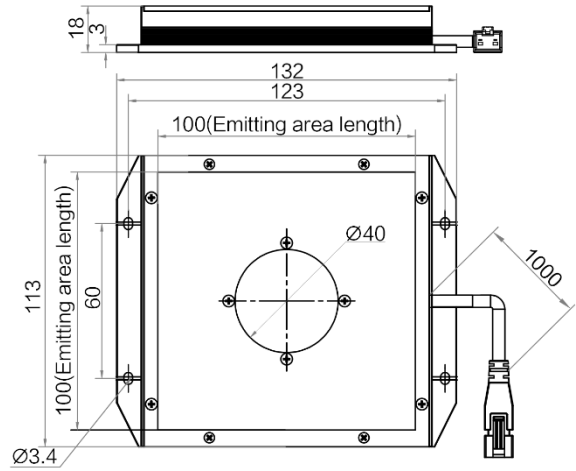
Dimension

MV-LBES-H-50-50-W



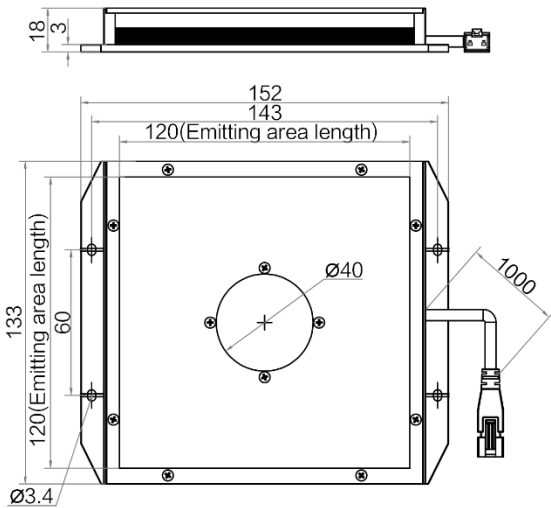
Unit: mm

MV-LBES-H-100-100-W



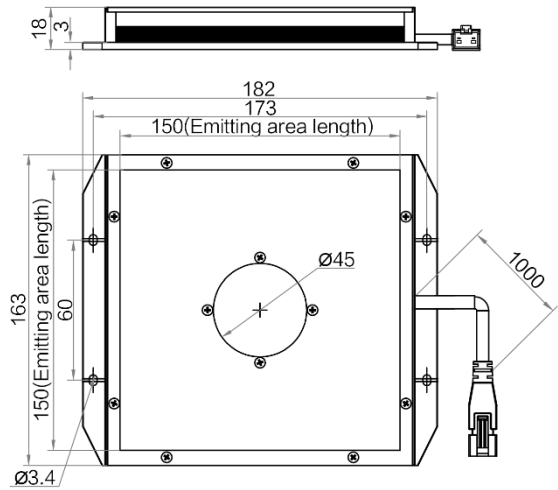
Unit: mm

MV-LBES-H-120-120-W



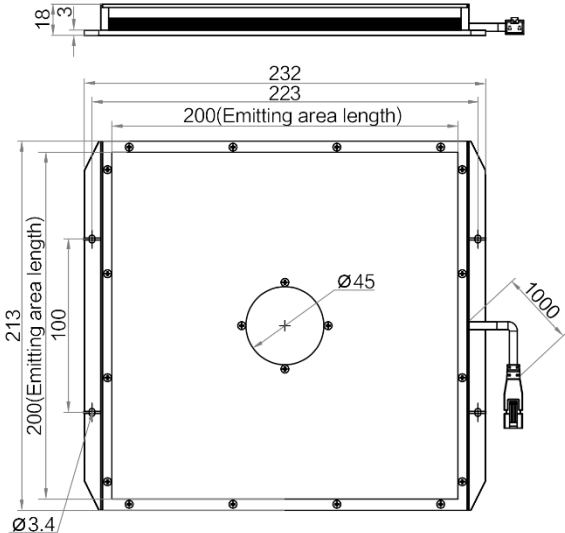
Unit: mm

MV-LBES-H-150-150-W



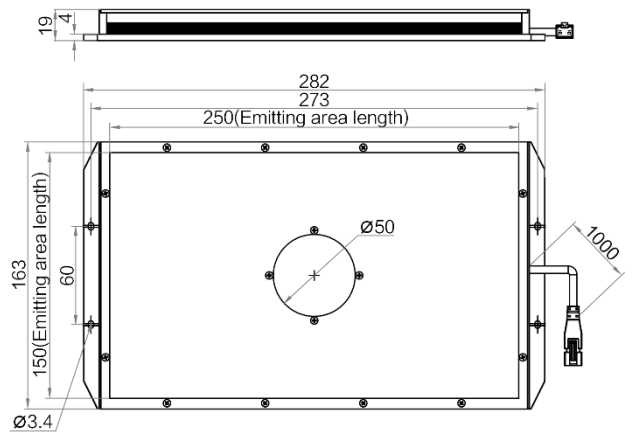
Unit: mm

MV-LBES-H-200-200-W



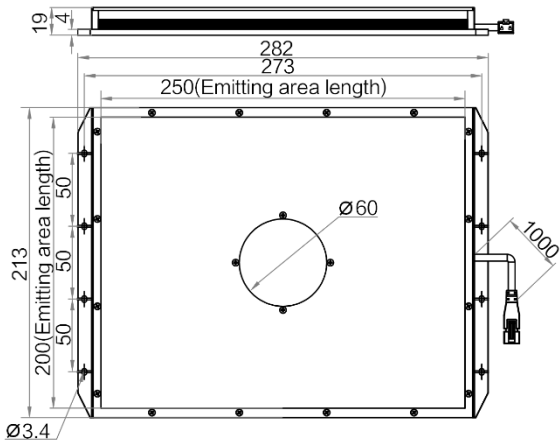
Unit: mm

MV-LBES-H-250-150-W



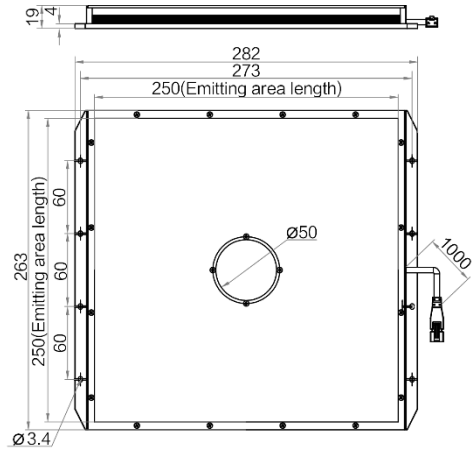
Unit: mm

MV-LBES-H-250-200-W



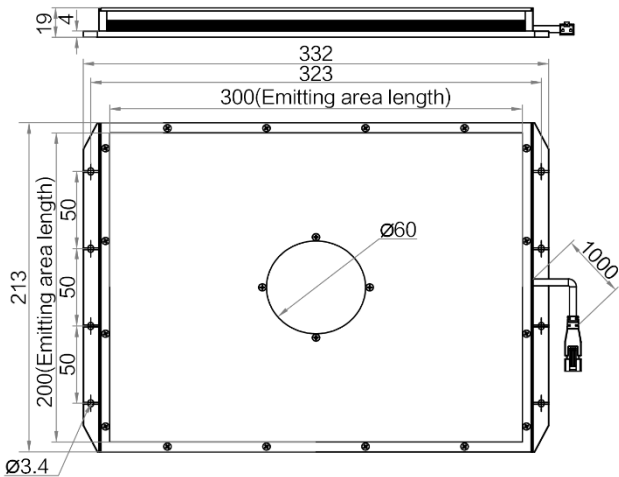
Unit: mm

MV-LBES-H-250-250-W/R



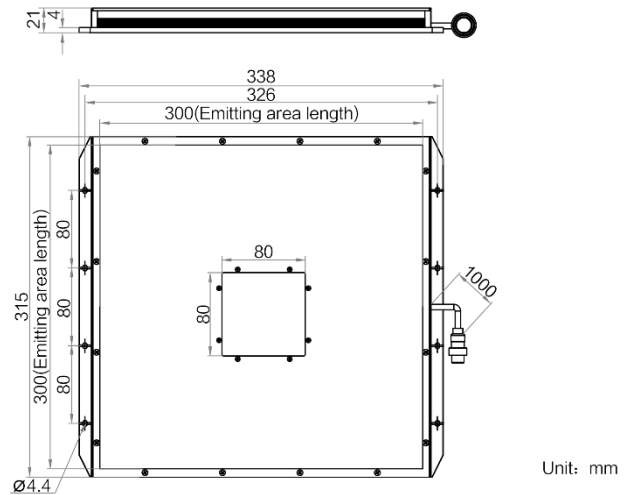
Unit: mm

MV-LBES-H-300-200-W



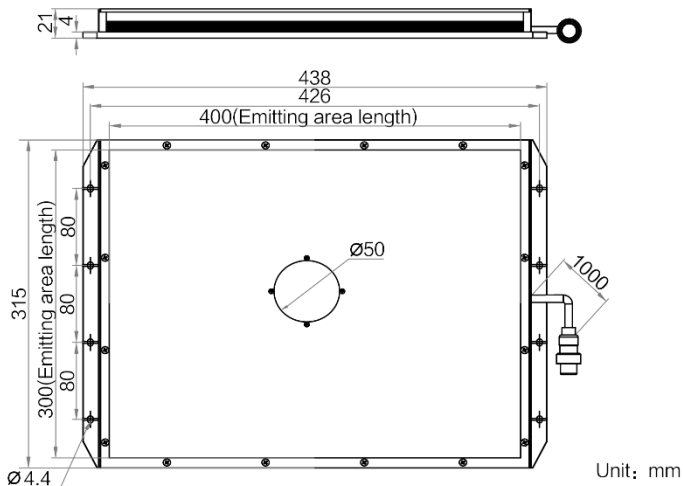
Unit: mm

MV-LBES-H-300-300-W



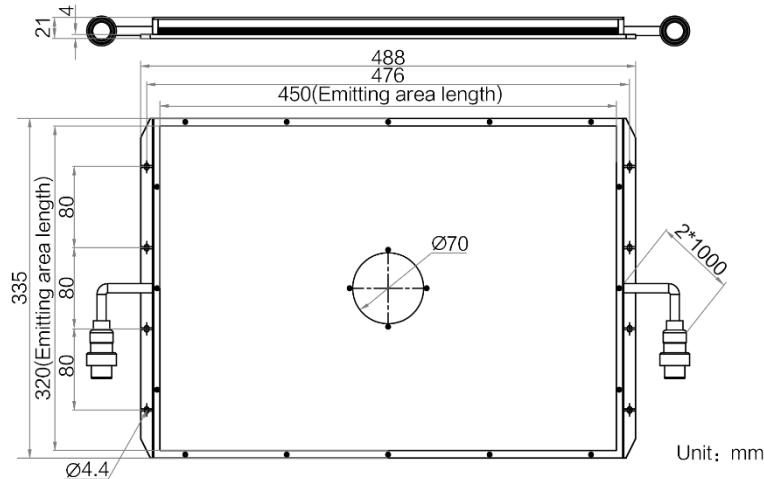
Unit: mm

MV-LBES-H-400-300-W



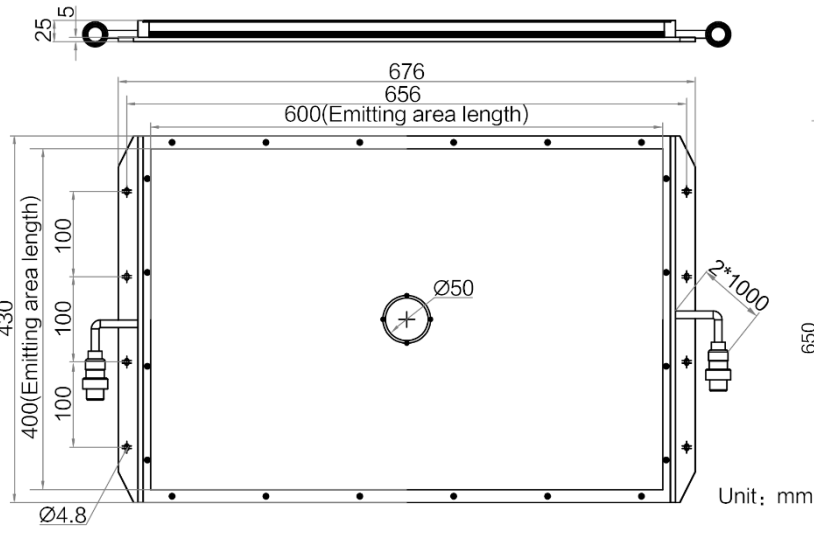
Unit: mm

MV-LBES-H-450-320-W

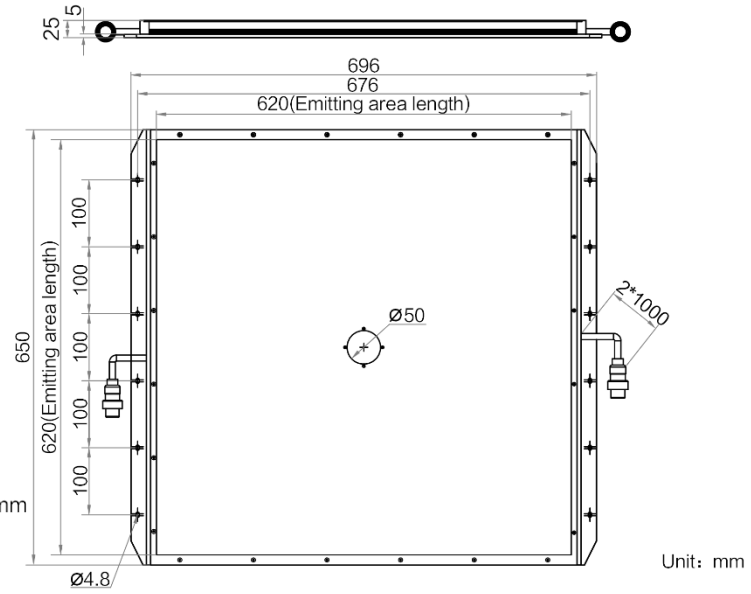


Unit: mm

MV-LBES-H-600-400-W



MV-LBES-H-620-620-W



HIKROBOT

Hangzhou Hikrobot Co. Ltd.
 en.hikrobotics.com