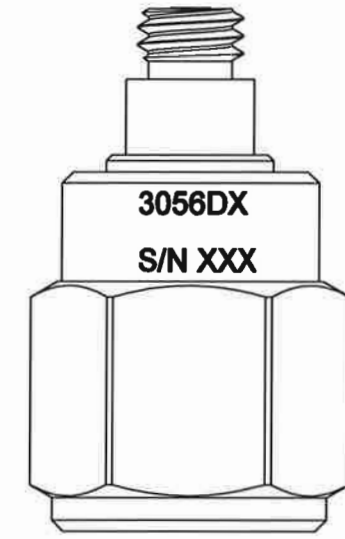
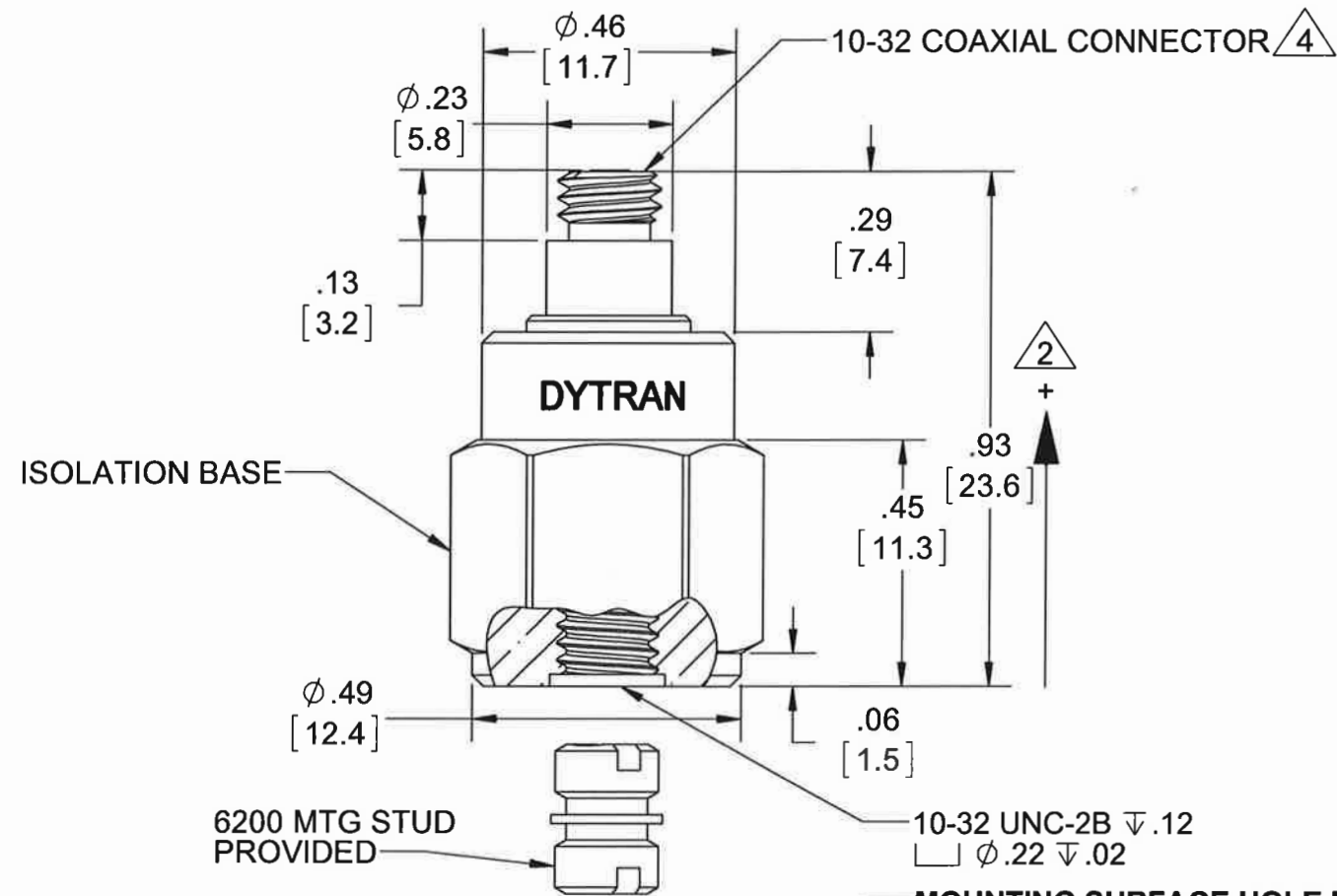
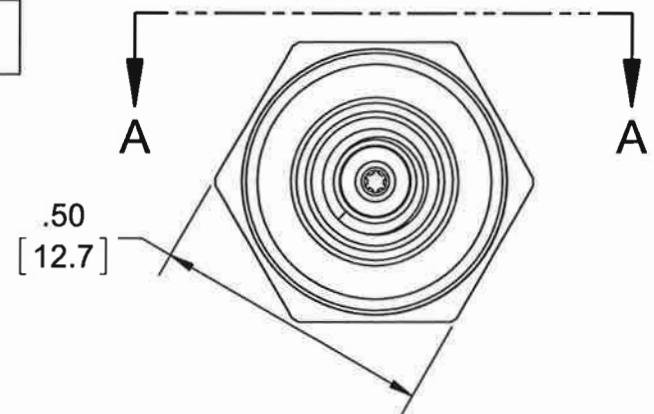


PROPRIETARY AND CONFIDENTIAL

THE INFORMATION CONTAINED IN THIS DRAWING IS THE SOLE PROPERTY OF DYTRAN INSTRUMENTS INC. ANY REPRODUCTION IN PART OR AS A WHOLE WITHOUT THE WRITTEN PERMISSION OF DYTRAN INSTRUMENTS INC. IS PROHIBITED

| MODEL  | SENSITIVITY |
|--------|-------------|
| 3056D1 | 10 mV/g     |
| 3056D2 | 100 mV/g    |
| 3056D3 | 500 mV/g    |
| 3056D4 | 20 mV/g     |
| 3056D5 | 50 mV/g     |
| 3056D6 | 200 mV/g    |
| 3056D7 | 5 mV/g      |

| REVISIONS |       |  |                 |     |      |
|-----------|-------|--|-----------------|-----|------|
| REV.      | ECN   | DESCRIPTION                              | BY/DATE         | CHK | APPR |
| A         | 11394 | INITIAL RELEASE                          | RA,<br>11/06/14 | EM  | DV   |
| B         | 11943 | REVISED MARKING LOCATION, ADDED VIEW A-A | RA,<br>05/05/15 | MH  | LW   |



VIEW A-A  
ROTATED 180°CW

**MOUNTING SURFACE HOLE PREPARATION:**  
 SELECT SURFACE FLAT TO .001 TIR  
 TAP 10-32 UNF-2B X .200 MIN THD DEPTH

4 MATES WITH DYTRAN 6010AXX OR 6011AXX CABLE (XX=LENGTH IS FEET)

3. WEIGHT: 10 GRAMS (APPROX)

2 ARROW INDICATES ACCELERATION DIRECTION FOR POSITIVE OUTPUT.

1. MATERIAL: TITANIUM ALLOY

NOTES: UNLESS OTHERWISE SPECIFIED

UNLESS OTHERWISE SPECIFIED:  
 INTERPRET DIM & TOL PER ASME Y14.5M - 1994.  
 REMOVE BURRS.  
 COUNTERSINK INTERNAL THDS 90° TO MAJOR DIA.  
 CHAM EXT THDS 45° TO MINOR DIA.  
 THD LENGTHS AND DEPTHS ARE FOR MIN FULL THDS.  
 DIMENSIONS APPLY AFTER FINISHING.

ALL MACHINED SURFACES.  
 TOTAL RUNOUT WITHIN .005.  
 BREAK SHARP EDGES .005 TO .010.  
 MACHINED FILLET RADII .005 TO .015.  
 WELDING SYMBOLS PER AWS A2.4.  
 ABBREVIATIONS PER MIL-STD-12.

| APPROVALS |    | DATE     |
|-----------|----|----------|
| DRAWN     | RA | 10/29/14 |
| DESIGN    | RT | 08/28/14 |
| CHK       | EM | 12/12/14 |
| APP       | DV | 12/17/14 |

DO NOT SCALE DRAWING

**DYTRAN INSTRUMENTS, INC.** Chatsworth, CA

**MASTER ONLY IF IN RED**

TITLE: **OUTLINE/INSTALLATION, MODEL 3056DX**

|               |                        |                         |              |
|---------------|------------------------|-------------------------|--------------|
| SIZE <b>B</b> | CAGE CODE <b>2W033</b> | DWG NO <b>127-3056D</b> | REV <b>B</b> |
| SCALE: 3:1    | PART NO:               | SHEET 1 OF 1            |              |

|                               |                                   |                            |
|-------------------------------|-----------------------------------|----------------------------|
| <b>Model Number</b><br>3056D3 | <b>PERFORMANCE SPECIFICATIONS</b> | <b>DOC NO</b><br>PS3056D3  |
| <b>IEPE ACCELEROMETER</b>     |                                   | REV B, ECN 11394, 10/31/14 |



- HERMETICALLY SEALED
- BASE ISOLATED

**PHYSICAL**

Weight  
Connector  
Mounting Provision  
Material, Housing/Connector  
Sensing Element  
Element Style

| ENGLISH        |             | SI             |       |
|----------------|-------------|----------------|-------|
| 0.35           | oz          | 10             | grams |
| 10-32          | Type        | 10-32          |       |
| 10-32 X .150 ↓ | Tapped Hole | 10-32 X .150 ↓ |       |
| Titanium       |             | Titanium       |       |
| Ceramic        |             | Ceramic        |       |
| Planar Shear   |             | Planar Shear   |       |

**PERFORMANCE**

Sensitivity, ±5% [1]  
Range for ± 5 Volts Output  
Frequency Response, ±10%  
Resonant Frequency  
Broad Band Resolution  
Linearity [2]  
Maximum Transverse Sensitivity  
Strain Sensitivity @ 250µε

|             |        |             |                      |
|-------------|--------|-------------|----------------------|
| 500         | mV/G   | 51.0        | mV/m/s <sup>2</sup>  |
| 10          | G peak | 98          | m/s <sup>2</sup>     |
| 1 to 10,000 | Hz     | 1 to 10,000 | Hz                   |
| > 32        | kHz    | > 32        | kHz                  |
| 0.0004      | G rms  | 0.0039      | m/s <sup>2</sup> rms |
| ±1          | % F.S. | ±1          | % F.S.               |
| 5           | %      | 5           | %                    |
| 0.001       | G/µε   | 0.01        | m/s <sup>2</sup> /µε |

**ENVIRONMENTAL**

Maximum Vibration  
Maximum Shock  
Temperature Range  
Seal

|            |        |            |                       |
|------------|--------|------------|-----------------------|
| 200        | G peak | 1962       | m/s <sup>2</sup> peak |
| 1000       | G peak | 9810       | m/s <sup>2</sup> peak |
| -60 to 225 | *F     | -51 to 107 | *C                    |
| HERMETIC   |        | HERMETIC   |                       |

**ELECTRICAL**

Supply Current Range [3]  
Compliance Voltage Range  
Output Impedence, Typ  
Bias Voltage  
Discharge Time Constant  
Electrical Isolation

|            |        |            |        |
|------------|--------|------------|--------|
| 2 to 20    | mA     | 2 to 20    | mA     |
| +18 to +30 | Volts  | +18 to +30 | Volts  |
| 100        | Ω      | 100        | Ω      |
| +9 to +13  | VDC    | +9 to +13  | VDC    |
| .5 to 1.5  | Sec    | .5 to 1.5  | Sec    |
| 10         | GΩ,min | 10         | GΩ,min |

**This family also includes:**

| Model  | Sensitivity (mV/g) | Frequency Response (Hz) | Time Constant (Sec) | Operating Temp (*F) |
|--------|--------------------|-------------------------|---------------------|---------------------|
| 3056D1 | 10                 | 1 to 10000              | 0.5 to 1.5          | -60 to +250         |
| 3056D2 | 100                | 1 to 10000              | 0.5 to 1.5          | -60 to +250         |
| 3056D4 | 20                 | 1 to 10000              | 0.5 to 1.5          | -60 to +250         |
| 3056D5 | 50                 | 1 to 10000              | 0.5 to 1.5          | -60 to +250         |
| 3056D6 | 200                | 1 to 10000              | 0.5 to 1.5          | -60 to +225         |
| 3056D7 | 5                  | 1 to 10000              | 0.5 to 1.5          | -60 to +250         |

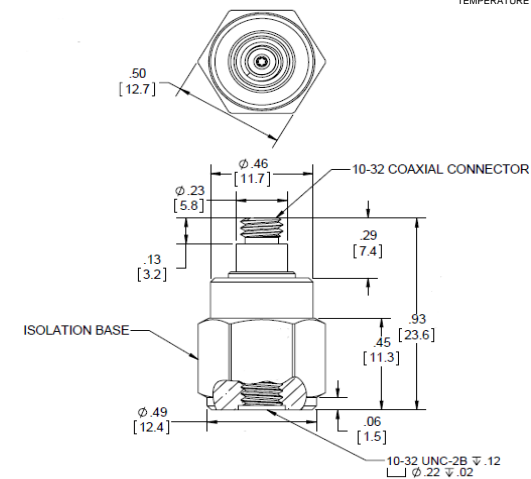
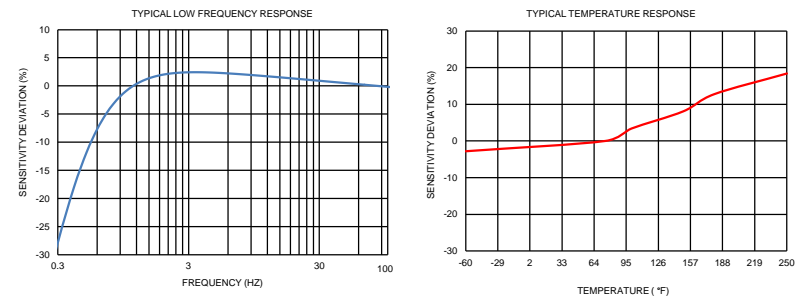
Refer to the performance specifications of the products in this family for detailed description

**Supplied Accessories:**

- 1) Accredited calibration certificate (ISO 17025)

**Notes:**

- [1] Measured at 100Hz, 1 Grms per ISA RP 37.2.
- [2] Measured using zero-based straight line method, % of F.S. or any lesser range.
- [3] Do not apply power to this system without current limiting, 20 mA MAX. To do so will destroy the IC charge amplifier.
- [4] In the interest of constant product improvement, we reserve the right to change specifications without notice.



Units on the line drawing are in inches, units in brackets are in millimeters. Refer to 127-3056D for more information.



21592 Marilla Street, Chatsworth, California 91311 Phone: 818.700.7818 Fax: 818.700.7880 www.dytran.com  
For permission to reprint this content, please contact info@dytran.com



Presented by: Absolute Gauge Technologies  
sales@absolute-gauge.com; www.absolute-gauge.com,  
Toronto: 416 754 3168, Montreal: 514 695 5147, Toll Free: 1 888 754 7008