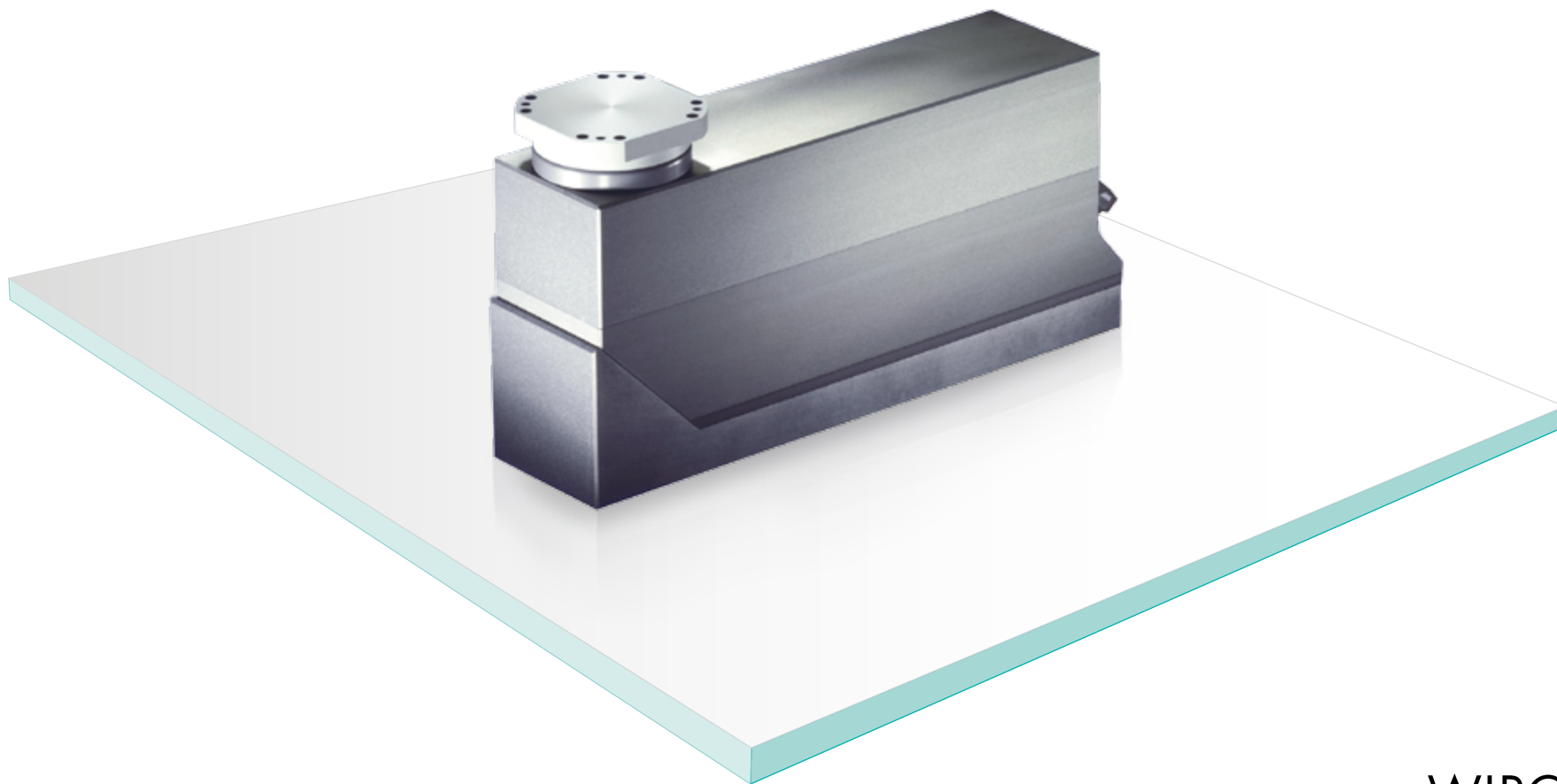


SW-D-FS

HIGH PRECISION WEIGH CELL

PRODUCT INFORMATION



DESCRIPTIONS

The series SW-D-FS Weigh Cells cover the weighing range up to 2,000 g. They have been specifically designed as compact sensor components, meaning they are especially suited for installation into multi-track applications and everywhere where small frame sizes are demanded.

By using GMP-tailored construction, all Weigh Cells are also suitable for use in pharmaceutical industrial plants.

The docking station facilitates a tool-free exchange of the Weigh Cell during cleaning and service work. The system dependent active self-damping ensures the shortest possible measuring times while maintaining the highest resolution.

The Weigh Cell comes standard equipped to supply final weighing values via a CAN interface as ready to connect modular components. The integrated software filters can be configured multifunctional, enabling optimal adaptation of the weighing system to the respective ambient conditions. The Weigh Cells extensive command set facilitates simplified control engineering integration. Complemented by a variety of options, the Weigh Cell can also fulfill very specific requirements.

FEATURES

- ▲ Weighing range up to 2,000 g, covered by 7 models
- ▲ Additive dead load range up to 2,000 g
- ▲ Docking station
- ▲ Slim construction
- ▲ Multi-track applications starting from 72 mm centerline distance
- ▲ Binary I/O channels with customer-specific functions
- ▲ Interface 1: CAN
- ▲ Interface 2: RS 232 for service and configuration
- ▲ Sampling rate 1 ms

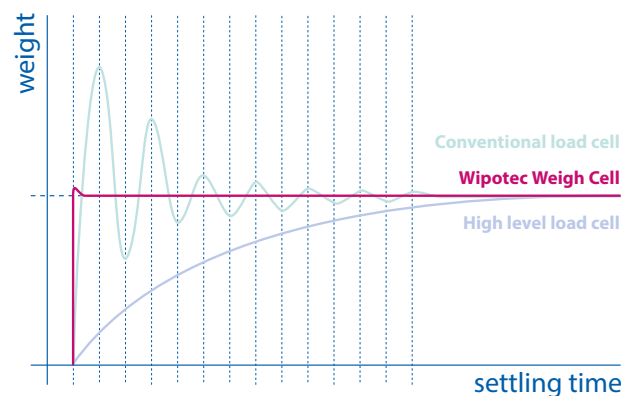
TO BE USED IN

- ▲ Filling and packing machines
- ▲ Checkweighers (for different branches like food, pharmaceuticals, chemical and cosmetics)

OPTIONS

- ▲ **Option 02:** Forceless connection of electrical aggregates
- ▲ **Option 10:** RS 422 instead of CAN interface
- ▲ **Option 11:** Bus operation
- ▲ **Option 12:** Higher display resolution
- ▲ **Option 13:** Binary I/O channels (4-fold)
- ▲ **Option 14:** Filling algorithm
- ▲ **Option 25:** Dead load compensation
- ▲ **Option 28:** Measuring range changeover

With the optional CFI (CAN Fieldbus Interface) it is possible to connect to a variety of industrial fieldbus systems. Please see specifications on our [website](#).



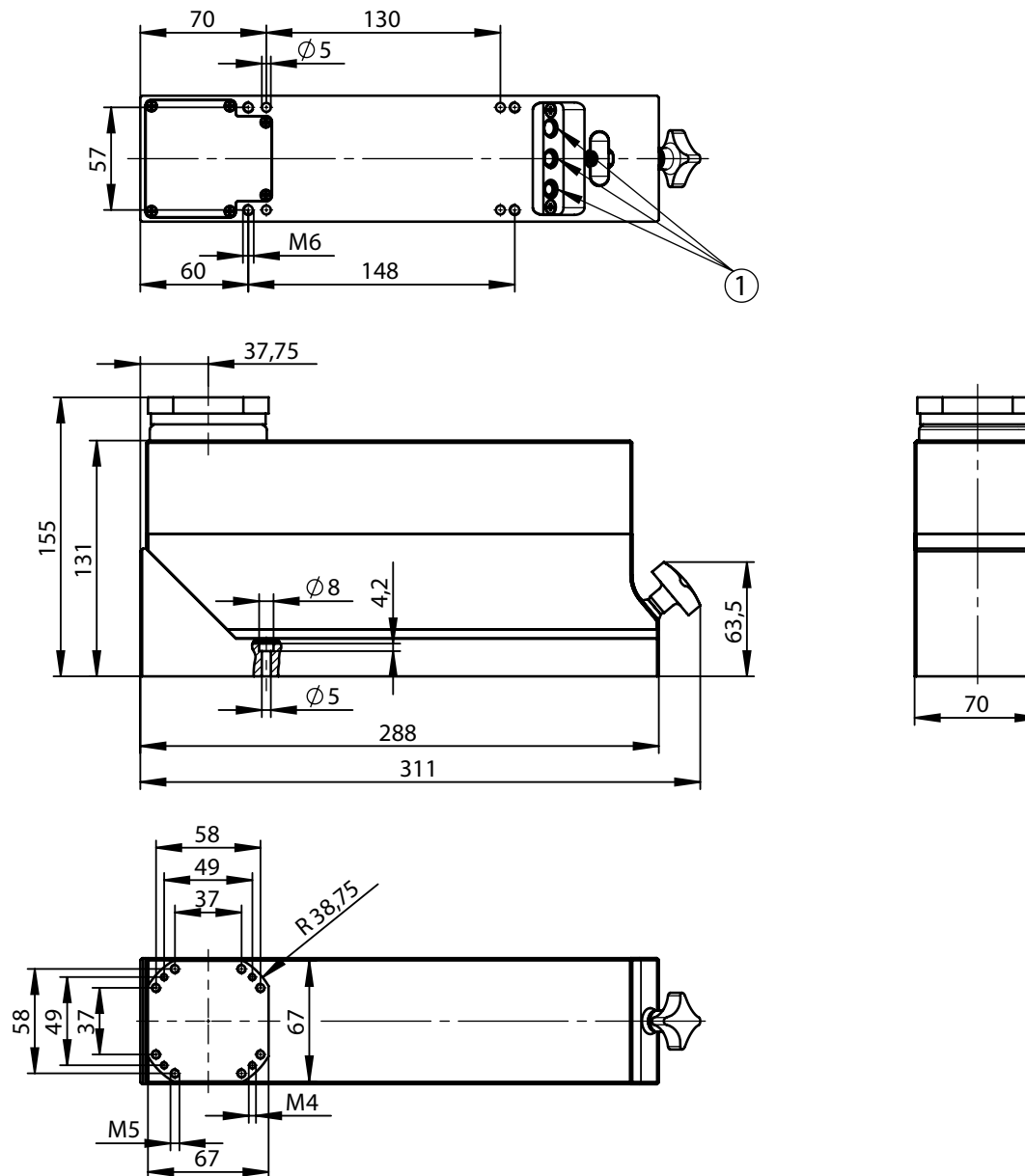
Weigh Cell type	SW 20/150-D-FS	SW 50/300-D-FS	SW 100/400-D-FS	SW 200/600-D-FS	SW 500/1000-D-FS	SW 1000/1000-D-FS	SW 2000/2000-D-FS
Weighing range	20 g	50 g	100 g	200 g	500 g	1,000 g	2,000 g
Electrical adjustable dead load range	150 g	300 g	400 g	600 g	1,000 g	1,000 g	2,000 g
Verification scale interval(e)	³⁾ 0.002 g	³⁾ 0.005 g	0.01 g	0.02 g	0.05 g	0.1 g	0.2 g
Display value (d)	0.0002 g	0.0005 g	0.001 g	0.002 g	0.005 g	0.01 g	0.02 g
³⁾ Display value (d) with higher resolution (Option)	0.00005 g	0.0001 g	0.0002 g	0.0005 g	0.001 g	0.002 g	0.005 g
Linearity ≤	± 0.0001 g	± 0.0002 g	± 0.0004 g	± 0.001 g	± 0.002 g	± 0.004 g	± 0.01 g
¹⁾ Repeatability (S) ≤	0.00005 g	0.0001 g	0.0002 g	0.0005 g	0.001 g	0.002 g	0.005 g
Maximum dimension of weighing platform	80 x 60 mm	80 x 60 mm	100 x 80 mm	150 x 100 mm	150 x 100 mm	150 x 100 mm	200 x 100 mm
¹⁾²⁾ Settling time (on 1‰ of final value)	< 120 ms						
Protection class of the Weigh Cell	IP 44						
Temperature range	+5 °C to +40 °C						
Power supply	24 V DC, ± 5 %, 0,5 A						
Weight	approx. 5,000 g						
Interface 1	CAN, RS 422						
Interface 2	RS 232						
Housing material	Aluminum hard coated						

1) Depends on the preference settings and on setup and ambient conditions of the system | The absolute repeatability is +/- 3 s

2) Weighing time = settling time plus (adjustable) measuring time

3) Temperature range: +10 °C to +30 °C

Customer specific variations on request



1: Interface 1
Interface 2

All measurements in mm

Subject to technical modifications

2015-04-EN-SW-D-FS

Headquarters

Wipotec GmbH
Adam-Hoffmann-Str. 26
67657 Kaiserslautern, Germany
T +49.631.34146-0
F +49.631.34146-8690
info@wipotec.com
www.wipotec.com

Italy

Wipotec Italia s.r.l.
Via Antonio Gramsci, 18
20016 Pero (MI), Italy
T +39.02.73952424
F +39.02.45508075
info@wipotec.it
www.wipotec.it

USA

Wipotec North America
700 Old Roswell Lakes Parkway,
Suite 200
Roswell, Georgia 30076, USA
T +1.770.971.5414
F +1.770.509.5524
info.usa@wipotec.com
www.wipotec.com