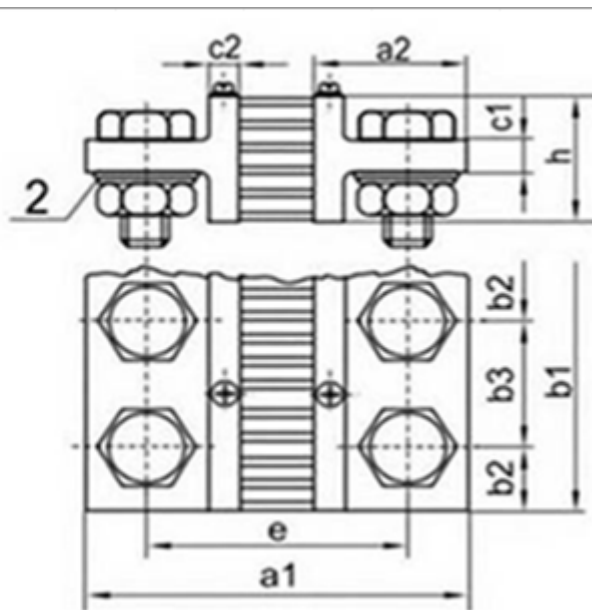


Measurement Shunt Datasheet:

Part #: S4K-50-2: (4kA/ 50 mV shunt: 0.2 accuracy class)

Shunt Dimensions (mm)				
a1	a2	b1	b2	b3
220	70	154	25	52
c1	c2	e	h	weight
25	15	170	130	12.0 kg
Current Terminals (mm)				
# of Terminals	Hexagon Bolt	Waher	Nut	
2 x 3	M20 x 75	21	M20	
Materials of Construction				
Connecting Pieces: Copper				
Resistor Bars: Manganin				
Solder: Silver Alloy				



TECHNICAL DATA

Electromagnetic compatibility	noise immunity	acc. to EN 61000-6-2
	noise emissions	acc. to EN 61000-6-4
Overload range	continuously 5 s max. ≤ 2,000 A > 2,000...10,000 A	1.2 times rated current 5 times rated current 2 times rated current acc. to EN 60051-8:2000
Accuracy class	0.2 or 0.5 (acc. to ordering code)	
Additional error from ambient temperature	0.5 % / 10°C	
Climatic suitability	climatic class 3	acc. to VDE/VDI 3540
Operating temperature	-10...+55°C	
Storage temperature	-25...+65°C	
Relative humidity	≤ 75% annual average, non-condensing	
Shunt calibration	B2, B4, B5, B6 of 1 .. 10 A ranges	considering the 10 mA current of the meter measuring element
	B3 of 1 .. 4 A ranges	considering the 5 mA current of the meter measuring element
Shunts dimensions	acc. to DIN 43 703 standard	
Testing voltage of shunts with an isolating base	5 kV	
Resistance of a pair of wires connecting the shunt to the meter	35 mΩ or 75 Ω, wires are not delivered with the shunt	
Long-term overload	120%·In	
Short duration overload up to 5 seconds	for range up to 2kA – 5·In for range 2kA <In<10kA – 2·In	