

MV-CL082-92CM

8192 P Camera Link Line Scan Camera



GEN*i*CAM



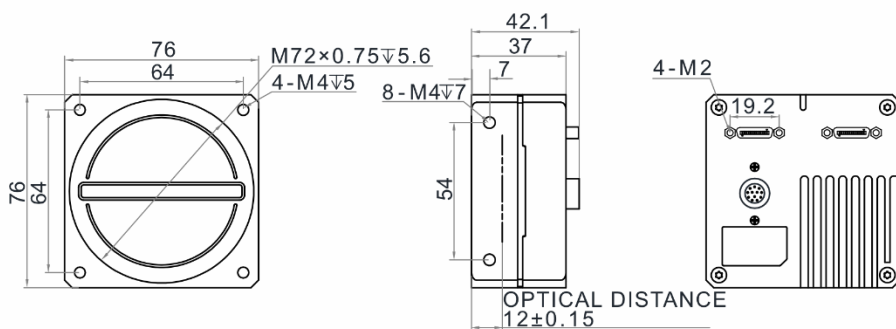
Introduction

MV-CL082-92CM camera adopts CMOS sensor to provide high quality images and uses Camera Link interface to transmit images in real time, and its max. line rate reaches 100 kHz in full resolution. It adopts multiple ISP technologies, and supports external trigger modes like line trigger, frame trigger, and trigger-width exposure.

Key Feature

- Supports multiple exposure and image acquisition modes.
- Adopts multiple ISP technologies and supports manual adjustment for Gamma correction, FFC correction, LUT, black level, etc.
- Supports ROI to increase line rate (max. 200 kHz in 1-line mode).
- Supports bi-directional I/O wiring for flexible input/output settings.
- Compact design and flexible installation.
- Compatible with Camera Link Protocol and GenICam Standard.

Dimension



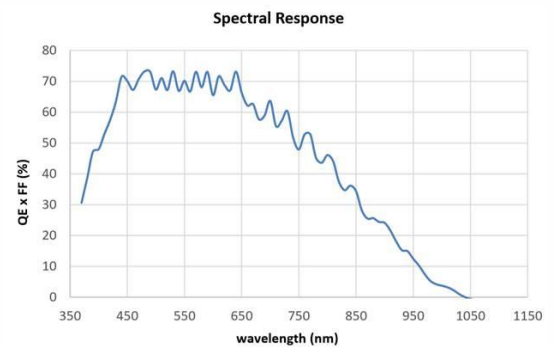
Available Model

MV-CL082-92CM

Applicable Industry

New energy, screen detection, consumer electronics, PCB, metallurgy.

Sensor Quantum Efficiency



Specification

Model	MV-CL082-92CM
Camera	
Sensor type	CMOS
Pixel size	7 μ m
Resolution	8192 \times 2
Image mode	Supports 1-line, 2-TDI
Max. line rate	20 kHz (Base), 40 kHz (Medium), 80 kHz (Full), 100 kHz (80-bit)
Configuration mode	Base, Medium, Full, 80-bit
Tap geometry	1 \times 2, 1 \times 4, 1 \times 8, 1 \times 10
Tap number	2 Taps, 4 Taps, 8 Taps, 10 Taps
Pixel clock	40 MHz, 66 MHz, 80 MHz, 85 MHz
Dynamic range	63.4 dB
SNR	40.8 dB
Gain	Supports 1.0 \times
Exposure time	3 μ s to 10 ms
Exposure mode	Off/ Once/ Continuous exposure mode; supports fixed time exposure, trigger-width exposure
Mono/color	Mono
Pixel format	Mono 8/10/12
Binning	Supports 1 \times 1, 2 \times 2, 4 \times 4
Reverse image	Supports horizontal reverse image output
Trigger mode	External trigger, internal trigger
External trigger mode	Line trigger, frame trigger, line + frame trigger
Electrical features	
Data interface	Camera Link (SDR connector); USB interface for updating firmware
Digital I/O	12-pin P10 connector provides power and I/O: configurable input/output \times 4 (Line 0/1/3/4) and support single-ended/differential. Camera Link provides I/O (CC1/CC2/CC3/CC4).
Power supply	12 VDC to 24 VDC
Power consumption	Typ. 9.8 W@12 VDC
Mechanical	
Lens mount	M72*0.75, optical back focal length: 12 mm (0.5"), applicable to F-mount via lens adapter
Dimension	76 mm \times 76 mm \times 42.1 mm (3.0" \times 3.0" \times 1.7")
Weight	Approx. 320 g (0.7 lb.)
Ingress protection	IP40 (under proper lens installation and wiring)
Temperature	Working temperature: -20 $^{\circ}$ C to 55 $^{\circ}$ C (-4 $^{\circ}$ F to 131 $^{\circ}$ F) Storage temperature : -30 $^{\circ}$ C to 80 $^{\circ}$ C (-22 $^{\circ}$ F to 176 $^{\circ}$ F)
Humidity	5% to 90% RH, non-condensing
General	
Client software	MVS and frame grabber software meeting with Camera Link Protocol
Operating system	32/64-bit Windows 7/10
Compatibility	Camera Link V1.2, GenICam
Certification	CE, RoHS2.0, KC

HIKROBOT

Hangzhou Hikrobot Co., Ltd.
 en.hikrobotics.com

© Hangzhou Hikrobot Co., Ltd. All Rights Reserved.

Hangzhou Hikrobot does not tolerate any infringement. Any organization or individual may not imitate or reproduce in whole or in part of the content. The data herein is based on Hikrobot's internal evaluation. Actual data may vary depending on specific configuration and operating condition. The information herein is subject to change without notice. All the content has been checked conscientiously. Nevertheless, Hikrobot shall not be liable to damages resulting from errors, inconsistencies or omissions.