

Rocker Pin Load Cell CB50X-DL with a Rated Load of 20 ... 60 t



Performance Features

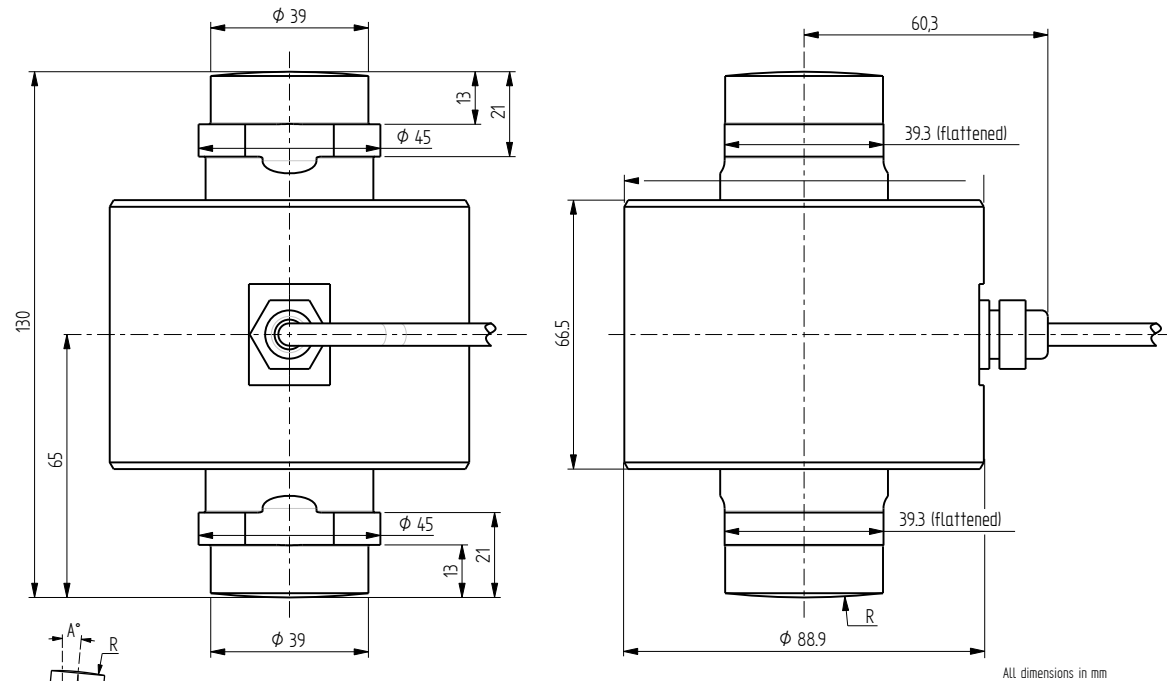
- Digital rocker pin load cell made of stainless steel, welded with protection class IP68
- 4000d OIML approved, optional Version C5 with 5000 OIML on request
- Digital output via RS485 interface
- Spherical and self centering base
- Anti-rotating system included
- Ideally suited for weighbridge use and silo weighing
- Rodent protection as standard
- Integrated ESD protection
- Lightning protection integrated to DLCJB box

Application

- Food industry
- Coal and steel industry
- Chemical / pharmaceutical industry
- Waste management / recycling
- Packaging technology



Dimensions in mm



	Rated Load [t]			
	20	30	40	60
R (mm)	160	180	200	220
A° max.	4.4°	3.7°	3.1°	2.4°
D max. (mm)	11	10	7	5.5
F (%)	11.2	11.6	11.2	10.1

D max.: Max. permissible lateral displacement of load introduction

A° max.: Slope at D max.

F: Restoring force at D max. (% of applied load)

ATTENTION: Before use, please observe our technical notes on the assembly instructions (NT WEIGHBRIDGE)

Article-No.	Version	Rated load [t]
110655	C4 10e	20
110656	C4 10e	30
110657	C4 10e	40
110658	C4 10e	60

Connection Assignment

Electrical Connection

Function		Wire Color	
Excitation (+)		White	○
Excitation (-)		Brown	●
RS485 Output	RS485 (+)	Green	●
	RS485 (-)	Yellow	●
RS485 Input	RS485 (+)	Gray	●
	RS485 (-)	Pink	●

Technical Data

Type	CB50X	
Version		C4 10e
Rated load E	t	20; 30; 40; 60
Maximum load for approved weighing E_{max}	t	20; 30; 40; 60
Accuracy class OIML R60		C4
Maximum numbers of load cell intervals n_{max}	d OIML	4000
Minimum verification interval v_{min}	t	$E_{max}/10000$
Creep division factor $Z = E_{max}/2 \times DR$		4000
Combined error	% E	±0.013
Temperature coefficient of zero signal	% E/°C	±0.0014
Temperature coefficient of characteristic value	% E/°C	±0.0011
Load creep d_{cr, F} in 30 min.	% E	±0.018
Rated range of supply voltage	VDC	7.5 ... 16
Rated sensitivity at E	Digits	200000
Current consumption	mA	35
Converter type		Delta-Sigma
Internal resolution	Bit	24
Measuring rate	1/s	max. 100
RS485 interface		2-Wire-Bus, Half-Duplex
- Transfer rate	Bit/s	4800 .. 19200
- Number of slaves		max. 32
Electrical connection		Cable, PVC, 15 m
Material cable gland		Nickel plated steel
Rated temperature range B_{T, nom}	°C	-10 ... 40
Operating temperature range B_{T, G}	°C	-20 ... 60
Limit load E_{lim}	% E _{max}	150
Breaking load E_b	% E _{max}	300
Level of protection	EN 60529	IP68
Material		Stainless steel
Weight	kg	3

Options

Article-No.	Description
on request	Version C5, 5000d OIML

Accessories

Weighing Electronics

ALCJB-A	CPJ/CPJ2S	IPE50 Panel
		

Accessories (continued)

Assembly kit

Article-No.	Description	Material	
105220	Mounting kit Stabican 30t	Zinc plated steel	
105219	Mounting kit Stabican 30t	Stainless steel	
111186	Mounting kit STABICAN 60t	Zinc plated steel	
110653	Cups kit LPC	Zinc plated steel	
108590	Fastening and cups kit LPM	Zinc plated steel	
111187	Fastening and cups kit LPM-X	Stainless steel	
110654	Self aligning kit LPS	Zinc plated steel	



AGT Absolute
Gauge
Technologies™

Presented by: Absolute Gauge Technologies
sales@absolutegauge.com; www.absolutegauge.com,
Toronto: 416 754 3168, Montreal: 514 695 5147, Toll Free: 1 888 754 7008