

# MV-LLDS-H

## Standard Bar Light

MV-LLDS-H series standard bar light adopts high-quality LEDs to provide stable and sufficient lighting, which is available in models with various length sizes with flexible installation.



### Key Feature

- The irradiation direction and angle can be adjusted freely.
- Support multi-side installation.
- High-quality LED particles, stable lighting and high brightness.

### Applicable Industry

Character recognition, identification detection of electronic components, edge defect detection, connector pin detection.

### Naming Rule

**MV - LLDS - H - 50 - 30 - W**

**LLDS:** Bar-type lighting

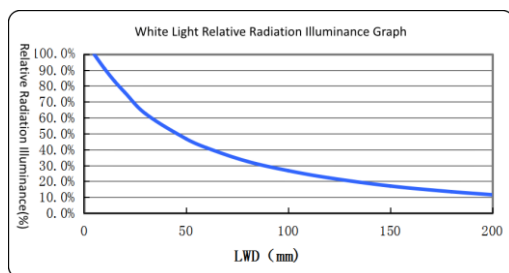
**H:** Hik style series

**50 - 30:** Emitting area dimensions (mm)

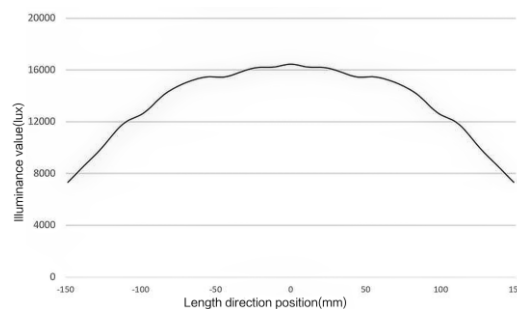
**W:** Color

### Relative Radiation Illuminance

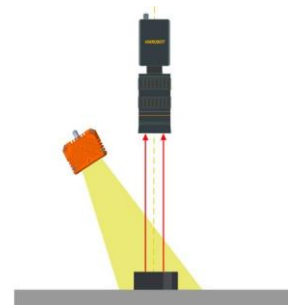
#### Curve under White Light



### Uniformity Diagram



### Lighting Signal



## Specification

Model	Parameter	Performance		Mechanical			Electrical feature		
	Color	Best working distance	Dimension	Emitting area dimension	LED rows	Weight	Power	Input voltage	Connector type
MV-LLDS-H-50-30-W	White	30~500 mm	63 mm × 30 mm × 30 mm	51 mm × 21.6 mm	4	0.12 kg	3.4 W	24 VDC	SMR-03V-B
MV-LLDS-H-50-30-R	Red	30~500 mm	63 mm × 30 mm × 30 mm	51 mm × 21.6 mm	4	0.12 kg	1.9 W	24 VDC	SMR-03V-B
MV-LLDS-H-50-30-B	Blue	30~500 mm	63 mm × 30 mm × 30 mm	51 mm × 21.6 mm	4	0.12 kg	2.6 W	24 VDC	SMR-03V-B
MV-LLDS-H-50-30-IR850	IR850	30~500 mm	63 mm × 30 mm × 30 mm	51 mm × 21.6 mm	4	0.12 kg	2.9 W	24 VDC	SMR-03V-B
MV-LLDS-H-50-30-IR940	IR940	30~500 mm	63 mm × 30 mm × 30 mm	51 mm × 21.6 mm	4	0.12 kg	2.9 W	24 VDC	SMR-03V-B
MV-LLDS-H-50-40-W	White	30~500 mm	63 mm × 40 mm × 30 mm	51 mm × 31.6 mm	6	0.15 kg	5.3 W	24 VDC	SMR-03V-B
MV-LLDS-H-50-40-R	Red	30~500 mm	63 mm × 40 mm × 30 mm	51 mm × 31.6 mm	6	0.15 kg	2.9 W	24 VDC	SMR-03V-B
MV-LLDS-H-50-40-B	Blue	30~500 mm	63 mm × 40 mm × 30 mm	51 mm × 31.6 mm	6	0.15 kg	3.6 W	24 VDC	SMR-03V-B
MV-LLDS-H-50-40-IR850	IR850	30~500 mm	63 mm × 40 mm × 30 mm	51 mm × 31.6 mm	6	0.15 kg	4.3 W	24 VDC	SMR-03V-B
MV-LLDS-H-50-40-IR940	IR940	30~500 mm	63 mm × 40 mm × 30 mm	51 mm × 31.6 mm	6	0.15 kg	4.3 W	24 VDC	SMR-03V-B
MV-LLDS-H-100-30-W	White	30~500 mm	108 mm × 30 mm × 30 mm	96 mm × 21.6 mm	4	0.2 kg	6.9 W	24 VDC	SMR-03V-B
MV-LLDS-H-100-30-R	Red	30~500 mm	108 mm × 30 mm × 30 mm	96 mm × 21.6 mm	4	0.2 kg	4.1 W	24 VDC	SMR-03V-B
MV-LLDS-H-100-30-B	Blue	30~500 mm	108 mm × 30 mm × 30 mm	96 mm × 21.6 mm	4	0.2 kg	5 W	24 VDC	SMR-03V-B
MV-LLDS-H-100-30-IR850	IR850	30~500 mm	108 mm × 30 mm × 30 mm	96 mm × 21.6 mm	4	0.2 kg	5.5 W	24 VDC	SMR-03V-B
MV-LLDS-H-100-30-IR940	IR940	30~500 mm	108 mm × 30 mm × 30 mm	96 mm × 21.6 mm	4	0.2 kg	5.8 W	24 VDC	SMR-03V-B
MV-LLDS-H-100-40-W	White	30~500 mm	108 mm × 40 mm × 30 mm	96 mm × 31.6 mm	6	0.23 kg	10.6 W	24 VDC	SMR-03V-B
MV-LLDS-H-100-40-R	Red	30~500 mm	108 mm × 40 mm × 30 mm	96 mm × 31.6 mm	6	0.23 kg	6 W	24 VDC	SMR-03V-B
MV-LLDS-H-100-40-B	Blue	30~500 mm	108 mm × 40 mm × 30 mm	96 mm × 31.6 mm	6	0.23 kg	7.7 W	24 VDC	SMR-03V-B
MV-LLDS-H-100-40-IR850	IR850	30~500 mm	108 mm × 40 mm × 30 mm	96 mm × 31.6 mm	6	0.23 kg	8.4 W	24 VDC	SMR-03V-B
MV-LLDS-H-100-40-IR940	IR940	30~500 mm	108 mm × 40 mm × 30 mm	96 mm × 31.6 mm	6	0.23 kg	8.6 W	24 VDC	SMR-03V-B
MV-LLDS-H-150-30-W	White	30~500 mm	153 mm × 30 mm × 30 mm	141 mm × 21.6 mm	4	0.28 kg	10 W	24 VDC	SMR-03V-B
MV-LLDS-H-150-30-R	Red	30~500 mm	153 mm × 30 mm × 30 mm	141 mm × 21.6 mm	4	0.28 kg	6 W	24 VDC	SMR-03V-B
MV-LLDS-H-150-30-B	Blue	30~500 mm	153 mm × 30 mm × 30 mm	141 mm × 21.6 mm	4	0.28 kg	7.7 W	24 VDC	SMR-03V-B
MV-LLDS-H-150-30-IR850	IR850	30~500 mm	153 mm × 30 mm × 30 mm	141 mm × 21.6 mm	4	0.28 kg	8.4 W	24 VDC	SMR-03V-B
MV-LLDS-H-150-30-IR940	IR940	30~500 mm	153 mm × 30 mm × 30 mm	141 mm × 21.6 mm	4	0.28 kg	8.6 W	24 VDC	SMR-03V-B
MV-LLDS-H-150-40-W	White	30~500 mm	153 mm × 40 mm × 30 mm	141 mm × 31.6 mm	6	0.32 kg	15.7 W	24 VDC	SMR-03V-B
MV-LLDS-H-150-40-R	Red	30~500 mm	153 mm × 40 mm × 30 mm	141 mm × 31.6 mm	6	0.32 kg	8.9 W	24 VDC	SMR-03V-B
MV-LLDS-H-150-40-B	Blue	30~500 mm	153 mm × 40 mm × 30 mm	141 mm × 31.6 mm	6	0.32 kg	11.3 W	24 VDC	SMR-03V-B
MV-LLDS-H-150-40-IR850	IR850	30~500 mm	153 mm × 40 mm × 30 mm	141 mm × 31.6 mm	6	0.32 kg	12.7 W	24 VDC	SMR-03V-B
MV-LLDS-H-150-40-IR940	IR940	30~500 mm	153 mm × 40 mm × 30 mm	141 mm × 31.6 mm	6	0.32 kg	13 W	24 VDC	SMR-03V-B
MV-LLDS-H-200-30-W	White	30~500 mm	198 mm × 30 mm × 30 mm	186 mm × 21.6 mm	4	0.36 kg	13.5 W	24 VDC	SMR-03V-B
MV-LLDS-H-200-30-R	Red	30~500 mm	198 mm × 30 mm × 30 mm	186 mm × 21.6 mm	4	0.36 kg	9.9 W	24 VDC	SMR-03V-B
MV-LLDS-H-200-30-B	Blue	30~500 mm	198 mm × 30 mm × 30 mm	186 mm × 21.6 mm	4	0.36 kg	10.3 W	24 VDC	SMR-03V-B
MV-LLDS-H-200-30-IR850	IR850	30~500 mm	198 mm × 30 mm × 30 mm	186 mm × 21.6 mm	4	0.36 kg	11.3 W	24 VDC	SMR-03V-B
MV-LLDS-H-200-30-IR940	IR940	30~500 mm	198 mm × 30 mm × 30 mm	186 mm × 21.6 mm	4	0.36 kg	11.5 W	24 VDC	SMR-03V-B
MV-LLDS-H-200-40-W	White	30~500 mm	198 mm × 40 mm × 30 mm	186 mm × 31.6 mm	6	0.41 kg	20.9 W	24 VDC	SMR-03V-B
MV-LLDS-H-200-40-R	Red	30~500 mm	198 mm × 40 mm × 30 mm	186 mm × 31.6 mm	6	0.41 kg	12 W	24 VDC	SMR-03V-B

## Specification

Model	Parameter	Performance		Structure			Electrical feature		
	Color	Best working distance	Dimension	Emitting area dimension	LED rows	Weight	Power	Input voltage	Connector type
MV-LLDS-H-200-40-B	Blue	30~500 mm	198 mm × 40 mm × 30 mm	186 mm × 31.6 mm	6	0.41 kg	15.4 W	24 VDC	SMR-03V-B
MV-LLDS-H-200-40-IR850	IR850	30~500 mm	198 mm × 40 mm × 30 mm	186 mm × 31.6 mm	6	0.41 kg	16.8 W	24 VDC	SMR-03V-B
MV-LLDS-H-200-40-IR940	IR940	30~500 mm	198 mm × 40 mm × 30 mm	186 mm × 31.6 mm	6	0.41 kg	17.3 W	24 VDC	SMR-03V-B
MV-LLDS-H-250-30- W	White	30~500 mm	243 mm × 30 mm × 30 mm	231 mm × 21.6 mm	4	0.43 kg	16.9 W	24 VDC	SMR-03V-B
MV-LLDS-H-250-30- R	Red	30~500 mm	243 mm × 30 mm × 30 mm	231 mm × 21.6 mm	4	0.43 kg	9.8 W	24 VDC	SMR-03V-B
MV-LLDS-H-250-30- B	Blue	30~500 mm	243 mm × 30 mm × 30 mm	231 mm × 21.6 mm	4	0.43 kg	12.7 W	24 VDC	SMR-03V-B
MV-LLDS-H-250-30- IR850	IR850	30~500 mm	243 mm × 30 mm × 30 mm	231 mm × 21.6 mm	4	0.43 kg	14.2 W	24 VDC	SMR-03V-B
MV-LLDS-H-250-30- IR940	IR940	30~500 mm	243 mm × 30 mm × 30 mm	231 mm × 21.6 mm	4	0.43 kg	14.4 W	24 VDC	SMR-03V-B
MV-LLDS-H-250-40-W	White	30~500 mm	243 mm × 40 mm × 30 mm	231 mm × 31.6 mm	6	0.49 kg	26.2 W	24 VDC	SMR-03V-B
MV-LLDS-H-250-40-R	Red	30~500 mm	243 mm × 40 mm × 30 mm	231 mm × 31.6 mm	6	0.49 kg	14.9 W	24 VDC	SMR-03V-B
MV-LLDS-H-250-40-B	Blue	30~500 mm	243 mm × 40 mm × 30 mm	231 mm × 31.6 mm	6	0.49 kg	19 W	24 VDC	SMR-03V-B
MV-LLDS-H-250-40-IR850	IR850	30~500 mm	243 mm × 40 mm × 30 mm	231 mm × 31.6 mm	6	0.49 kg	21.1 W	24 VDC	SMR-03V-B
MV-LLDS-H-250-40-IR940	IR940	30~500 mm	243 mm × 40 mm × 30 mm	231 mm × 31.6 mm	6	0.49 kg	21.6 W	24 VDC	SMR-03V-B
MV-LLDS-H-300-30-W	White	30~500 mm	288 mm × 30 mm × 30 mm	276 mm × 21.6 mm	4	0.51 kg	20.1 W	24 VDC	SMR-03V-B
MV-LLDS-H-300-30-R	Red	30~500 mm	288 mm × 30 mm × 30 mm	276 mm × 21.6 mm	4	0.51 kg	12 W	24 VDC	SMR-03V-B
MV-LLDS-H-300-30-B	Blue	30~500 mm	288 mm × 30 mm × 30 mm	276 mm × 21.6 mm	4	0.51 kg	15.4 W	24 VDC	SMR-03V-B
MV-LLDS-H-300-30-IR850	IR850	30~500 mm	288 mm × 30 mm × 30 mm	276 mm × 21.6 mm	4	0.51 kg	16.8 W	24 VDC	SMR-03V-B
MV-LLDS-H-300-30-IR940	IR940	30~500 mm	288 mm × 30 mm × 30 mm	276 mm × 21.6 mm	4	0.51 kg	17.3 W	24 VDC	SMR-03V-B
MV-LLDS-H-300-40-W	White	30~500 mm	288 mm × 40 mm × 30 mm	276 mm × 31.6 mm	6	0.57 kg	31.3 W	24 VDC	SMR-03V-B
MV-LLDS-H-300-40-R	Red	30~500 mm	288 mm × 40 mm × 30 mm	276 mm × 31.6 mm	6	0.57 kg	18 W	24 VDC	SMR-03V-B
MV-LLDS-H-300-40-B	Blue	30~500 mm	288 mm × 40 mm × 30 mm	276 mm × 31.6 mm	6	0.57 kg	23 W	24 VDC	SMR-03V-B
MV-LLDS-H-300-40-IR850	IR850	30~500 mm	288 mm × 40 mm × 30 mm	276 mm × 31.6 mm	6	0.57 kg	25.4 W	24 VDC	SMR-03V-B
MV-LLDS-H-300-40-IR940	IR940	30~500 mm	288 mm × 40 mm × 30 mm	276 mm × 31.6 mm	6	0.57 kg	25.7 W	24 VDC	SMR-03V-B
MV-LLDS-H-350-30-W	White	30~500 mm	333 mm × 30 mm × 30 mm	321 mm × 21.6 mm	4	0.59 kg	23.5 W	24 VDC	SMR-03V-B
MV-LLDS-H-350-30-R	Red	30~500 mm	333 mm × 30 mm × 30 mm	321 mm × 21.6 mm	4	0.59 kg	13.9 W	24 VDC	SMR-03V-B
MV-LLDS-H-350-30-B	Blue	30~500 mm	333 mm × 30 mm × 30 mm	321 mm × 21.6 mm	4	0.59 kg	17.8 W	24 VDC	SMR-03V-B
MV-LLDS-H-350-30-IR850	IR850	30~500 mm	333 mm × 30 mm × 30 mm	321 mm × 21.6 mm	4	0.59 kg	19.7 W	24 VDC	SMR-03V-B
MV-LLDS-H-350-30-IR940	IR940	30~500 mm	333 mm × 30 mm × 30 mm	321 mm × 21.6 mm	4	0.59 kg	20.2 W	24 VDC	SMR-03V-B
MV-LLDS-H-350-40 W	White	30~500 mm	333 mm × 40 mm × 30 mm	321 mm × 31.6 mm	6	0.66 kg	36.6 W	24 VDC	SMR-03V-B
MV-LLDS-H-350-40-R	Red	30~500 mm	333 mm × 40 mm × 30 mm	321 mm × 31.6 mm	6	0.66 kg	20.9 W	24 VDC	SMR-03V-B
MV-LLDS-H-350-40-B	Blue	30~500 mm	333 mm × 40 mm × 30 mm	321 mm × 31.6 mm	6	0.66 kg	26.6 W	24 VDC	SMR-03V-B
MV-LLDS-H-350-40-IR850	IR850	30~500 mm	333 mm × 40 mm × 30 mm	321 mm × 31.6 mm	6	0.66 kg	29.5 W	24 VDC	SMR-03V-B
MV-LLDS-H-350-40-IR940	IR940	30~500 mm	333 mm × 40 mm × 30 mm	321 mm × 31.6 mm	6	0.66 kg	30 W	24 VDC	SMR-03V-B
MV-LLDS-H-400-30-W	White	30~500 mm	378 mm × 30 mm × 30 mm	366 mm × 21.6 mm	4	0.67 kg	26.9 W	24 VDC	SMR-03V-B
MV-LLDS-H-400-30-R	Red	30~500 mm	378 mm × 30 mm × 30 mm	366 mm × 21.6 mm	4	0.67 kg	15.8 W	24 VDC	SMR-03V-B

## Specification

Model	Parameter	Performance		Mechanical			Electrical feature		
	Color	Best working distance	Dimension	Emitting area dimension	LED rows	Weight	Power	Input voltage	Connector type
MV-LLDS-H-400-30-B	Blue	30~500 mm	378 mm × 30 mm × 30 mm	366 mm × 21.6 mm	4	0.67 kg	20.4 W	24 VDC	SMR-03V-B
MV-LLDS-H-400-30-IR850	IR850	30~500 mm	378 mm × 30 mm × 30 mm	366 mm × 21.6 mm	4	0.67 kg	22.6 W	24 VDC	SMR-03V-B
MV-LLDS-H-400-30-IR940	IR940	30~500 mm	378 mm × 30 mm × 30 mm	366 mm × 21.6 mm	4	0.67 kg	22.8 W	24 VDC	SMR-03V-B
MV-LLDS-H-400-40-W	White	30~500 mm	378 mm × 40 mm × 30 mm	366 mm × 31.6 mm	6	0.74 kg	41.9 W	24 VDC	SMR-03V-B
MV-LLDS-H-400-40-R	Red	30~500 mm	378 mm × 40 mm × 30 mm	366 mm × 31.6 mm	6	0.74 kg	23.8 W	24 VDC	SMR-03V-B
MV-LLDS-H-400-40-B	Blue	30~500 mm	378 mm × 40 mm × 30 mm	366 mm × 31.6 mm	6	0.74 kg	30.7 W	24 VDC	SMR-03V-B
MV-LLDS-H-400-40-IR850	IR850	30~500 mm	378 mm × 40 mm × 30 mm	366 mm × 31.6 mm	6	0.74 kg	33.8 W	24 VDC	SMR-03V-B
MV-LLDS-H-400-40-IR940	IR940	30~500 mm	378 mm × 40 mm × 30 mm	366 mm × 31.6 mm	6	0.74 kg	34.3 W	24 VDC	SMR-03V-B
MV-LLDS-H-450-30-W	White	30~500 mm	423 mm × 30 mm × 30 mm	411 mm × 21.6 mm	4	0.75 kg	30.1 W	24 VDC	SMR-03V-B
MV-LLDS-H-450-30-R	Red	30~500 mm	423 mm × 30 mm × 30 mm	411 mm × 21.6 mm	4	0.75 kg	18 W	24 VDC	SMR-03V-B
MV-LLDS-H-450-30-B	Blue	30~500 mm	423 mm × 30 mm × 30 mm	411 mm × 21.6 mm	4	0.75 kg	23 W	24 VDC	SMR-03V-B
MV-LLDS-H-450-30-IR850	IR850	30~500 mm	423 mm × 30 mm × 30 mm	411 mm × 21.6 mm	4	0.75 kg	25.4 W	24 VDC	SMR-03V-B
MV-LLDS-H-450-30-IR940	IR940	30~500 mm	423 mm × 30 mm × 30 mm	411 mm × 21.6 mm	4	0.75 kg	25.7 W	24 VDC	SMR-03V-B
MV-LLDS-H-450-40-W	White	30~500 mm	423 mm × 40 mm × 30 mm	411 mm × 31.6 mm	6	0.83 kg	47 W	24 VDC	SMR-03V-B
MV-LLDS-H-450-40-R	Red	30~500 mm	423 mm × 40 mm × 30 mm	411 mm × 31.6 mm	6	0.83 kg	26.9 W	24 VDC	SMR-03V-B
MV-LLDS-H-450-40-B	Blue	30~500 mm	423 mm × 40 mm × 30 mm	411 mm × 31.6 mm	6	0.83 kg	34.3 W	24 VDC	SMR-03V-B
MV-LLDS-H-450-40-IR850	IR850	30~500 mm	423 mm × 40 mm × 30 mm	411 mm × 31.6 mm	6	0.83 kg	37.9 W	24 VDC	SMR-03V-B
MV-LLDS-H-450-40-IR940	IR940	30~500 mm	423 mm × 40 mm × 30 mm	411 mm × 31.6 mm	6	0.83 kg	38.6 W	24 VDC	SMR-03V-B
MV-LLDS-H-500-30-W	White	30~500 mm	468 mm × 30 mm × 30 mm	456 mm × 21.6 mm	4	0.83 kg	33.5 W	24 VDC	SMR-03V-B
MV-LLDS-H-500-30-R	Red	30~500 mm	468 mm × 30 mm × 30 mm	456 mm × 21.6 mm	4	0.83 kg	19.9 W	24 VDC	SMR-03V-B
MV-LLDS-H-500-30-B	Blue	30~500 mm	468 mm × 30 mm × 30 mm	456 mm × 21.6 mm	4	0.83 kg	25.4 W	24 VDC	SMR-03V-B
MV-LLDS-H-500-30-IR850	IR850	30~500 mm	468 mm × 30 mm × 30 mm	456 mm × 21.6 mm	4	0.83 kg	28.1 W	24 VDC	SMR-03V-B
MV-LLDS-H-500-30-IR940	IR940	30~500 mm	468 mm × 30 mm × 30 mm	456 mm × 21.6 mm	4	0.83 kg	28.6 W	24 VDC	SMR-03V-B
MV-LLDS-H-500-40-W	White	30~500 mm	468 mm × 40 mm × 30 mm	456 mm × 31.6 mm	6	0.91 kg	52.2 W	24 VDC	SMR-03V-B
MV-LLDS-H-500-40-R	Red	30~500 mm	468 mm × 40 mm × 30 mm	456 mm × 31.6 mm	6	0.91 kg	29.8 W	24 VDC	SMR-03V-B
MV-LLDS-H-500-40-B	Blue	30~500 mm	468 mm × 40 mm × 30 mm	456 mm × 31.6 mm	6	0.91 kg	38.4 W	24 VDC	SMR-03V-B
MV-LLDS-H-500-40-IR850	IR850	30~500 mm	468 mm × 40 mm × 30 mm	456 mm × 31.6 mm	6	0.91 kg	42.2 W	24 VDC	SMR-03V-B
MV-LLDS-H-500-40-IR940	IR940	30~500 mm	468 mm × 40 mm × 30 mm	456 mm × 31.6 mm	6	0.91 kg	43 W	24 VDC	SMR-03V-B
MV-LLDS-H-600-30-W	White	30~500 mm	558 mm × 30 mm × 30 mm	546 mm × 21.6 mm	4	0.98 kg	40.1 W	24 VDC	SMR-03V-B
MV-LLDS-H-600-30-R	Red	30~500 mm	558 mm × 30 mm × 30 mm	546 mm × 21.6 mm	4	0.98 kg	23.8 W	24 VDC	SMR-03V-B
MV-LLDS-H-600-30-B	Blue	30~500 mm	558 mm × 30 mm × 30 mm	546 mm × 21.6 mm	4	0.98 kg	30.7 W	24 VDC	SMR-03V-B
MV-LLDS-H-600-30-IR850	IR850	30~500 mm	558 mm × 30 mm × 30 mm	546 mm × 21.6 mm	4	0.98 kg	33.8 W	24 VDC	SMR-03V-B
MV-LLDS-H-600-30-IR940	IR940	30~500 mm	558 mm × 30 mm × 30 mm	546 mm × 21.6 mm	4	0.98 kg	34.3 W	24 VDC	SMR-03V-B
MV-LLDS-H-600-40-W	White	30~500 mm	558 mm × 40 mm × 30 mm	546 mm × 31.6 mm	6	1.08 kg	62.6 W	24 VDC	SMR-03V-B
MV-LLDS-H-600-40-R	Red	30~500 mm	558 mm × 40 mm × 30 mm	546 mm × 31.6 mm	6	1.08 kg	35.8 W	24 VDC	SMR-03V-B
MV-LLDS-H-600-40-B	Blue	30~500 mm	558 mm × 40 mm × 30 mm	546 mm × 31.6 mm	6	1.08 kg	45.6 W	24 VDC	SMR-03V-B
MV-LLDS-H-600-40-IR850	IR850	30~500 mm	558 mm × 40 mm × 30 mm	546 mm × 31.6 mm	6	1.08 kg	50.6 W	24 VDC	SMR-03V-B

## Specification

Model	Parameter	Performance		Mechanical			Electrical feature		
	Color	Best working distance	Dimension	Emitting area dimension	LED rows	Weight	Power	Input voltage	Connector type
MV-LLDS-H-600-40-IR940	IR940	30~500 mm	558 mm × 40 mm × 30 mm	546 mm × 31.6 mm	6	1.08 kg	51.6 W	24 VDC	SMR-03V-B
MV-LLDS-H-700-30-W	White	30~500 mm	648 mm × 30 mm × 30 mm	636 mm × 21.6 mm	4	1.14 kg	47 W	24 VDC	SMR-03V-B
MV-LLDS-H-700-30-R	Red	30~500 mm	648 mm × 30 mm × 30 mm	636 mm × 21.6 mm	4	1.14 kg	27.8 W	24 VDC	SMR-03V-B
MV-LLDS-H-700-30-B	Blue	30~500 mm	648 mm × 30 mm × 30 mm	636 mm × 21.6 mm	4	1.14 kg	35.8 W	24 VDC	SMR-03V-B
MV-LLDS-H-700-30-IR850	IR850	30~500 mm	648 mm × 30 mm × 30 mm	636 mm × 21.6 mm	4	1.14 kg	39.4 W	24 VDC	SMR-03V-B
MV-LLDS-H-700-30-IR940	IR940	30~500 mm	648 mm × 30 mm × 30 mm	636 mm × 21.6 mm	4	1.14 kg	40.1 W	24 VDC	SMR-03V-B
MV-LLDS-H-700-40-W	White	30~500 mm	648 mm × 40 mm × 30 mm	636 mm × 31.6 mm	6	1.26 kg	73.2 W	24 VDC	SMR-03V-B
MV-LLDS-H-700-40-R	Red	30~500 mm	648 mm × 40 mm × 30 mm	636 mm × 31.6 mm	6	1.26 kg	41.8 W	24 VDC	SMR-03V-B
MV-LLDS-H-700-40-B	Blue	30~500 mm	648 mm × 40 mm × 30 mm	636 mm × 31.6 mm	6	1.26 kg	53.3 W	24 VDC	SMR-03V-B
MV-LLDS-H-700-40-IR850	IR850	30~500 mm	648 mm × 40 mm × 30 mm	636 mm × 31.6 mm	6	1.26 kg	59 W	24 VDC	SMR-03V-B
MV-LLDS-H-700-40-IR940	IR940	30~500 mm	648 mm × 40 mm × 30 mm	636 mm × 31.6 mm	6	1.26 kg	60.2 W	24 VDC	SMR-03V-B
MV-LLDS-H-800-30-W	White	30~500 mm	738 mm × 30 mm × 30 mm	726 mm × 21.6 mm	4	1.29 kg	53.6 W	24 VDC	SMR-03V-B
MV-LLDS-H-800-30-R	Red	30~500 mm	738 mm × 30 mm × 30 mm	726 mm × 21.6 mm	4	1.29 kg	31.9 W	24 VDC	SMR-03V-B
MV-LLDS-H-800-30-B	Blue	30~500 mm	738 mm × 30 mm × 30 mm	726 mm × 21.6 mm	4	1.29 kg	40.6 W	24 VDC	SMR-03V-B
MV-LLDS-H-800-30-IR850	IR850	30~500 mm	738 mm × 30 mm × 30 mm	726 mm × 21.6 mm	4	1.29 kg	45.1 W	24 VDC	SMR-03V-B
MV-LLDS-H-800-30-IR940	IR940	30~500 mm	738 mm × 30 mm × 30 mm	726 mm × 21.6 mm	4	1.29 kg	45.8 W	24 VDC	SMR-03V-B
MV-LLDS-H-800-40-W	White	30~500 mm	738 mm × 40 mm × 30 mm	726 mm × 31.6 mm	6	1.43 kg	70.9 W	24 VDC	SMR-03V-B
MV-LLDS-H-800-40-R	Red	30~500 mm	738 mm × 40 mm × 30 mm	726 mm × 31.6 mm	6	1.43 kg	47.8 W	24 VDC	SMR-03V-B
MV-LLDS-H-800-40-B	Blue	30~500 mm	738 mm × 40 mm × 30 mm	726 mm × 31.6 mm	6	1.43 kg	61.0 W	24 VDC	SMR-03V-B
MV-LLDS-H-800-40-IR850	IR850	30~500 mm	738 mm × 40 mm × 30 mm	726 mm × 31.6 mm	6	1.43 kg	67.7 W	24 VDC	SMR-03V-B
MV-LLDS-H-800-40-IR940	IR940	30~500 mm	738 mm × 40 mm × 30 mm	726 mm × 31.6 mm	6	1.43 kg	68.6 W	24 VDC	SMR-03V-B
MV-LLDS-H-900-30-W	White	30~500 mm	828 mm × 30 mm × 30 mm	816 mm × 21.6 mm	4	1.45 kg	60.2 W	24 VDC	SMR-03V-B
MV-LLDS-H-900-30-R	Red	30~500 mm	828 mm × 30 mm × 30 mm	816 mm × 21.6 mm	4	1.45 kg	35.8 W	24 VDC	SMR-03V-B
MV-LLDS-H-900-30-B	Blue	30~500 mm	828 mm × 30 mm × 30 mm	816 mm × 21.6 mm	4	1.45 kg	45.6 W	24 VDC	SMR-03V-B
MV-LLDS-H-900-30-IR850	IR850	30~500 mm	828 mm × 30 mm × 30 mm	816 mm × 21.6 mm	4	1.45 kg	50.6 W	24 VDC	SMR-03V-B
MV-LLDS-H-900-30-IR940	IR940	30~500 mm	828 mm × 30 mm × 30 mm	816 mm × 21.6 mm	4	1.45 kg	51.6 W	24 VDC	SMR-03V-B
MV-LLDS-H-900-40-W	White	30~500 mm	828 mm × 40 mm × 30 mm	816 mm × 31.6 mm	6	1.6 kg	93.9 W	24 VDC	Dual-channel SMR-03V-B
MV-LLDS-H-900-40-R	Red	30~500 mm	828 mm × 40 mm × 30 mm	816 mm × 31.6 mm	6	1.6 kg	53.8 W	24 VDC	Dual-channel SMR-03V-B
MV-LLDS-H-900-40-B	Blue	30~500 mm	828 mm × 40 mm × 30 mm	816 mm × 31.6 mm	6	1.6 kg	68.6 W	24 VDC	Dual-channel SMR-03V-B
MV-LLDS-H-900-40-IR850	IR850	30~500 mm	828 mm × 40 mm × 30 mm	816 mm × 31.6 mm	6	1.6 kg	76.1 W	24 VDC	Dual-channel SMR-03V-B
MV-LLDS-H-900-40-IR940	IR940	30~500 mm	828 mm × 40 mm × 30 mm	816 mm × 31.6 mm	6	1.6 kg	77.3 W	24 VDC	Dual-channel SMR-03V-B
MV-LLDS-H-1000-30-W	White	30~500 mm	918 mm × 30 mm × 30 mm	906 mm × 21.6 mm	4	1.61 kg	67.1 W	24 VDC	SMR-03V-B
MV-LLDS-H-1000-30-R	Red	30~500 mm	918 mm × 30 mm × 30 mm	906 mm × 21.6 mm	4	1.61 kg	39.8 W	24 VDC	SMR-03V-B
MV-LLDS-H-1000-30-B	Blue	30~500 mm	918 mm × 30 mm × 30 mm	906 mm × 21.6 mm	4	1.61 kg	50.9 W	24 VDC	SMR-03V-B
MV-LLDS-H-1000-30-IR850	IR850	30~500 mm	918 mm × 30 mm × 30 mm	906 mm × 21.6 mm	4	1.61 kg	56.4 W	24 VDC	SMR-03V-B

## Specification

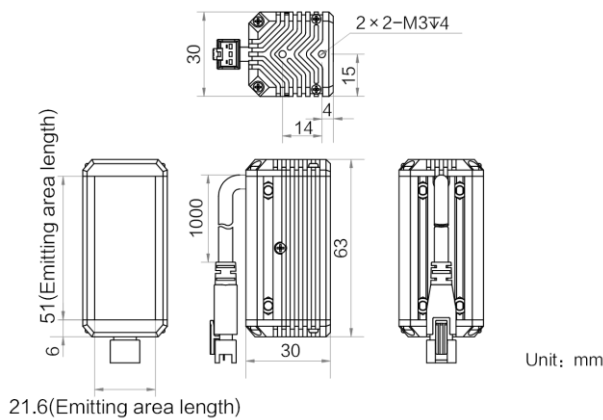
Model	Parameter	Performance		Mechanical			Electrical feature		
	Color	Best working distance	Dimension	Emitting area dimension	LED rows	Weight	Power	Input voltage	Connector type
MV-LLDS-H-1000-30-IR940	IR940	30~500 mm	918 mm × 30 mm × 30 mm	906 mm × 21.6 mm	4	1.61 kg	57.4 W	24 VDC	SMR-03V-B
MV-LLDS-H-1000-40-W	White	30~500 mm	918 mm × 40 mm × 30 mm	906 mm × 31.6 mm	6	1.77 kg	104.5 W	24 VDC	Dual-channel SMR-03V-B
MV-LLDS-H-1000-40-R	Red	30~500 mm	918 mm × 40 mm × 30 mm	906 mm × 31.6 mm	6	1.77 kg	59.5 W	24 VDC	Dual-channel SMR-03V-B
MV-LLDS-H-1000-40-B	Blue	30~500 mm	918 mm × 40 mm × 30 mm	906 mm × 31.6 mm	6	1.77 kg	76.3 W	24 VDC	Dual-channel SMR-03V-B
MV-LLDS-H-1000-40-IR850	IR850	30~500 mm	918 mm × 40 mm × 30 mm	906 mm × 31.6 mm	6	1.77 kg	84.5 W	24 VDC	Dual-channel SMR-03V-B
MV-LLDS-H-1000-40-IR940	IR940	30~500 mm	918 mm × 40 mm × 30 mm	906 mm × 31.6 mm	6	1.77 kg	85.9 W	24 VDC	Dual-channel SMR-03V-B
MV-LLDS-H-1200-30-W	White	30~500 mm	1098 mm × 30 mm × 30 mm	1086 mm × 21.6 mm	4	1.92 kg	80.3 W	24 VDC	Dual-channel SMR-03V-B
MV-LLDS-H-1200-30-R	Red	30~500 mm	1098 mm × 30 mm × 30 mm	1086 mm × 21.6 mm	4	1.92 kg	47.8 W	24 VDC	Dual-channel SMR-03V-B
MV-LLDS-H-1200-30-B	Blue	30~500 mm	1098 mm × 30 mm × 30 mm	1086 mm × 21.6 mm	4	1.92 kg	61 W	24 VDC	Dual-channel SMR-03V-B
MV-LLDS-H-1200-30-IR850	IR850	30~500 mm	1098 mm × 30 mm × 30 mm	1086 mm × 21.6 mm	4	1.92 kg	67.7 W	24 VDC	Dual-channel SMR-03V-B
MV-LLDS-H-1200-30-IR940	IR940	30~500 mm	1098 mm × 30 mm × 30 mm	1086 mm × 21.6 mm	4	1.92 kg	68.6 W	24 VDC	Dual-channel SMR-03V-B
MV-LLDS-H-1200-40-W	White	30~500 mm	1098 mm × 40 mm × 30 mm	1086 mm × 31.6 mm	6	2.11 kg	116.4 W	24 VDC	Dual-channel SMR-03V-B
MV-LLDS-H-1200-40-R	Red	30~500 mm	1098 mm × 40 mm × 30 mm	1086 mm × 31.6 mm	6	2.11 kg	71.5 W	24 VDC	Dual-channel SMR-03V-B
MV-LLDS-H-1200-40-B	Blue	30~500 mm	1098 mm × 40 mm × 30 mm	1086 mm × 31.6 mm	6	2.11 kg	91.7 W	24 VDC	Dual-channel SMR-03V-B
MV-LLDS-H-1200-40-IR850	IR850	30~500 mm	1098 mm × 40 mm × 30 mm	1086 mm × 31.6 mm	6	2.11 kg	101.3 W	24 VDC	Dual-channel SMR-03V-B
MV-LLDS-H-1200-40-IR940	IR940	30~500 mm	1098 mm × 40 mm × 30 mm	1086 mm × 31.6 mm	6	2.11 kg	103.2 W	24 VDC	Dual-channel SMR-03V-B
MV-LLDS-H-1300-40-W	White	30~500 mm	1188 mm × 40 mm × 30 mm	1172.6 mm × 31.6 mm	6	2 kg	116 W	24 VDC	Dual-channel SMR-03V-B
MV-LLDS-H-1400-30-W	White	30~500 mm	1278 mm × 30 mm × 30 mm	1266 mm × 21.6 mm	4	2.23 kg	93.7 W	24 VDC	Dual-channel SMR-03V-B
MV-LLDS-H-1400-30-R	Red	30~500 mm	1278 mm × 30 mm × 30 mm	1266 mm × 21.6 mm	4	2.23 kg	55.7 W	24 VDC	Dual-channel SMR-03V-B
MV-LLDS-H-1400-30-B	Blue	30~500 mm	1278 mm × 30 mm × 30 mm	1266 mm × 21.6 mm	4	2.23 kg	71.3 W	24 VDC	Dual-channel SMR-03V-B
MV-LLDS-H-1400-30-IR850	IR850	30~500 mm	1278 mm × 30 mm × 30 mm	1266 mm × 21.6 mm	4	2.23 kg	79 W	24 VDC	Dual-channel SMR-03V-B
MV-LLDS-H-1400-30-IR940	IR940	30~500 mm	1278 mm × 30 mm × 30 mm	1266 mm × 21.6 mm	4	2.23 kg	80.2 W	24 VDC	Dual-channel SMR-03V-B
MV-LLDS-H-1400-40-W	White	30~500 mm	1278 mm × 40 mm × 30 mm	1266 mm × 31.6 mm	6	2.45 kg	116.5 W	24 VDC	Dual-channel SMR-03V-B
MV-LLDS-H-1400-40-R	Red	30~500 mm	1278 mm × 40 mm × 30 mm	1266 mm × 31.6 mm	6	2.45 kg	83.5 W	24 VDC	Dual-channel SMR-03V-B
MV-LLDS-H-1400-40-B	Blue	30~500 mm	1278 mm × 40 mm × 30 mm	1266 mm × 31.6 mm	6	2.45 kg	107 W	24 VDC	Dual-channel SMR-03V-B
MV-LLDS-H-1400-40-IR850	IR850	30~500 mm	1278 mm × 40 mm × 30 mm	1266 mm × 31.6 mm	6	2.45 kg	118.3 W	24 VDC	Dual-channel SMR-03V-B
MV-LLDS-H-1400-40-IR940	IR940	30~500 mm	1278 mm × 40 mm × 30 mm	1266 mm × 31.6 mm	6	2.45 kg	120 W	24 VDC	Dual-channel SMR-03V-B

## Other Parameter

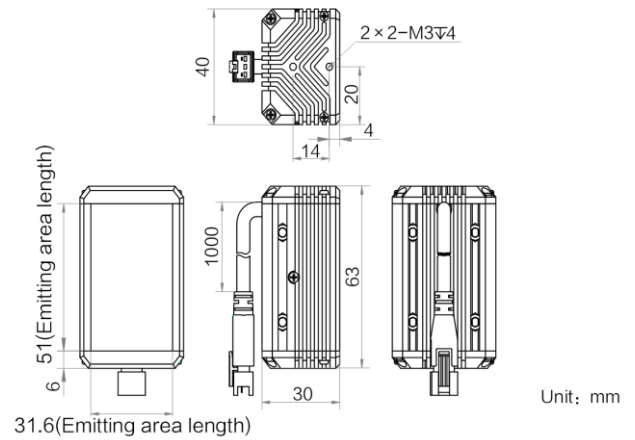
Model	MV-LLDS-H
Parameter	Bar Light
<b>Performance</b>	
<b>Wavelength</b>	R: 625 nm B: 465 nm IR850: 850 nm IR940: 940 nm
<b>Color temperature</b>	W: 6000K to 7500K
<b>Mechanical</b>	
<b>Cable length</b>	1 m
<b>Cooling mode</b>	Natural cooling
<b>Temperature</b>	Working temperature: 0 °C to 40 °C (32 °F to 104 °F) Storage temperature: -20 °C to 60 °C (-4 °F to 140 °F)
<b>Humidity</b>	20% RH to 90% RH (no condensation)
<b>Diffuse plate included</b>	PMMA

## Dimension

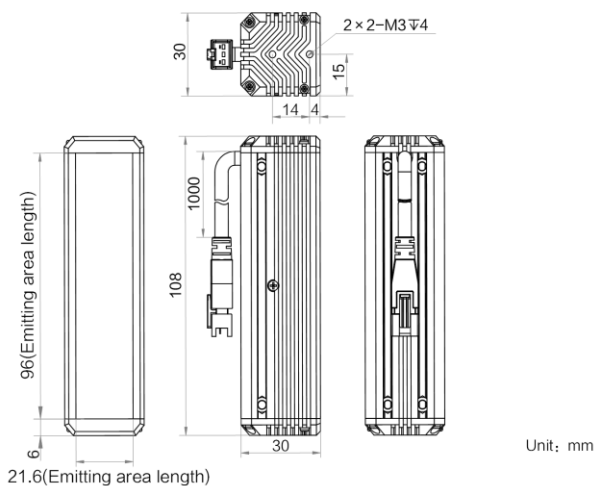
MV-LLDS-H-50-30-\*



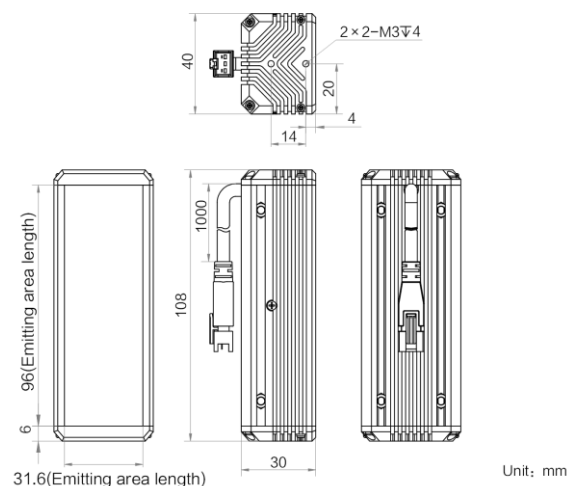
MV-LLDS-H-50-40-\*



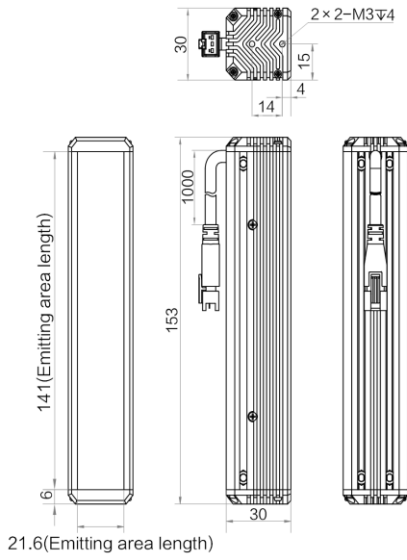
MV-LLDS-H-100-30-\*



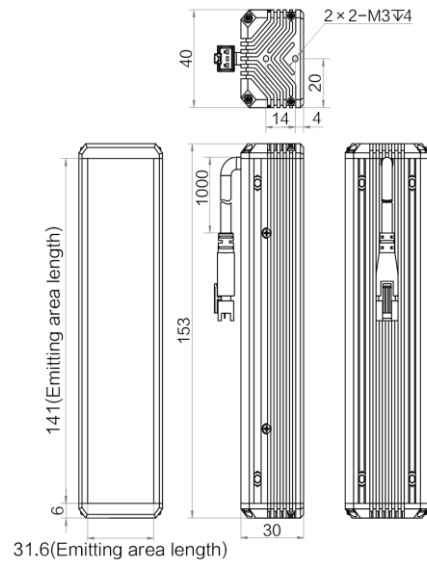
MV-LLDS-H-100-40-\*



### MV-LLDS-H-150-30-\*

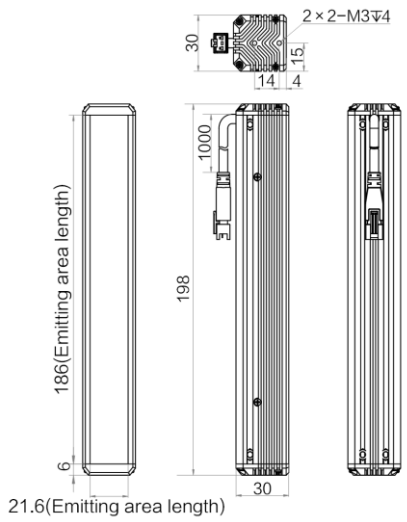


### MV-LLDS-H-150-40-\*



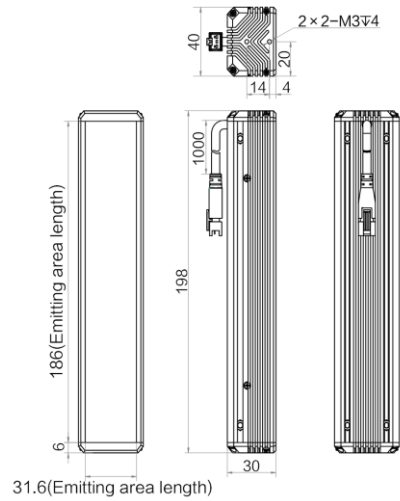
Unit: mm

### MV-LLDS-H-200-30-\*



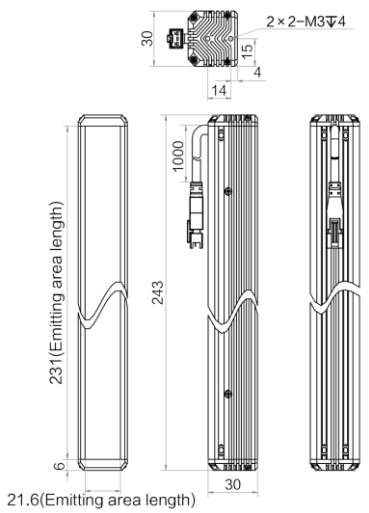
Unit: mm

### MV-LLDS-H-200-40-\*



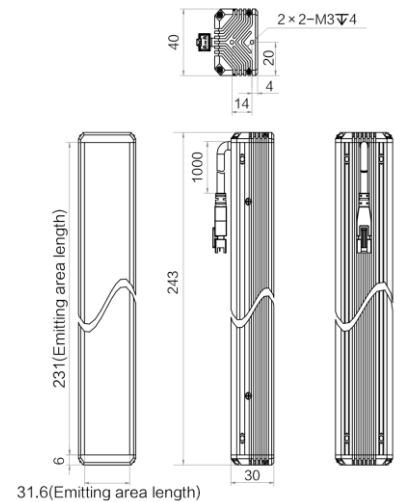
Unit: mm

### MV-LLDS-H-250-30-\*



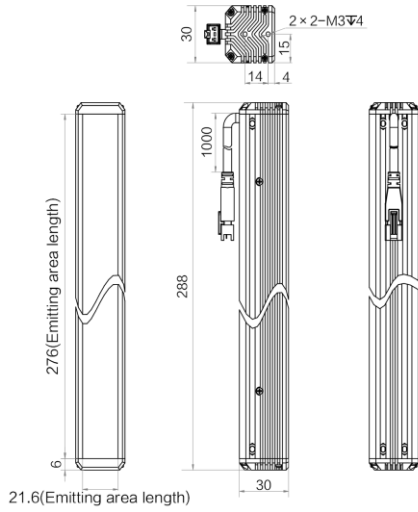
Unit: mm

### MV-LLDS-H-250-40-\*



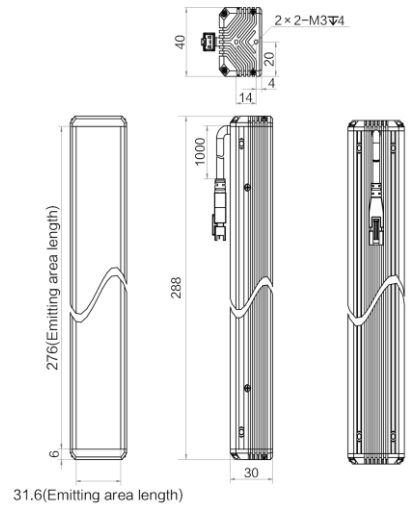
Unit: mm

### MV-LLDS-H-300-30-\*



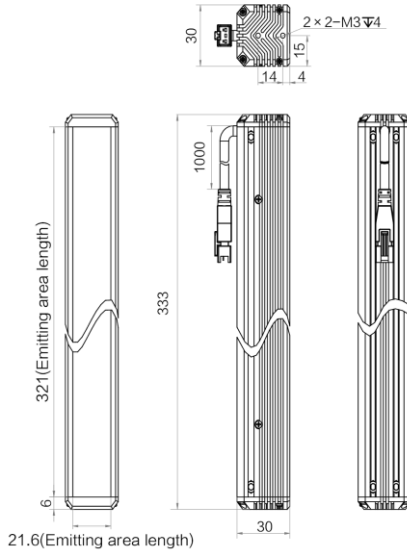
Unit: mm

### MV-LLDS-H-300-40-\*



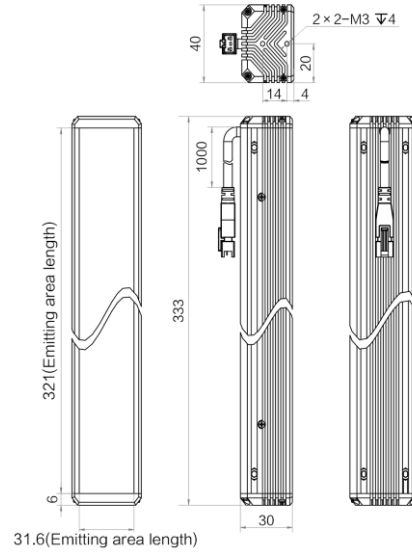
Unit: mm

### MV-LLDS-H-350-30-\*



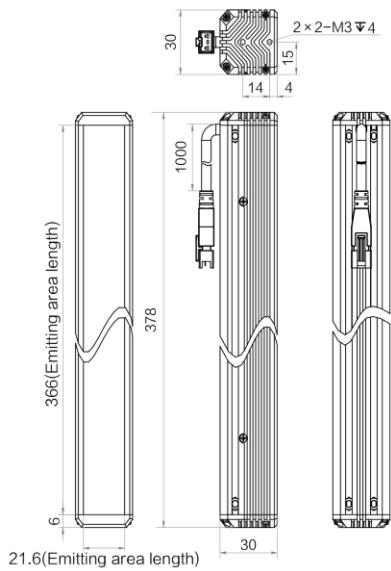
Unit: mm

### MV-LLDS-H-350-40-\*



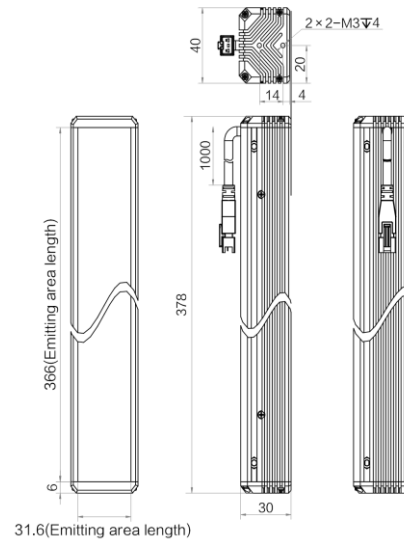
Unit: mm

### MV-LLDS-H-400-30-\*



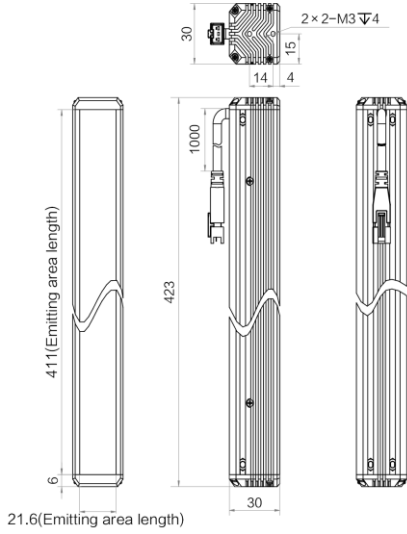
Unit: mm

### MV-LLDS-H-400-40-\*



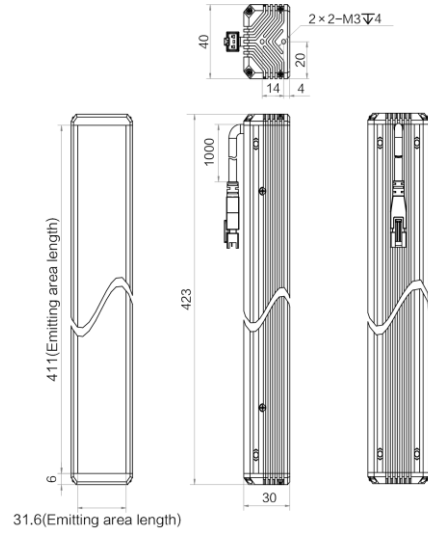
Unit: mm

MV-LLDS-H-450-30-\*



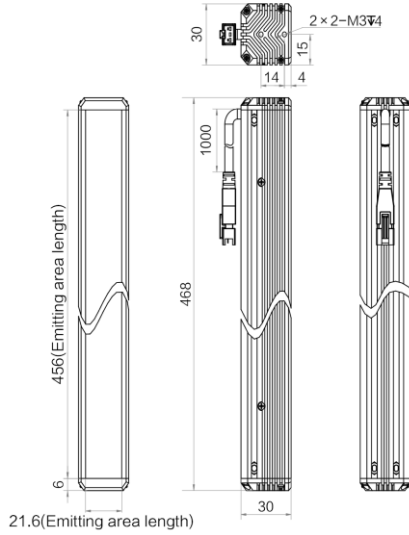
Unit: mm

MV-LLDS-H-450-40-\*



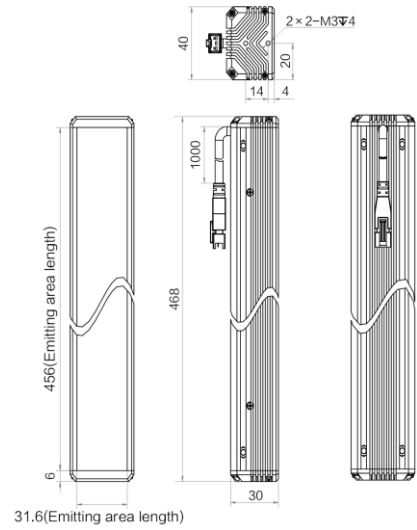
Unit: mm

MV-LLDS-H-500-30-\*



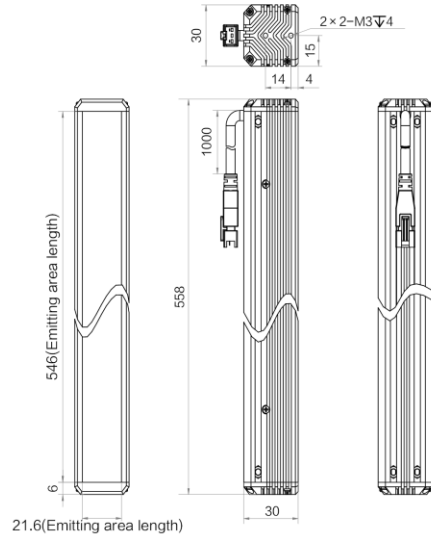
Unit: mm

MV-LLDS-H-500-40-\*



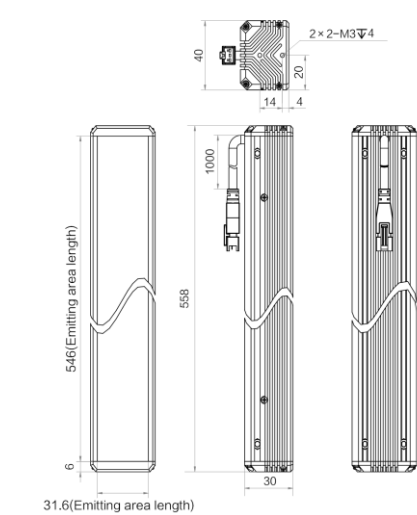
Unit: mm

MV-LLDS-H-600-30-\*



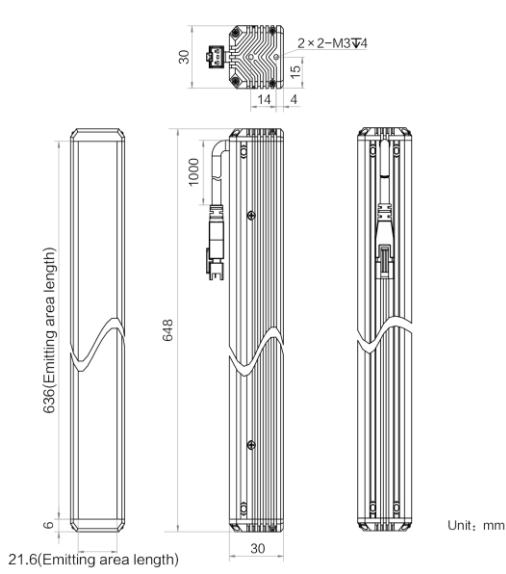
Unit: mm

MV-LLDS-H-600-40-\*

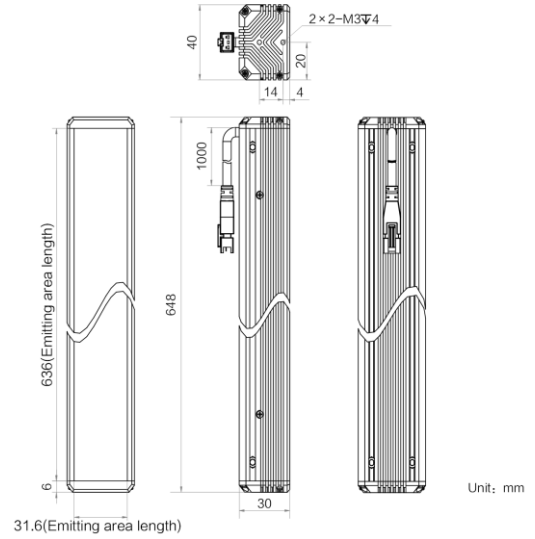


Unit: mm

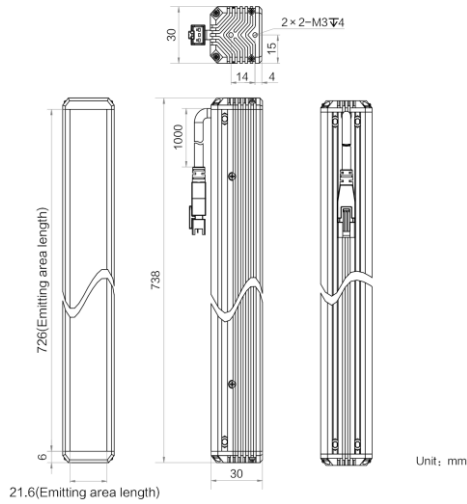
**MV-LLDS-H-700-30-\***



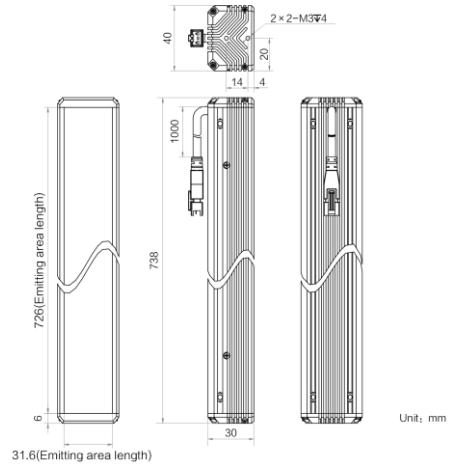
**MV-LLDS-H-700-40-\***



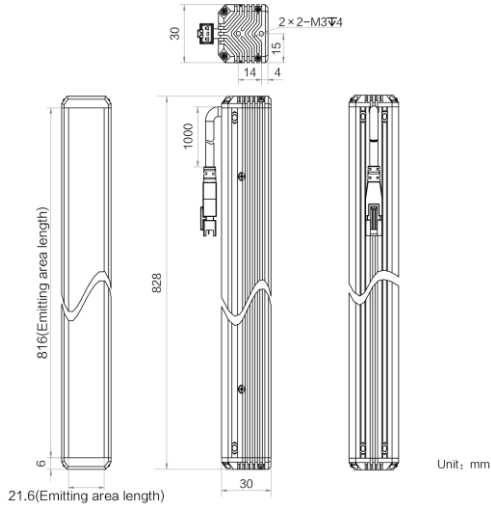
**MV-LLDS-H-800-30-\***



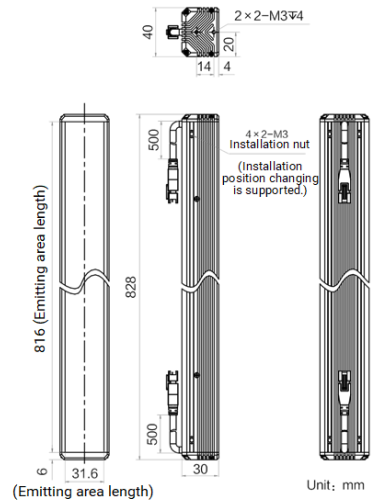
**MV-LLDS-H-800-40-\***



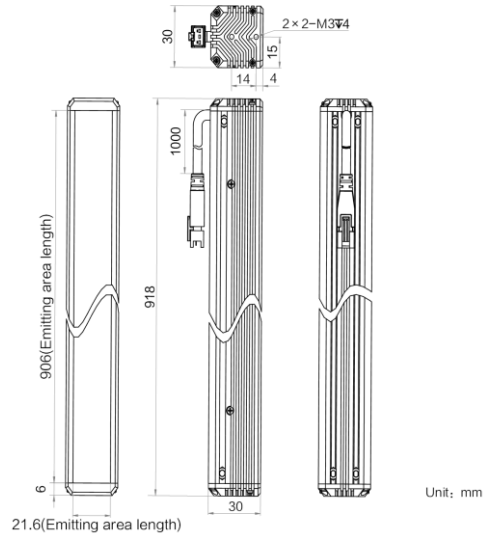
**MV-LLDS-H-900-30-\***



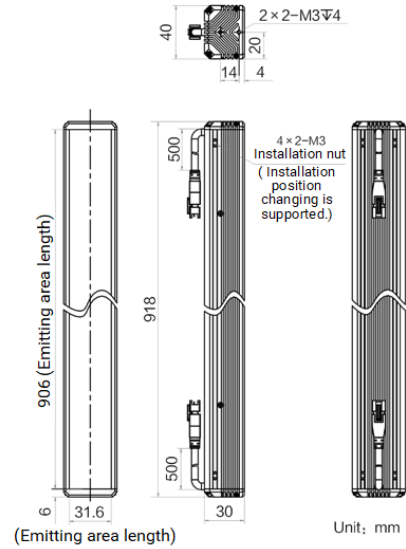
**MV-LLDS-H-900-40-\***



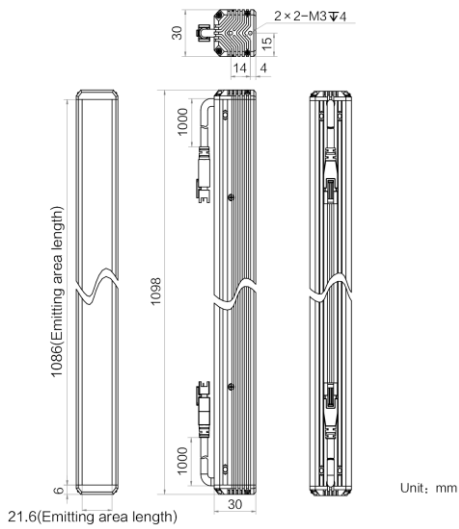
### MV-LLDS-H-1000-30-\*



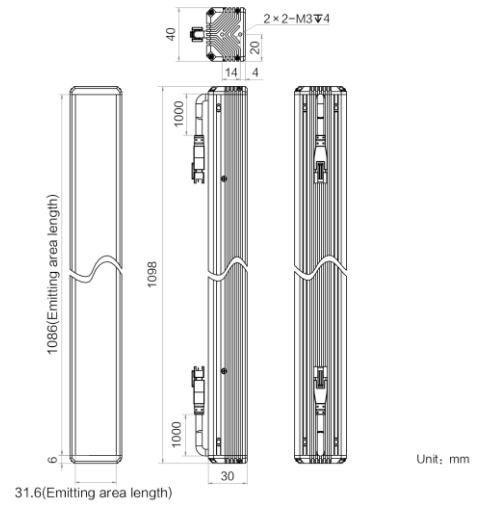
### MV-LLDS-H-1000-40-\*



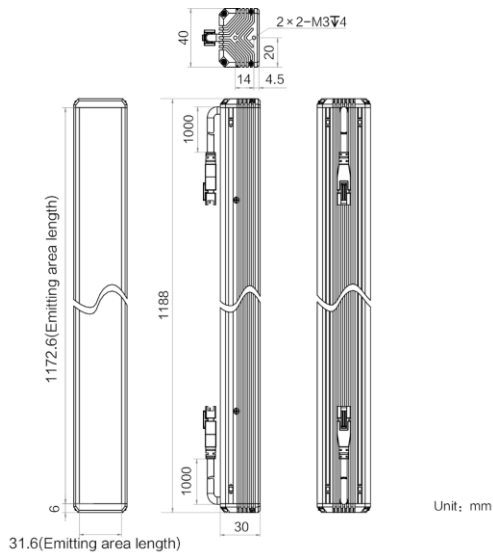
### MV-LLDS-H-1200-30-\*



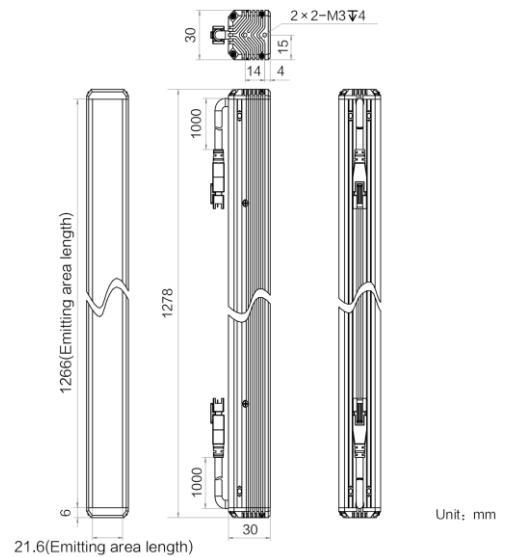
### MV-LLDS-H-1200-40-\*



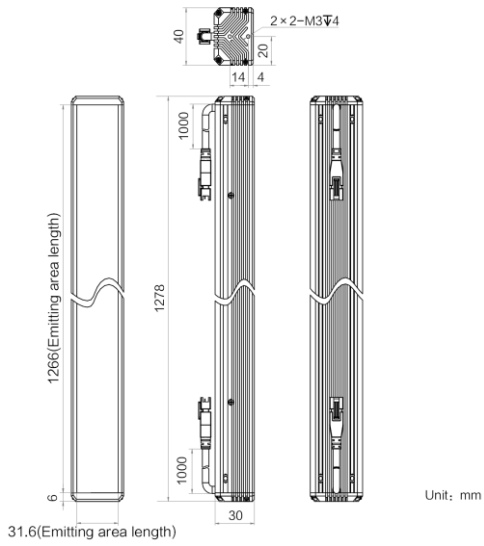
### MV-LLDS-H-1300-40-\*



### MV-LLDS-H-1400-30-\*



MV-LLDS-H-1400-40-\*



**HIKROBOT**

Hangzhou Hikrobot Co., Ltd.  
en.hikrobotics.com

 **AGT** Absolute Gauge Technologies™

Presented by: Absolute Gauge Technologies  
sales@absolute-gauge.com; www.absolute-gauge.com,  
Toronto: 416 754 3168, Montreal: 514 695 5147, Toll Free: 1 888 754 7008

© Hangzhou Hikrobot Co., Ltd. All Rights Reserved.

Hangzhou Hikrobot does not tolerate any infringement. Any organization or individual may not imitate or reproduce in whole or in part of the content. The data herein is based on Hikrobot's internal evaluation. Actual data may vary depending on specific configuration and operating condition. The information herein is subject to change without notice. All the content has been checked conscientiously. Nevertheless, Hikrobot shall not be liable to damages resulting from errors, inconsistencies or omissions.