

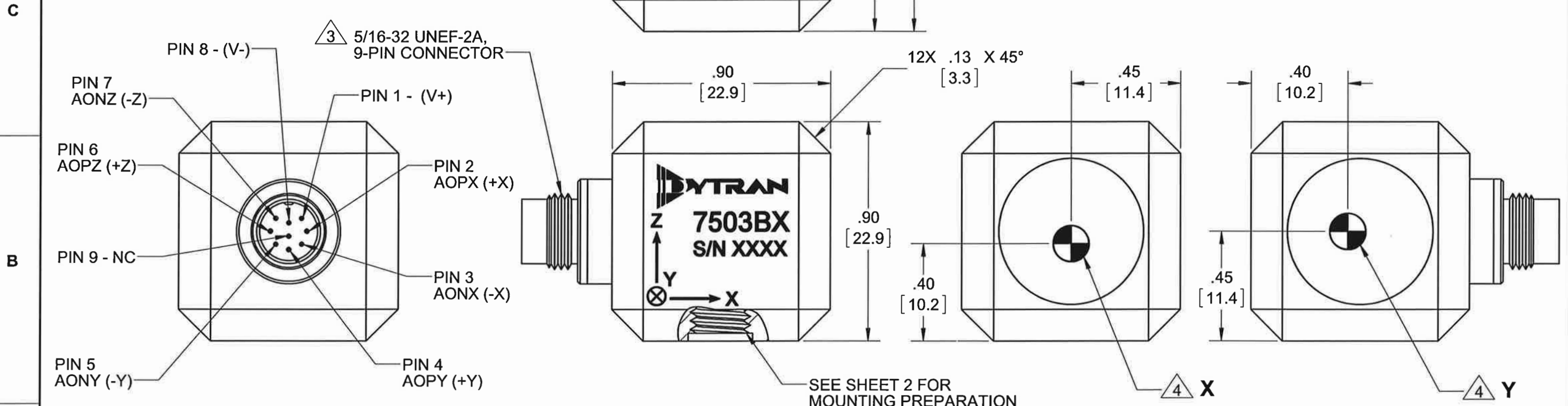
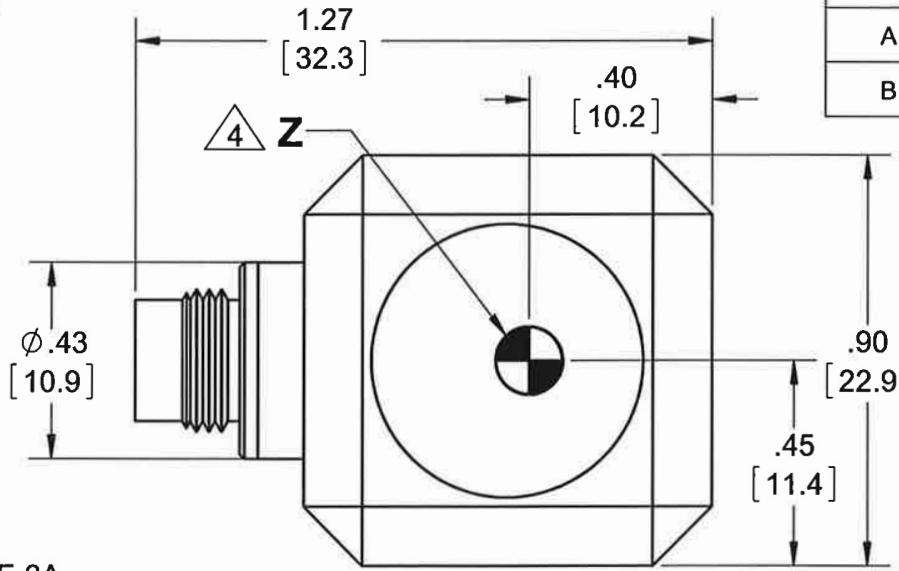
PROPRIETARY AND CONFIDENTIAL

THE INFORMATION CONTAINED IN THIS DRAWING IS THE SOLE PROPERTY OF DYTRAN INSTRUMENTS INC. ANY REPRODUCTION IN PART OR AS A WHOLE WITHOUT THE WRITTEN PERMISSION OF DYTRAN INSTRUMENTS INC. IS PROHIBITED

REVISIONS

REV.	ECN	DESCRIPTION	BY/DATE	CHK	APPR
A	10316	INITIAL RELEASE	JS 08/29/13	EM	RT
B	11499	ADDED: 6691, SHEET 2	RA, 11/07/14	EM	RT

MODEL	REV	ECN	DATE	INPUT RANGE
7503B1	B	11499	11/07/14	±2g
7503B2	B	11499	11/07/14	±5g
7503B3	B	11499	11/07/14	±10g
7503B4	B	11499	11/07/14	±25g
7503B5	B	11499	11/07/14	±50g
7503B6	B	11499	11/07/14	±100g
7503B7	B	11499	11/07/14	±200g
7503B8	B	11499	11/07/14	±400g



- 4 MARKING DENOTES LOCATION OF SENSING ELEMENT'S CENTER OF MASS
- 3 MATES WITH DYTRAN 6964AXX CABLE (XX DENOTES LENGTH IN FT)

2. WEIGHT: 35 GRAMS, MAX.
 1. MATERIAL: TITANIUM ALLOY.
 NOTES: UNLESS OTHERWISE SPECIFIED

UNLESS OTHERWISE SPECIFIED: INTERPRET DIM & TOL PER ASME Y14.5M - 1994. REMOVE BURRS. COUNTERSINK INTERNAL THDS 90° TO MAJOR DIA. CHAM EXT THDS 45° TO MINOR DIA. THD LENGTHS AND DEPTHS ARE FOR MIN FULL THDS. DIMENSIONS APPLY AFTER FINISHING.

ALL MACHINED SURFACES. TOTAL RUNOUT WITHIN .005. BREAK SHARP EDGES .005 TO .010. MACHINED FILLET RADII .005 TO .015. WELDING SYMBOLS PER AWS A2.4. ABBREVIATIONS PER MIL-STD-12.

DECIMALS	METRIC	ANGLES
.XX ±.03	X ± 0.8	±1°
.XXX ±.010	.XX ±0.25	

APPROVALS	DATE
ORIG JS	08/29/13
CHK EM	12/03/13
APP RT	12/03/13

DO NOT SCALE DRAWING

THIRD ANGLE PROJECTION USA

DYTRAN INSTRUMENTS, INC. Chatsworth, CA

MASTER ONLY IF IN RED

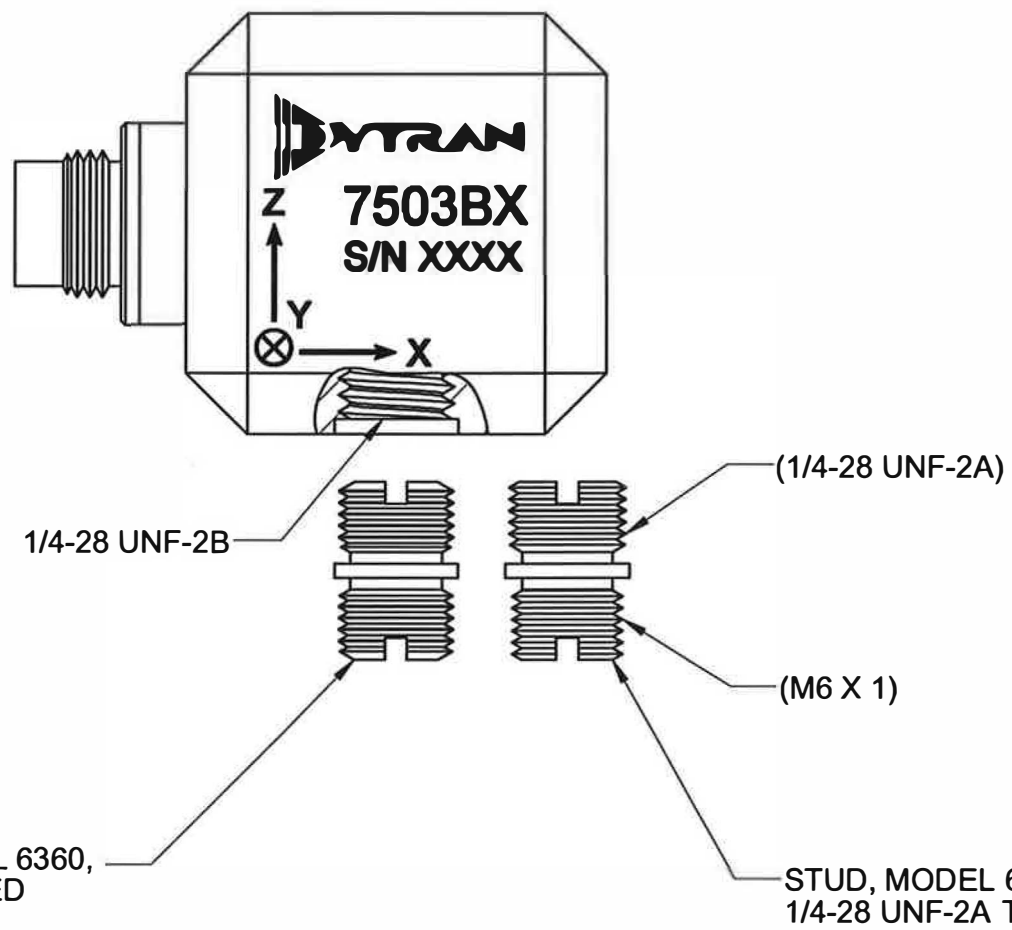
TITLE: OUTLINE/INSTALLATION DWG, TRIAXIAL DC ACCELEROMETER, 7503B SERIES

SIZE	CAGE CODE	DWG NO	REV
B	2W033	127-7503B	B

SCALE: 2:1 SHEET 1 OF 2

PROPRIETARY AND CONFIDENTIAL

THE INFORMATION CONTAINED IN THIS DRAWING IS THE SOLE PROPERTY OF DYTRAN INSTRUMENTS INC. ANY REPRODUCTION IN PART OR AS A WHOLE WITHOUT THE WRITTEN PERMISSION OF DYTRAN INSTRUMENTS INC. IS PROHIBITED



RECOMMENDED MOUNTING PREPARATION:
 PREPARE FLAT MOUNTING SURFACE, $\phi 1.25$ [31.2] MIN, FLAT TO .001 TIR.
 TAP 1/4-28 UNF-2B $\nabla .200$ [5.1] MIN. TORQUE TO 10-12 Lb-in.

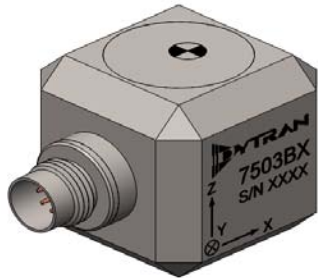
RECOMMENDED MOUNTING PREPARATION:
 PREPARE FLAT MOUNTING SURFACE, $\phi 1.25$ [31.2] MIN, FLAT TO .001 TIR.
 TAP M6 X 1 $\nabla .200$ [5.1] MIN. TORQUE TO 10-12 Lb-in.

		MASTER ONLY IF IN RED Chatsworth, CA	
TITLE: OUTLINE/INSTALLATION DWG, TRIAXIAL DC ACCELEROMETER, 7503B SERIES			
SIZE B	CAGE CODE 2W033	DWG NO 127-7503B	REV B
SCALE: 2:1	PART NO:	SHEET 2 OF 2	



Presented by: Absolute Gauge Technologies
 sales@absolutegauge.com; www.absolutegauge.com,
 Toronto: 416 754 3168, Montreal: 514 695 5147, Toll Free: 1 888 754 7008

Model Number 7503B6	PERFORMANCE SPECIFICATION	DOC NO PS7503B6
	TRIAxIAL VARIABLE CAPACITANCE ACCELEROMETER	REV E, ECN 11630 12/30/14



- VARIABLE CAPACITANCE TECHNOLOGY
- DIFFERENTIAL MODE
- HERMETICALLY SEALED
- DC RESPONSE

	ENGLISH		SI	
PHYSICAL				
Weight, Max	1.2	oz	35	grams
Connector	9-pin, 5/16-32 UNEF-2A		9-pin, 5/16-32 UNEF-2A	
Material	Titanium Alloy		Titanium Alloy	
Sensing Technology	MEMS		MEMS	
PERFORMANCE				
Input Range	±100	g	±981	m/s ²
Frequency Response (3dB)	0 - 2500		0 - 2500	
Frequency Response (±5%)	0 - 1000		0 - 1000	
Sensitivity Differential, ±5% [1]	40	mV/g	4.1	mV/m/s ²
Output Noise, Differential, Typ	100	µg rms/√Hz	981	µm/s ² /√Hz
Non-Linearity, Max [2]	0.5		0.5	
Cross Axis Sensitivity, Max	3		3	
ENVIRONMENTAL				
Maximum Mechanical Shock (0.1 ms)	±5000	gpk	±49050	m/s ² peak
Bias Temperature Shift, Max [3]	167	(ppm of span)/°F	300	(ppm of span)/°C
Bias Calibration Error, Max	4		4	
Operating Temperature Range	-40 to +250		-40 to +121	
Seal	Hermetic		Hermetic	
ELECTRICAL				
Output Common Mode Voltage, Typ	2.5		2.5	
Output Impedance	<100		<100	
Operating Voltage	+9 to +36		+9 to +36	
Operating Current (AOP & AON open), Max	35		35	
Power Supply Rejection Ratio	>65		>65	

This family also includes:

Model	Input Range (g)	Frequency response (Hz)	Sensitivity Differential, ±5% (mV/g)	Max.Shock (0.1ms) g (peak)	Noise Differential (µg/√Hz)
7503B1	±2	0-400	2,000	2000	5
7503B2	±5	0-600	800	2000	7
7503B3	±10	0-1000	400	5000	10
7503B4	±25	0-1500	160	5000	25
7503B5	±50	0-2000	80	5000	50
7503B7	±200	0-3000	20	5000	200
7503B8	±400	0-4000	10	5000	400

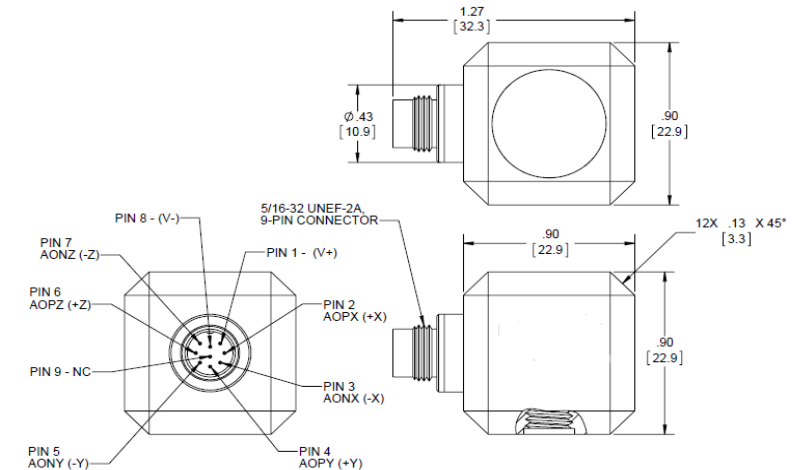
Refer to the performance specifications of the products in this family for detailed description.

Supplied Accessories:

- 1) Accredited calibration certificate (ISO 17025)
- 2) Mounting stud, Model 6360, 1/4-28 UNF-2A, Qty 1
- 3) Mounting stud, Model 6691, 1/4-28 UNF-2A to M6 X 1, Qty 1

Notes:

- [1] Single ended sensitivity is half of values shown. (Ref. at 100 Hz)
- [2] -90% to +90% of Full Scale.
- [3] Over the rated temperature range.
- [4] In the interest of constant product improvement, we reserve the right to change specifications without notice.



Units on the line drawing are in inches. Refer to 127-7503B for more information.



21592 Marilla Street, Chatsworth, California 91311 Phone: 818.700.7818 Fax: 818.700.7880 www.dytran.com
For permission to reprint this content, please contact info@dytran.com



Presented by: Absolute Gauge Technologies
sales@absolute-gauge.com; www.absolute-gauge.com,
Toronto: 416 754 3168, Montreal: 514 695 5147, Toll Free: 1 888 754 7008