

# MV-IDH7000B

## 1 MP Wireless Handheld Code Reader



### Introduction

MV-IDH7000B series wireless handheld code reader adopts code reading algorithm to provide good decoding capability for DPM. It can read different types of one-dimensional and two-dimensional codes, and output codes rapidly. It adopts illumination system to provide direct lighting and diffused reflection lighting. With adaptive smart bases, the device can realize charging and data communication.

### Key Feature

- Adopts code reading algorithm to provide good decoding capability.
- Provides good robustness to read codes with spots, defects and low contrast ratio.
- Adopts Bluetooth 5.0 wireless technology to provide convenient and efficient operations.
- With smart bases, parameter configuration and device management via IDMVS client software are supported.
- Adopts 3150 mAh battery to provide long battery life.
- Adopts illumination system to provide direct lighting and diffused reflection lighting.
- Supports IP65 and drop height of 1.8 m.

### Available Model

MV-IDH7010B-07-NR

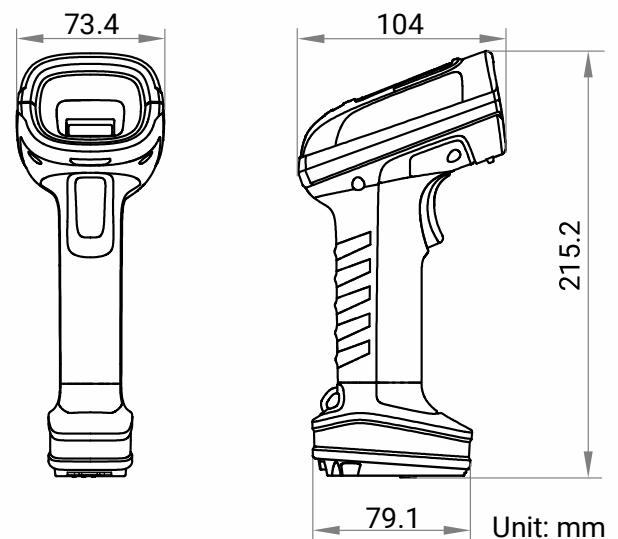
### Applicable Industry

PCB, new energy, consumer electronics, semiconductor, automobile parts, etc.

### Accessories

- Smart base with network interface: MV-IDA-H70-IBASE-01L
- Smart base with USB interface: MV-IDA-H70-IBASE-01U

### Dimension



## Specification

<b>Model</b>	<b>MV-IDH7010B-07-NR</b>
<b>Performance</b>	
<b>Symbologies</b>	1-dimensional codes: Code 39, Code 93, Code 128, CodaBar, EAN 8, EAN 13, ITF 14, ITF 25, UPCA, UPCE
	2-dimensional codes: QR Code, Data Matrix
<b>Min. accuracy</b>	3 mil
<b>Max. frame rate</b>	50 fps
<b>Sensor type</b>	CMOS, global shutter
<b>Pixel size</b>	3 μm × 3 μm
<b>Sensor size</b>	1/4"
<b>Resolution</b>	1280 × 800
<b>Depth of field*</b>	Code 39 (3 mil): 15 mm to 60 mm, Code 39 (5 mil): 5 mm to 80 mm, Data Matrix (5 mil): 10 mm to 70 mm, Data Matrix (10 mil): 0 mm to 110 mm, QR Code (5 mil): 10 mm to 70 mm
<b>Field of view</b>	Horizontal 31°, vertical 20°
<b>Detection angle</b>	Tilt angle ± 60°, skew angle ± 60°, rotation angle 360°
<b>Symbol contrast</b>	20%
<b>Wireless communication</b>	
<b>Bluetooth</b>	BT 5.0, 2.4 GHz to 2.4835 GHz, BLE
<b>Wireless range</b>	100 m (open range)
<b>Electrical feature</b>	
<b>Battery</b>	3150 mAh, lithium battery
<b>Charging time</b>	Adapter charging: 4 h, USB charging: 8 h
<b>Number of scan</b>	26000 times (full charging)
<b>Power supply</b>	3.8 VDC (battery provides power)
<b>Max. power consumption</b>	Standby mode: 1.1 W@3.8 VDC, working mode: 6.4 W@3.8 VDC, sleep mode: 0.8 W@3.8 VDC
<b>Mechanical</b>	
<b>Focal length</b>	6.7 mm
<b>Lens mount</b>	M5.8-mount
<b>Ambient illumination</b>	0 lux to 100000 lux
<b>Light source</b>	Direct: white LED; diffused reflection: red LED
<b>Aiming system</b>	Cross laser aiming
<b>Prompt</b>	LED indicator, buzzer, vibrator
<b>Dimension</b>	73.4 mm × 104 mm × 215.2 mm (2.9" × 4.1" × 8.5")
<b>Weight</b>	Approx. 410 g (0.9 lb.)
<b>Ingress protection</b>	IP65
<b>Temperature</b>	Working temperature: -20 °C to 50 °C (-4 °F to 122 °F), storage temperature: -30 °C to 60 °C (-22 °F to 140 °F), charging temperature: 0 °C to 45 °C (32 °F to 113 °F)
<b>Humidity</b>	20% to 95% RH, non-condensing
<b>Drop height</b>	1.8 m (70.9")

## Specification

<b>General</b>	
<b>Client software</b>	IDMVS
<b>Certification</b>	CE, FCC

\*(Test condition: Environment temperature=25 °C (77 °F), ambient illumination=250 lux filament lamp, Hikrobot's test symbologies are used.)