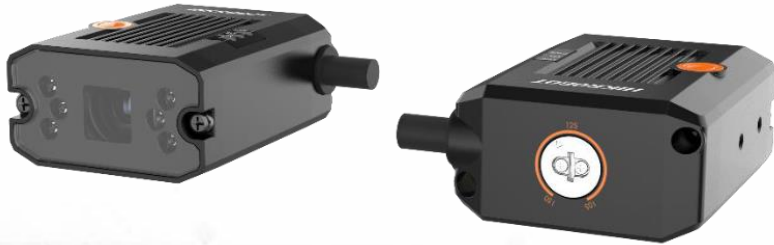


MV-ID2013M (Long Focal Length)

1.3 MP Smart Code Reader



Introduction

MV-ID2013M (Long Focal Length) smart code reader can read different types of 1-dimensional and 2-dimensional codes, and its max. reading speed reaches 45 codes/sec. It adopts deep learning algorithm to process images with good robustness, and can recognize various codes.

Applicable Industry

Consumer electronics, food and beverage, pharmaceutical, semiconductor, new energy, etc.

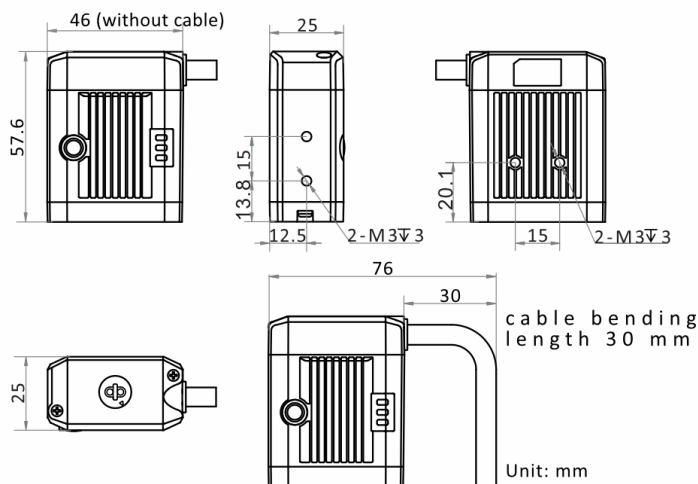
Available Model

- Device with 16 mm focal length: MV-ID2013M-16S-RBN
- Device with 25 mm focal length: MV-ID2013M-25S-RBN

Key Feature

- Compact design and small in size.
- Adopts focus knob for adjusting focusing manually.
- Adopts multiple IO interfaces and plug-in power interface.
- Supports multiple communication protocols, including TCP, Serial, FTP, Profinet, Ethernet/IP, MELSEC/SLMP, etc.

Dimension



Specification

Model	MV-ID2013M-16S-RBN	MV-ID2013M-25S-RBN
Performance		
Symbologies	1-dimensional codes: Code 39, Code 93, Code 128, ITF 14, ITF 25, CodaBar, EAN 8, EAN 13, UPCA, UPCE	
	2-dimensional codes: QR Code, Data Matrix	
Max. frame rate	60 fps	
Max. reading speed	45 codes/sec	
Sensor type	CMOS, global shutter	
Pixel size	4 μm \times 4 μm	
Sensor size	1/2.7"	
Resolution	1280 \times 1024	
Exposure time	40 μs to 1 sec	
Gain	0 dB to 15 dB	
Mono/color	Mono	
Communication protocol	SmartSDK, TCP Client, Serial, FTP, HTTP, TCP Server, Profinet, MELSEC/SLMP, Ethernet/IP, ModBus, UDP, Fins	
Optics		
Focal length	16 mm (0.6")	25 mm (1.0")
Working distance	105 mm to 150 mm (4.1" to 5.9")	170 mm to 200 mm (6.7" to 7.9")
Ambient illumination	0 lux to 50000 lux	
Light source	Red LED	
Aiming system	Not supported	
Electrical feature		
Data interface	Fast Ethernet	
Digital I/O	17-pin M12 connector provides power and I/O, including none-isolated input \times 1 (Line 2), none-isolated output \times 1 (Line 3), configurable bi-directional none-isolated I/O \times 2 (Line 0/1), RS-232 \times 1. Device trigger via pressing button supported.	
Power supply	12 VDC to 24 VDC	
Max. power consumption	Approx. 24 W@12 VDC	
Mechanical		
Lens mount	M12-mount, adjusting focus manually supported	
Indicator	Power indicator (PWR), network indicator (LNK), and status indicator (STS).	
Dimension	46 mm \times 25 mm \times 57.6 mm (1.8" \times 1.0" \times 2.3")	
Weight	Approx. 215 g (0.5 lb.)	
Ingress protection	IP65	
Temperature	Working temperature: 0 $^{\circ}\text{C}$ to 50 $^{\circ}\text{C}$ (32 $^{\circ}\text{F}$ to 122 $^{\circ}\text{F}$) Storage temperature: -30 $^{\circ}\text{C}$ to 70 $^{\circ}\text{C}$ (-22 $^{\circ}\text{F}$ to 158 $^{\circ}\text{F}$)	
Humidity	20% to 95% RH, non-condensing	
General		
Client software	IDMVS	
Certification	CE, FCC, RoHS	