

MV-ID2004M-16T

0.4 MP Smart Code Reader



Introduction

MV-ID2004M-16T smart code reader can read different types of 1-dimensional and 2-dimensional codes, and its max. reading speed reaches 45 codes/sec. It adopts high-speed focus adjustment technology for fast focus adjustment, and is a good selection for the mixed line production.

Key Feature

- Supports high-speed focus adjustment for switching working distance.
- Compact design and small in size, and can be installed in narrow space.
- Adopts LED aiming light to aim targets.
- Adopts multiple IO interfaces and plug-in power interface for easy wiring.
- Supports multiple communication protocols, including TCP, Serial, FTP, HTTP, etc.

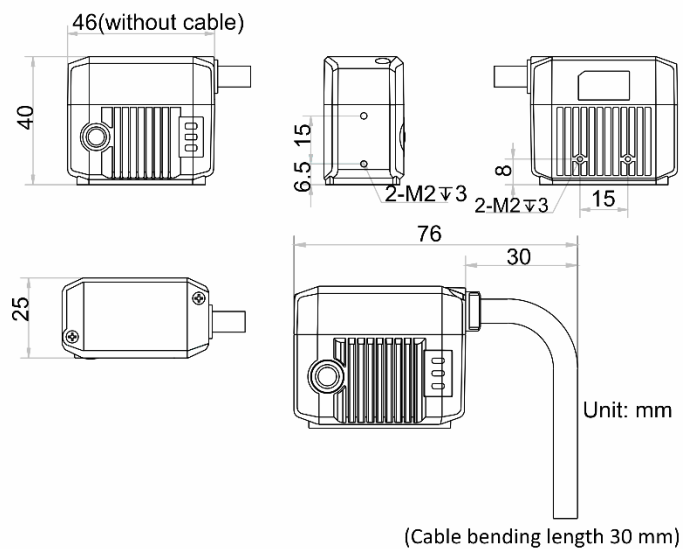
Available Model

MV-ID2004M-16T-RBN

Applicable Industry

Consumer electronics, food and beverage, pharmaceutical, semiconductor, new energy, etc.

Dimension



Specification

Model	MV-ID2004M-16T-RBN
Performance	
Symbologies	1-dimensional codes: Code 39, Code 93, Code 128, ITF 14, ITF 25, CodaBar, EAN 8, EAN 13, UPCA, UPCE 2-dimensional codes: QR Code, Data Matrix
Max. frame rate	60 fps
Max. reading speed	45 codes/sec
Sensor type	CMOS, global shutter
Pixel size	6.9 μm \times 6.9 μm
Sensor size	1/2.9"
Resolution	704 \times 540
Exposure time	16 μs to 1 sec
Gain	0 dB to 40 dB
Mono/color	Mono
Communication protocol	SmartSDK, TCP Client, Serial, FTP, HTTP, TCP Server, Profinet, MELSEC, Ethernet/IP, ModBus, UDP, Fins, SLMP
Optics	
Focal length	16 mm (0.63")
Working distance	100 mm to 400 mm (3.94" to 15.75")
Ambient illumination	0 lux to 50000 lux
Light source	Red color
Aiming system	Orange LED
Electrical feature	
Data interface	Fast Ethernet
Digital I/O	17-pin M12 connector provides power and I/O, including configurable bi-directional non-isolated I/O \times 2 (Line 0/1), non-isolated input (Line 2) \times 1, non-isolated output (Line 3) \times 1, and RS-232 \times 1. Device trigger via pressing trigger button supported.
Power supply	12 VDC to 24 VDC
Max. power consumption	Approx. 11 W@12 VDC
Mechanical	
Indicator	Power indicator (PWR), network indicator (LNK), and status indicator (STS).
Dimension	46 mm \times 40 mm \times 25 mm (1.81" \times 1.57" \times 0.98")
Weight	Approx. 135 g (0.30 lb.)
Ingress protection	IP65
Temperature	Working temperature: 0 $^{\circ}\text{C}$ to 50 $^{\circ}\text{C}$ (32 $^{\circ}\text{F}$ to 122 $^{\circ}\text{F}$) Storage temperature: -30 $^{\circ}\text{C}$ to 70 $^{\circ}\text{C}$ (-22 $^{\circ}\text{F}$ to 158 $^{\circ}\text{F}$)
Humidity	20% to 95% RH, non-condensing
General	
Client software	IDMVS
Certification	CE, FCC, RoHS