

MV-ID1013D

Code Reader Module



Introduction

With code recognition technology, MV-ID1013D code reader module can read different types of codes, and output corresponding information. It is applicable to smart devices that require scanning and reading codes like PDA, tablet, thin and light devices, etc.

Key Feature

- Adopts code recognition technology to read different types of codes.
- Adopts high robustness algorithm to read incomplete, dirty and low contrast codes.
- Adopts 1.3 MP global sensor to provide high-quality images.
- Adopts cross laser to aim targets.
- Provides SDK for flexible applications.
- Compact size is able to fit into space constrained application environments.

Applicable Industry

Handheld terminals and PDAs, tablet devices, thin and light devices, etc.

Available Model

- Near range with 5-pin interface: MV-ID1013D-05-W2U-NR
- Near range with 12-pin interface: MV-ID1013D-05-W2S-NR
- Standard range with 5-pin interface: MV-ID1013D-05-W2U-SR
- Standard range with 12-pin interface: MV-ID1013D-05-W2S-SR

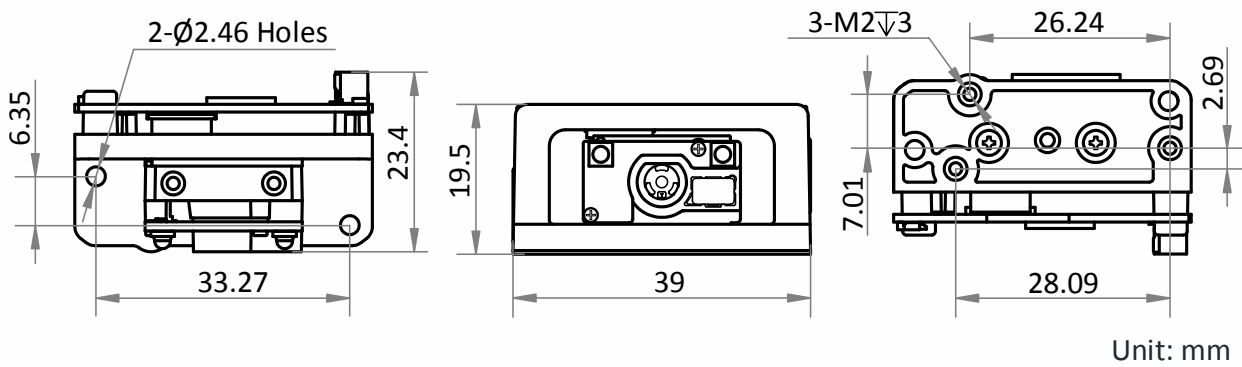
Specification

Model	MV-ID1013D-05-W2*-NR	MV-ID1013D-05-W2*-SR
Performance		
Symbologies	1-dimensional codes: Code 39, Code 93, Code 128, CodaBar, EAN 8, EAN 13, ITF 25, ITF 14, UPCE, UPCA, etc.	
	2-dimensional codes: QR Code, Data Matrix, etc.	
Min. accuracy	3 mil	4 mil
Depth of field*	Code 39 (3 mil): 45 mm to 80 mm Code 39 (5 mil): 35 mm to 100 mm Data Matrix (5 mil): 45 mm to 75 mm	Code 39 (5 mil): 75 mm to 220 mm Code 39 (10 mil): 30 mm to 380 mm EAN 13 (13 mil): 60 mm to 400 mm Data Matrix (10 mil): 45 mm to 220 mm
Field of view	Horizon angle 40°, vertical angle 34°	
Detection angle	Pitch ± 60°, skew ± 60°, and rotation 360°	
Symbol contrast	≥ 20 %	
Sensor type	CMOS, global shutter	
Resolution	1280 × 1024	
Max. frame rate	50 fps	
Light source	White LED	
Aiming system	Red LED	
Electrical feature		
Data interface	5-pin code reader module: 5-pin white terminal provides power supply and USB function. 12-pin code reader module: 12-pin white terminal provides power supply, USB, TTL-UART and I/O function.	
Power supply	5-pin code reader module: 4.5 VDC to 5.5 VDC (standard value 5 VDC/0.6 A max.) 12-pin code reader module: 3.5 VDC to 5.5 VDC (standard value 3.6 VDC/0.8 A max.)	
Power consumption	Typ. 1.5 W@5 VDC	
Mechanical		
Dimension	5-pin code reader module: 39 mm × 19.5 mm × 23.4 mm (1.5" × 0.8" × 0.9") 12-pin code reader module: 39 mm × 19.5 mm × 24.7 mm (1.5" × 0.8" × 1.0")	
Weight	Approx. 10 g (0.02 lb.)	
Temperature	Working temperature: 0 °C to 50 °C (32 °F to 122 °F) Storage temperature: -40 °C to 70 °C (-40 °F to 158 °F)	
Humidity	0 % to 95 % RH, non-condensing	
Ambient illumination	0 lux to 100000 lux	
General		
Certification	KC, FCC, RoHS	

*Test condition: Environment temperature=25 °C (77 °F), ambient illumination=150 lux filament lamp, sample symbologies are used.

Dimension

5-pin code reader module:



12-pin code reader module:

