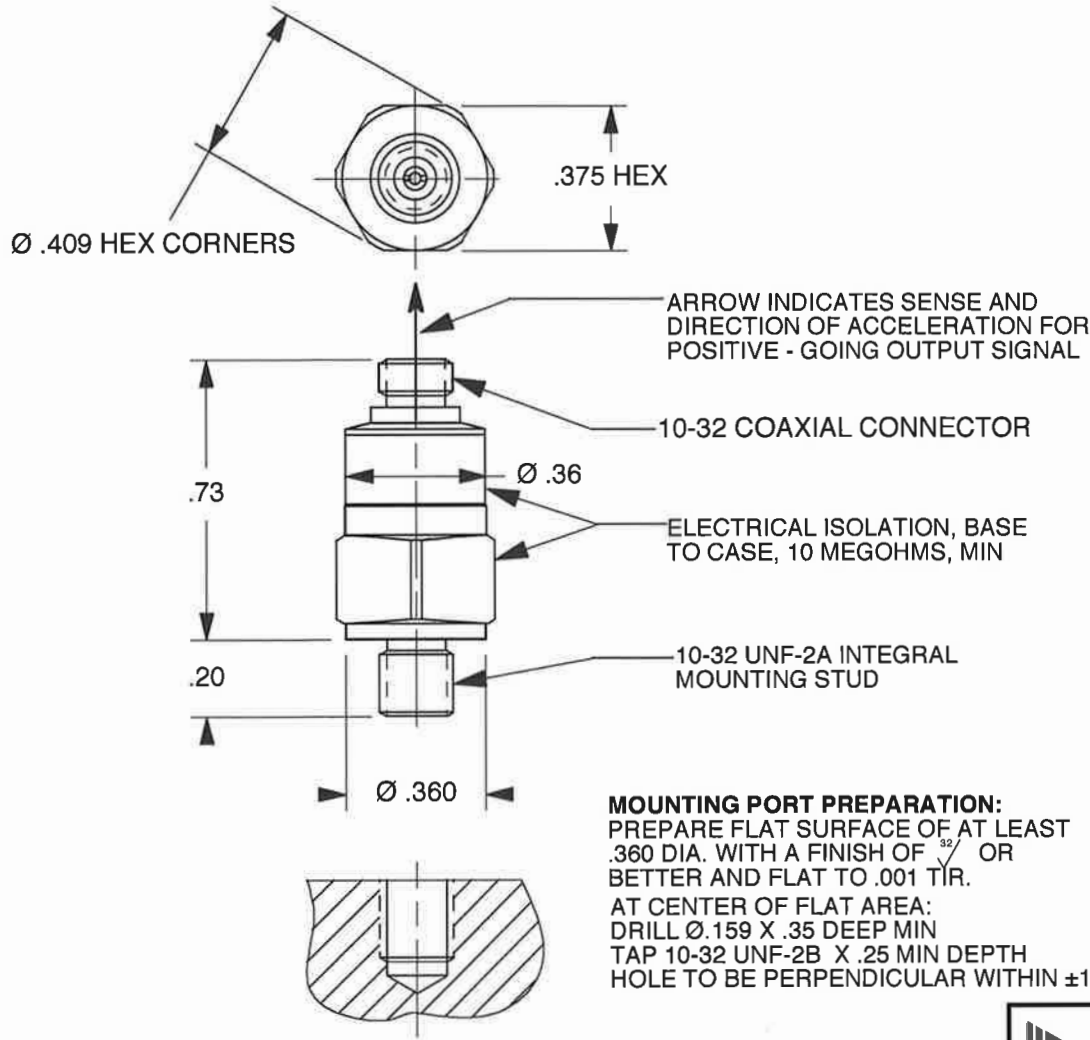


DYTRAN PROPRIETARY AND CONFIDENTIAL
 THE INFORMATION CONTAINED IN THIS DRAWING IS THE SOLE PROPERTY OF
 DYTRAN INSTRUMENTS, INC. AND ANY REPRODUCTION IN PART OR AS A
 WHOLE OR ANY OTHER DISSEMINATION OF THIS INFORMATION WITHOUT THE
 WRITTEN PERMISSION OF DYTRAN INSTRUMENTS, INC. IS PROHIBITED.

REV	ECN	DESCRIPTION	BY/DATE	CHK	APPR
A	10476	REMOVED TIG WELD GROOVES	NC/11-7-13	EM	<i>Dr</i>



Presented by: Absolute Gauge Technologies
 sales@absolute-gauge.com; www.absolute-gauge.com,
 Toronto: 416 754 3168, Montreal: 514 695 5147, Toll Free: 1 888 754 7008



3. MATERIAL: 300 SERIES STAINLESS STEEL.
2. WEIGHT: 8 GRAMS.
1. RECOMMENDED MOUNTING TORQUE ON 3/8 IN. HEX: 20 TO 25 LB.-INCHES.

EXCEPT AS OTHERWISE NOTED	
ALL DIMENSIONS IN INCHES TOLERANCE: .XXX = ± .XX = ±	
SURFACE FINISH EXCEPT AS NOTED <input checked="" type="checkbox"/>	
BREAK EDGES TO DEBURR RADIUS OR CHAMFER	
THESE DIAS TO T.I.R.	
FILLETS -	MAX RAD.

DYTRAN INSTRUMENTS, INC. CHATSWORTH, CA.

MASTER ONLY IF IN RED

SCALE 2X	DESIGN N.C.	DATE 1/24/02		
DRAWN N.C.	DATE 1/24/02	PART NO. MODEL 3019A1		
CHECKED R.A.	DATE 1/24/02	MAT'L		REV A
APPROVED <i>Dr</i>	DATE 1/24/02	NEXT ASSEMBLY	USED ON 3019A1	
TITLE OUTLINE/INSTALLATION DRAWING, HIGH FREQUENCY ACCELEROMETER MODEL 3019A1			DWG NO. 127-3019A1	
SHEET 1 OF 1				

Model Number 3019A1	PERFORMANCE SPECIFICATION	DOC NO PS3019A1
MINIATURE IEPE ACCELEROMETER		REV A, ECN 10588, 12/04/13



- MINIATURE SIZE
- EXCELLENT LINEARITY
- HERMETICALLY SEALED

PHYSICAL

Weight
Size
Connector
Mounting Provision
Material
Element Style

Hex x Height
Top Mounted
Integral Stud
Accelerometer and Connector

ENGLISH		SI	
0.3	oz	8	grams
0.375 x 0.73	Inches	9.5 x 18.5	mm
10-32 Micro Coax		10-32 Micro Coax	
10-32 X .20 Long		10-32 X .20 Long	
300 SS		300 SS	
Quartz		Quartz	

PERFORMANCE

Sensitivity, ±5% [1]
Range F.S for ± 5 Volts Output
Frequency Response, ±5%
Frequency Response, ±3db
Resonant Frequency
Equivalent Electrical Noise Floor
Linearity [2]
Maximum Transverse Sensitivity
Strain Sensitivity @ 250µε

10	mV/g	1	mV/m/s ²
±500	g	±4905	m/s ²
1 to 10000	Hz	1 to 10000	Hz
.3 to 15000	Hz	.3 to 15000	Hz
>50	kHz	>50	kHz
0.007	grms	0.0687	m/s ² rms
± 2%	% F.S.	± 2%	% F.S.
5	%	5	%
0.003	g/µε	0.03	m/s ² /µε

ENVIRONMENTAL

Maximum Vibration
Maximum Shock
Temperature Range
Seal, Hermetic

±1000	gpeak	±9810	m/s ² peak
±3000	gpeak	±29430	m/s ² peak
-60 to +300	*F	-51 to +149	*C
Welded/Glass To Metal		Welded/Glass To Metal	

ELECTRICAL

Supply Current Range [3]
Compliance Voltage Range
Output Impedance, Typ
Bias Voltage
Discharge Time Constant
Electrical Isolation, Min.
Output Signal Polarity for Acceleration Toward Top

2 to 20	mA	2 to 20	mA
+ 18 to +30	Volts	+ 18 to +30	Volts
100	Ω	100	Ω
+7.5 to +9.5	VDC	+7.5 to +9.5	VDC
0.5 to 1.0	Sec	0.5 to 1.0	Sec
10	MΩ	10	MΩ
Positive		Positive	

This family also includes:

Model	Sensitivity (mV/g)	Frequency Response (Hz)	Time Constant (Sec)	Operating Temp (*F)

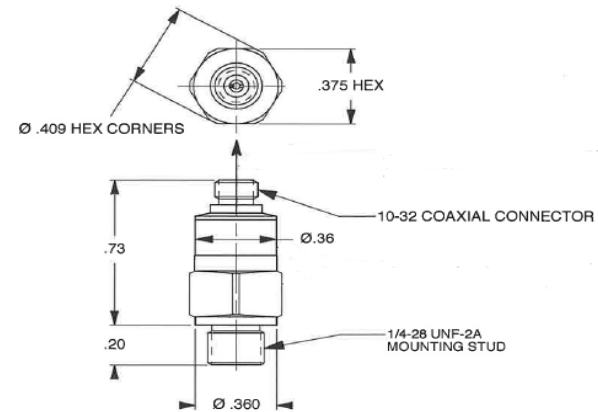
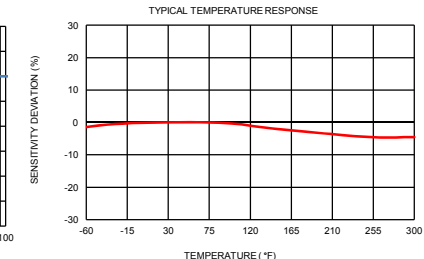
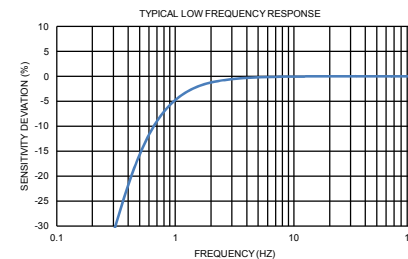
Please refer to the performance specifications of the products in this family for detailed description

Supplied Accessories:

- 1) Accredited calibration certificate (ISO 17025)

Notes:

- [1] Measure at 100Hz, 1 grms per ISA RP 37.2
- [2] Measure using zero-based straight line method, % of F.S. or any lesser range.
- [3] Do not apply power to this system without current limiting, 20 mA MAX. To do so will destroy the IC charge amplifier.



Units on the line drawing are in inches, units in brackets are in millimeters. Refer to 127-3019A1 for more information.



21592 Marilla Street, Chatsworth, California 91311 Phone: 818.700.7818 Fax: 818.700.7880 www.dytran.com
For permission to reprint this content, please contact info@dytran.com



Presented by: Absolute Gauge Technologies
sales@absolute-gauge.com; www.absolute-gauge.com,
Toronto: 416 754 3168, Montreal: 514 695 5147, Toll Free: 1 888 754 7008