

# MV-LRDS-H (V2.0)

## Standard Ring Light

MV-LRDS-H (V2.0) standard ring light adopts high-quality LEDs and good heat dissipation design to provide sufficient, stable, and efficient lighting, which is available in models with various outer dimensions and irradiation angles.



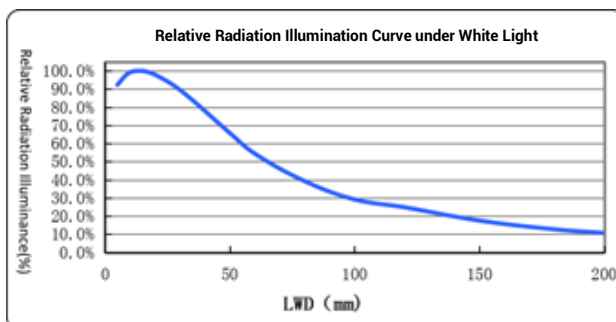
### Key Features

- Adopts high-density LED array design.
- Provides models with various outer dimensions and irradiation angles.
- Adopts compact structure with good heat dissipation design.
- Provides diffuse plate to improve lighting uniformity.

### Applicable Industry

Optical character recognition, color recognition, printing inspection, defect inspection, and dirt inspection.

### Relative Radiation Illuminance Curve under White Light



### Naming Rule

**MV - LRDS - H - 45 - 90 - W 2**

**LRDS**: standard ring light

**H**: Hikrobot style

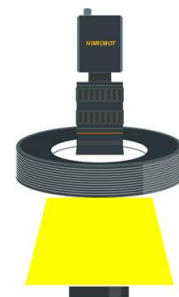
**45**: outer dimensions (mm)

**90**: irradiation angle (°)

**W**: color

**2**: version 2.0

### Lighting



## Specification

Model	Performance				Mechanical						Electrical feature		
	Color	Center illuminance	Best working distance	Irradiation angle	Dimension	Outer dimension	Bore dimension	Emitting area length	LED rows	Weight	Power	Input voltage	Connector type
MV-LRDS-H-45-60-W2	White	≥ 4500 Lux @ WD=100 mm	40 mm to 70 mm	60°	Φ45 mm × 16 mm	Φ45 mm	Φ15 mm	Φ37.5 mm	1	40 g	4.1 W	24 VDC	SMR-03V-B
MV-LRDS-H-45-60-R2	Red	≥ 1000 Lux @ WD=100 mm	40 mm to 70 mm	60°	Φ45 mm × 16 mm	Φ45 mm	Φ15 mm	Φ37.5 mm	1	40 g	3.0 W	24 VDC	SMR-03V-B
MV-LRDS-H-45-60-B2	Blue	≥ 450 Lux @ WD=100 mm	40 mm to 70 mm	60°	Φ45 mm × 16 mm	Φ45 mm	Φ15 mm	Φ37.5 mm	1	40 g	3.1 W	24 VDC	SMR-03V-B
MV-LRDS-H-45-90-W2	White	≥ 6000 Lux @ WD=100 mm	80 mm to 90 mm	90°	Φ45 mm × 16 mm	Φ45 mm	Φ15 mm	Φ37.5 mm	2	35 g	2.8 W	24 VDC	SMR-03V-B
MV-LRDS-H-45-90-R2	Red	≥ 1900 Lux @ WD=100 mm	80 mm to 90 mm	90°	Φ45 mm × 16 mm	Φ45 mm	Φ15 mm	Φ37.5 mm	2	35 g	1.9 W	24 VDC	SMR-03V-B
MV-LRDS-H-45-90-B2	Blue	≥ 800 Lux @ WD=100 mm	80 mm to 90 mm	90°	Φ45 mm × 16 mm	Φ45 mm	Φ15 mm	Φ37.5 mm	2	35 g	2.2 W	24 VDC	SMR-03V-B
MV-LRDS-H-55-60-W2	White	≥ 6000 Lux @ WD=100 mm	40 mm to 70 mm	60°	Φ55 mm × 16 mm	Φ55 mm	Φ23 mm	Φ47.5 mm	1	55 g	7.2 W	24 VDC	SMR-03V-B
MV-LRDS-H-55-60-R2	Red	≥ 1100 Lux @ WD=100 mm	40 mm to 70 mm	60°	Φ55 mm × 16 mm	Φ55 mm	Φ23 mm	Φ47.5 mm	1	55 g	5.3W	24 VDC	SMR-03V-B
MV-LRDS-H-55-60-B2	Blue	≥ 800 Lux @ WD=100 mm	40 mm to 70 mm	60°	Φ55 mm × 16 mm	Φ55 mm	Φ23 mm	Φ47.5 mm	1	55 g	5.8 W	24 VDC	SMR-03V-B
MV-LRDS-H-55-90-W2	White	≥ 6000 Lux @ WD=100 mm	80 mm to 90 mm	90°	Φ55 mm × 16 mm	Φ55 mm	Φ23 mm	Φ47.5 mm	2	55 g	3.3 W	24 VDC	SMR-03V-B
MV-LRDS-H-55-90-R2	Red	≥ 2000 Lux @ WD=100 mm	80 mm to 90 mm	90°	Φ55 mm × 16 mm	Φ55 mm	Φ23 mm	Φ47.5 mm	2	55 g	2.3 W	24 VDC	SMR-03V-B
MV-LRDS-H-55-90-B2	Blue	≥ 1000 Lux @ WD=100 mm	80 mm to 90 mm	90°	Φ55 mm × 16 mm	Φ55 mm	Φ23 mm	Φ47.5 mm	2	55 g	2.6 W	24 VDC	SMR-03V-B
MV-LRDS-H-65-0-W2	White	≥ 69000 Lux @ WD=10 mm	0 mm to 10 mm	0°	Φ65 mm × 15 mm	Φ65 mm	Φ35 mm	Φ40 mm	1	90 g	3.5 W	24 VDC	SMR-03V-B
MV-LRDS-H-65-0-R2	Red	≥ 17000 Lux @ WD=10 mm	0 mm to 10 mm	0°	Φ65 mm × 15 mm	Φ65 mm	Φ35 mm	Φ40 mm	1	90 g	2.9 W	24 VDC	SMR-03V-B
MV-LRDS-H-65-0-B2	Blue	≥ 4000 Lux @ WD=10 mm	0 mm to 10 mm	0°	Φ65 mm × 15 mm	Φ65 mm	Φ35 mm	Φ40 mm	1	90 g	2.9 W	24 VDC	SMR-03V-B
MV-LRDS-H-65-30-W2	White	≥ 4000 Lux @ WD=100 mm	20 mm to 30 mm	30°	Φ65 mm × 16 mm	Φ65 mm	Φ30 mm	Φ57.5 mm	1	80 g	9.5 W	24 VDC	SMR-03V-B
MV-LRDS-H-65-30-R2	Red	≥ 2000 Lux @ WD=100 mm	20 mm to 30 mm	30°	Φ65 mm × 16 mm	Φ65 mm	Φ30 mm	Φ57.5 mm	1	80 g	8.4W	24 VDC	SMR-03V-B
MV-LRDS-H-65-30-B2	Blue	≥ 1500 Lux @ WD=100 mm	20 mm to 30 mm	30°	Φ65 mm × 16 mm	Φ65 mm	Φ30 mm	Φ57.5 mm	1	80 g	7.7 W	24 VDC	SMR-03V-B
MV-LRDS-H-65-60-W2	White	≥ 8000 Lux @ WD=100 mm	60 mm to 70 mm	60°	Φ65 mm × 16 mm	Φ65 mm	Φ30 mm	Φ57.5 mm	1	80 g	9.5 W	24 VDC	SMR-03V-B
MV-LRDS-H-65-60-R2	Red	≥ 3500 Lux @ WD=100 mm	60 mm to 70 mm	60°	Φ65 mm × 16 mm	Φ65 mm	Φ30 mm	Φ57.5 mm	1	80 g	8.4W	24 VDC	SMR-03V-B
MV-LRDS-H-65-60-B2	Blue	≥ 1600 Lux @ WD=100 mm	60 mm to 70 mm	60°	Φ65 mm × 16 mm	Φ65 mm	Φ30 mm	Φ57.5 mm	1	80 g	7.7 W	24 VDC	SMR-03V-B
MV-LRDS-H-65-90-W2	White	≥ 10000 Lux @ WD=100 mm	90 mm to 100 mm	90°	Φ65 mm × 16 mm	Φ65 mm	Φ30 mm	Φ57.5 mm	2	75 g	4.9 W	24 VDC	SMR-03V-B
MV-LRDS-H-65-90-R2	Red	≥ 2800 Lux @ WD=100 mm	90 mm to 100 mm	90°	Φ65 mm × 16 mm	Φ65 mm	Φ30 mm	Φ57.5 mm	2	75 g	3.5 W	24 VDC	SMR-03V-B
MV-LRDS-H-65-90-B2	Blue	≥ 1200 Lux @ WD=100 mm	90 mm to 100 mm	90°	Φ65 mm × 16 mm	Φ65 mm	Φ30 mm	Φ57.5 mm	2	75 g	3.7 W	24 VDC	SMR-03V-B
MV-LRDS-H-73-90-W2	White	≥ 12000 Lux @ WD=100 mm	60 mm to 80 mm	90°	Φ73 mm × 16 mm	Φ73 mm	Φ36 mm	Φ65.5 mm	2	100 g	6.4 W	24 VDC	SMR-03V-B
MV-LRDS-H-73-90-R2	Red	≥ 3000 Lux @ WD=100 mm	60 mm to 80 mm	90°	Φ73 mm × 16 mm	Φ73 mm	Φ36 mm	Φ65.5 mm	2	100 g	4.6 W	24 VDC	SMR-03V-B
MV-LRDS-H-73-90-B2	Blue	≥ 1250 Lux @ WD=100 mm	60 mm to 80 mm	90°	Φ73 mm × 16 mm	Φ73 mm	Φ36 mm	Φ65.5 mm	2	100 g	5.0 W	24 VDC	SMR-03V-B
MV-LRDS-H-80-15-W2	White	≥ 52000 Lux @ WD=10 mm	20 mm to 30 mm	15°	Φ80 mm × 16 mm	Φ80 mm	Φ35 mm	Φ72 mm	1	110 g	12.9 W	24 VDC	SMR-03V-B
MV-LRDS-H-80-15-R2	Red	≥ 25000 Lux @ WD=10 mm	20 mm to 30 mm	15°	Φ80 mm × 16 mm	Φ80 mm	Φ35 mm	Φ72 mm	1	110 g	9.1 W	24 VDC	SMR-03V-B
MV-LRDS-H-80-15-B2	Blue	≥ 12000 Lux @ WD=10 mm	20 mm to 30 mm	15°	Φ80 mm × 16 mm	Φ80 mm	Φ35 mm	Φ72 mm	1	110 g	10.4 W	24 VDC	SMR-03V-B
MV-LRDS-H-80-30-W2	White	≥ 6000 Lux @ WD=100 mm	20 mm to 30 mm	30°	Φ80 mm × 16 mm	Φ80 mm	Φ35 mm	Φ72 mm	1	110 g	12.9 W	24 VDC	SMR-03V-B
MV-LRDS-H-80-30-R2	Red	≥ 4500 Lux @ WD=100 mm	20 mm to 30 mm	30°	Φ80 mm × 16 mm	Φ80 mm	Φ35 mm	Φ72 mm	1	110 g	9.1 W	24 VDC	SMR-03V-B
MV-LRDS-H-80-30-B2	Blue	≥ 3500 Lux @ WD=100 mm	20 mm to 30 mm	30°	Φ80 mm × 16 mm	Φ80 mm	Φ35 mm	Φ72 mm	1	110 g	10.4 W	24 VDC	SMR-03V-B
MV-LRDS-H-80-60-W2	White	≥ 16000 Lux @ WD=100 mm	60 mm to 70 mm	60°	Φ80 mm × 16 mm	Φ80 mm	Φ35 mm	Φ72 mm	1	110 g	12.9 W	24 VDC	SMR-03V-B
MV-LRDS-H-80-60-R2	Red	≥ 2600 Lux @ WD=100 mm	60 mm to 70 mm	60°	Φ80 mm × 16 mm	Φ80 mm	Φ35 mm	Φ72 mm	1	110 g	9.1 W	24 VDC	SMR-03V-B
MV-LRDS-H-80-60-B2	Blue	≥ 1500 Lux @ WD=100 mm	60 mm to 70 mm	60°	Φ80 mm × 16 mm	Φ80 mm	Φ35 mm	Φ72 mm	1	110 g	10.4 W	24 VDC	SMR-03V-B
MV-LRDS-H-80-90-W2	White	≥ 16500 Lux @ WD=100 mm	100 mm to 110 mm	90°	Φ80 mm × 16 mm	Φ80 mm	Φ35 mm	Φ72 mm	3	115 g	9.9 W	24 VDC	SMR-03V-B
MV-LRDS-H-80-90-R2	Red	≥ 5200 Lux @ WD=100 mm	100 mm to 110 mm	90°	Φ80 mm × 16 mm	Φ80 mm	Φ35 mm	Φ72 mm	3	115 g	6.9 W	24 VDC	SMR-03V-B
MV-LRDS-H-80-90-B2	Blue	≥ 2400 Lux @ WD=100 mm	100 mm to 110 mm	90°	Φ80 mm × 16 mm	Φ80 mm	Φ35 mm	Φ72 mm	3	115 g	7.7 W	24 VDC	SMR-03V-B
MV-LRDS-H-95-0-W2	White	≥ 33000 Lux @ WD=10 mm	0 mm to 10 mm	0°	Φ95 mm × 15 mm	Φ95 mm	Φ60 mm	Φ70 mm	1	140 g	5.3 W	24 VDC	SMR-03V-B
MV-LRDS-H-95-0-R2	Red	≥ 7800 Lux @ WD=10 mm	0 mm to 10 mm	0°	Φ95 mm × 15 mm	Φ95 mm	Φ60 mm	Φ70 mm	1	140 g	3.2 W	24 VDC	SMR-03V-B
MV-LRDS-H-95-0-B2	Blue	≥ 3400 Lux @ WD=10 mm	0 mm to 10 mm	0°	Φ95 mm × 15 mm	Φ95 mm	Φ60 mm	Φ70 mm	1	140 g	4.0 W	24 VDC	SMR-03V-B
MV-LRDS-H-95-30-W2	White	≥ 7000 Lux @ WD=100 mm	20 mm to 40 mm	30°	Φ95 mm × 16 mm	Φ95 mm	Φ45 mm	Φ87 mm	2	160 g	14.8 W	24 VDC	SMR-03V-B

## Specification

Model	Performance				Mechanical						Electrical feature		
	Color	Center illuminance	Best working distance	Irradiation angle	Dimension	Outer dimension	Bore dimension	Emitting area length	LED rows	Weight	Power	Input voltage	Connector type
MV-LRDS-H-95-30-R2	Red	≥ 4000 Lux @ WD=100 mm	20 mm to 40 mm	30°	Φ95 mm × 16 mm	Φ95 mm	Φ45 mm	Φ87 mm	2	160 g	8.9 W	24 VDC	SMR-03V-B
MV-LRDS-H-95-30-B2	Blue	≥ 3000 Lux @ WD=100 mm	20 mm to 40 mm	30°	Φ95 mm × 16 mm	Φ95 mm	Φ45 mm	Φ87 mm	2	160 g	12.1 W	24 VDC	SMR-03V-B
MV-LRDS-H-95-60-W2	White	≥ 22000 Lux @ WD=100 mm	60 mm to 100 mm	60°	Φ95 mm × 16 mm	Φ95 mm	Φ45 mm	Φ87 mm	2	160 g	14.8 W	24 VDC	SMR-03V-B
MV-LRDS-H-95-60-R2	Red	≥ 3800 Lux @ WD=100 mm	60 mm to 100 mm	60°	Φ95 mm × 16 mm	Φ95 mm	Φ45 mm	Φ87 mm	2	160 g	8.9 W	24 VDC	SMR-03V-B
MV-LRDS-H-95-60-B2	Blue	≥ 2000 Lux @ WD=100 mm	60 mm to 100 mm	60°	Φ95 mm × 16 mm	Φ95 mm	Φ45 mm	Φ87 mm	2	160 g	12.1 W	24 VDC	SMR-03V-B
MV-LRDS-H-95-90-W2	White	≥ 24500 Lux @ WD=100 mm	90 mm to 120 mm	90°	Φ95 mm × 16 mm	Φ95 mm	Φ45 mm	Φ87 mm	4	150 g	14.5 W	24 VDC	SMR-03V-B
MV-LRDS-H-95-90-R2	Red	≥ 6400 Lux @ WD=100 mm	90 mm to 120 mm	90°	Φ95 mm × 16 mm	Φ95 mm	Φ45 mm	Φ87 mm	4	150 g	10.7 W	24 VDC	SMR-03V-B
MV-LRDS-H-95-90-B2	Blue	≥ 2800 Lux @ WD=100 mm	90 mm to 120 mm	90°	Φ95 mm × 16 mm	Φ95 mm	Φ45 mm	Φ87 mm	4	150 g	11.5 W	24 VDC	SMR-03V-B
MV-LRDS-H-105-0-W2	White	≥ 33000 Lux @ WD=10 mm	0 mm to 10 mm	0°	Φ105 mm × 16 mm	Φ105 mm	Φ65 mm	Φ75 mm	1	190 g	6.9 W	24 VDC	SMR-03V-B
MV-LRDS-H-105-0-R2	Red	≥ 8000 Lux @ WD=10 mm	0 mm to 10 mm	0°	Φ105 mm × 16 mm	Φ105 mm	Φ65 mm	Φ75 mm	1	190 g	4.5 W	24 VDC	SMR-03V-B
MV-LRDS-H-105-0-B2	Blue	≥ 3600 Lux @ WD=10 mm	0 mm to 10 mm	0°	Φ105 mm × 16 mm	Φ105 mm	Φ65 mm	Φ75 mm	1	190 g	5.3 W	24 VDC	SMR-03V-B
MV-LRDS-H-105-15-W2	White	≥ 20000 Lux @ WD=10 mm	20 mm to 30 mm	15°	Φ105 mm × 18 mm	Φ105 mm	Φ43 mm	Φ92 mm	2	230 g	17.3 W	24 VDC	SMR-03V-B
MV-LRDS-H-105-15-R2	Red	≥ 10000 Lux @ WD=10 mm	20 mm to 30 mm	15°	Φ105 mm × 18 mm	Φ105 mm	Φ43 mm	Φ92 mm	2	230 g	11.9 W	24 VDC	SMR-03V-B
MV-LRDS-H-105-15-B2	Blue	≥ 6000 Lux @ WD=10 mm	20 mm to 30 mm	15°	Φ105 mm × 18 mm	Φ105 mm	Φ43 mm	Φ92 mm	2	230 g	13.8 W	24 VDC	SMR-03V-B
MV-LRDS-H-105-30-W2	White	≥ 12000 Lux @ WD=100 mm	20 mm to 40 mm	30°	Φ105 mm × 18 mm	Φ105 mm	Φ43 mm	Φ92 mm	2	230 g	17.3 W	24 VDC	SMR-03V-B
MV-LRDS-H-105-30-R2	Red	≥ 8000 Lux @ WD=100 mm	20 mm to 40 mm	30°	Φ105 mm × 18 mm	Φ105 mm	Φ43 mm	Φ92 mm	2	230 g	11.9 W	24 VDC	SMR-03V-B
MV-LRDS-H-105-30-B2	Blue	≥ 3000 Lux @ WD=100 mm	20 mm to 40 mm	30°	Φ105 mm × 18 mm	Φ105 mm	Φ43 mm	Φ92 mm	2	230 g	13.8 W	24 VDC	SMR-03V-B
MV-LRDS-H-105-45-W2	White	≥ 14000 Lux @ WD=100 mm	60 mm to 80 mm	45°	Φ105 mm × 18 mm	Φ105 mm	Φ43 mm	Φ92 mm	2	230 g	17.3 W	24 VDC	SMR-03V-B
MV-LRDS-H-105-45-R2	Red	≥ 7000 Lux @ WD=100 mm	60 mm to 80 mm	45°	Φ105 mm × 18 mm	Φ105 mm	Φ43 mm	Φ92 mm	2	230 g	11.9 W	24 VDC	SMR-03V-B
MV-LRDS-H-105-45-B2	Blue	≥ 4000 Lux @ WD=100 mm	60 mm to 80 mm	45°	Φ105 mm × 18 mm	Φ105 mm	Φ43 mm	Φ92 mm	2	230 g	13.8 W	24 VDC	SMR-03V-B
MV-LRDS-H-105-60-W2	White	≥ 24000 Lux @ WD=100 mm	90 mm to 120 mm	60°	Φ105 mm × 18 mm	Φ105 mm	Φ43 mm	Φ92 mm	2	230 g	17.3 W	24 VDC	SMR-03V-B
MV-LRDS-H-105-60-R2	Red	≥ 4200 Lux @ WD=100 mm	90 mm to 120 mm	60°	Φ105 mm × 18 mm	Φ105 mm	Φ43 mm	Φ92 mm	2	230 g	11.9 W	24 VDC	SMR-03V-B
MV-LRDS-H-105-60-B2	Blue	≥ 2700 Lux @ WD=100 mm	90 mm to 120 mm	60°	Φ105 mm × 18 mm	Φ105 mm	Φ43 mm	Φ92 mm	2	230 g	13.8 W	24 VDC	SMR-03V-B
MV-LRDS-H-105-90-W2	White	≥ 28500 Lux @ WD=100 mm	90 mm to 120 mm	90°	Φ105 mm × 18 mm	Φ105 mm	Φ43 mm	Φ92 mm	4	220 g	16.1 W	24 VDC	SMR-03V-B
MV-LRDS-H-105-90-R2	Red	≥ 8200 Lux @ WD=100 mm	90 mm to 120 mm	90°	Φ105 mm × 18 mm	Φ105 mm	Φ43 mm	Φ92 mm	4	220 g	11.7 W	24 VDC	SMR-03V-B
MV-LRDS-H-105-90-B2	Blue	≥ 4200 Lux @ WD=100 mm	90 mm to 120 mm	90°	Φ105 mm × 18 mm	Φ105 mm	Φ43 mm	Φ92 mm	4	220 g	12.1 W	24 VDC	SMR-03V-B
MV-LRDS-H-120-0-W2	White	≥ 33000 Lux @ WD=10 mm	0 mm to 10 mm	0°	Φ120 mm × 16 mm	Φ120 mm	Φ80 mm	Φ90 mm	1	220 g	8.6 W	24 VDC	SMR-03V-B
MV-LRDS-H-120-0-R2	Red	≥ 6800 Lux @ WD=10 mm	0 mm to 10 mm	0°	Φ120 mm × 16 mm	Φ120 mm	Φ80 mm	Φ90 mm	1	220 g	5.0 W	24 VDC	SMR-03V-B
MV-LRDS-H-120-0-B2	Blue	≥ 3000 Lux @ WD=10 mm	0 mm to 10 mm	0°	Φ120 mm × 16 mm	Φ120 mm	Φ80 mm	Φ90 mm	1	220 g	6.7 W	24 VDC	SMR-03V-B
MV-LRDS-H-120-30-W2	White	≥ 12000 Lux @ WD=100 mm	20 mm to 40 mm	30°	Φ120 mm × 18 mm	Φ120 mm	Φ60 mm	Φ107 mm	2	285 g	25.0 W	24 VDC	SMR-03V-B
MV-LRDS-H-120-30-R2	Red	≥ 8000 Lux @ WD=100 mm	20 mm to 40 mm	30°	Φ120 mm × 18 mm	Φ120 mm	Φ60 mm	Φ107 mm	2	285 g	16.8 W	24 VDC	SMR-03V-B
MV-LRDS-H-120-30-B2	Blue	≥ 6500 Lux @ WD=100 mm	20 mm to 40 mm	30°	Φ120 mm × 18 mm	Φ120 mm	Φ60 mm	Φ107 mm	2	285 g	20.3 W	24 VDC	SMR-03V-B
MV-LRDS-H-120-45-W2	White	≥ 12000 Lux @ WD=100 mm	60 mm to 80 mm	45°	Φ120 mm × 18 mm	Φ120 mm	Φ60 mm	Φ107 mm	2	285 g	25.0 W	24 VDC	SMR-03V-B
MV-LRDS-H-120-45-R2	Red	≥ 6000 Lux @ WD=100 mm	60 mm to 80 mm	45°	Φ120 mm × 18 mm	Φ120 mm	Φ60 mm	Φ107 mm	2	285 g	16.8 W	24 VDC	SMR-03V-B
MV-LRDS-H-120-45-B2	Blue	≥ 4000 Lux @ WD=100 mm	60 mm to 80 mm	45°	Φ120 mm × 18 mm	Φ120 mm	Φ60 mm	Φ107 mm	2	285 g	20.3 W	24 VDC	SMR-03V-B
MV-LRDS-H-120-60-W2	White	≥ 28000 Lux @ WD=100 mm	90 mm to 110 mm	60°	Φ120 mm × 18 mm	Φ120 mm	Φ60 mm	Φ107 mm	2	285 g	25.0 W	24 VDC	SMR-03V-B
MV-LRDS-H-120-60-R2	Red	≥ 4000 Lux @ WD=100 mm	90 mm to 110 mm	60°	Φ120 mm × 18 mm	Φ120 mm	Φ60 mm	Φ107 mm	2	285 g	16.8 W	24 VDC	SMR-03V-B
MV-LRDS-H-120-60-B2	Blue	≥ 3200 Lux @ WD=100 mm	90 mm to 110 mm	60°	Φ120 mm × 18 mm	Φ120 mm	Φ60 mm	Φ107 mm	2	285 g	20.3 W	24 VDC	SMR-03V-B
MV-LRDS-H-120-75-W2	White	≥ 26000 Lux @ WD=100 mm	90 mm to 110 mm	75°	Φ120 mm × 18 mm	Φ120 mm	Φ60 mm	Φ107 mm	2	285 g	25.0 W	24 VDC	SMR-03V-B
MV-LRDS-H-120-75-R2	Red	≥ 12000 Lux @ WD=100 mm	90 mm to 110 mm	75°	Φ120 mm × 18 mm	Φ120 mm	Φ60 mm	Φ107 mm	2	285 g	16.8 W	24 VDC	SMR-03V-B
MV-LRDS-H-120-75-B2	Blue	≥ 8000 Lux @ WD=100 mm	90 mm to 110 mm	75°	Φ120 mm × 18 mm	Φ120 mm	Φ60 mm	Φ107 mm	2	285 g	20.3 W	24 VDC	SMR-03V-B
MV-LRDS-H-120-90-W2	White	≥ 32000 Lux @ WD=100 mm	90 mm to 120 mm	90°	Φ120 mm × 18 mm	Φ120 mm	Φ60 mm	Φ107 mm	4	270 g	17.3 W	24 VDC	SMR-03V-B
MV-LRDS-H-120-90-R2	Red	≥ 8500 Lux @ WD=100 mm	90 mm to 120 mm	90°	Φ120 mm × 18 mm	Φ120 mm	Φ60 mm	Φ107 mm	4	270 g	12.7 W	24 VDC	SMR-03V-B

## Specification



Presented by: Absolute Gauge Technologies  
 sales@absolute-gauge.com; www.absolute-gauge.com,  
 Toronto: 416 754 3168, Montreal: 514 695 5147, Toll Free: 1 888 754 7008

Model	Performance				Mechanical						Electrical feature		
	Color	Center illuminance	Best working distance	Irradiation angle	Dimension	Outer dimension	Bore dimension	Emitting area length	LED rows	Weight	Power	Input voltage	Connector type
MV-LRDS-H-120-90-B2	Blue	≥ 4000 Lux @ WD=100 mm	90 mm to 120 mm	90°	Φ120 mm × 18 mm	Φ120 mm	Φ60 mm	Φ107 mm	4	270 g	13.3 W	24 VDC	SMR-03V-B
MV-LRDS-H-140-15-W2	White	≥ 12000 Lux @ WD=10 mm	20 mm to 30 mm	15°	Φ140 mm × 18 mm	Φ140 mm	Φ70 mm	Φ127 mm	2	380 g	30.3 W	24 VDC	SMR-03V-B
MV-LRDS-H-140-15-R2	Red	≥ 6000 Lux @ WD=10 mm	20 mm to 30 mm	15°	Φ140 mm × 18 mm	Φ140 mm	Φ70 mm	Φ127 mm	2	380 g	22.4 W	24 VDC	SMR-03V-B
MV-LRDS-H-140-15-B2	Blue	≥ 4000 Lux @ WD=10 mm	20 mm to 30 mm	15°	Φ140 mm × 18 mm	Φ140 mm	Φ70 mm	Φ127 mm	2	380 g	24.5 W	24 VDC	SMR-03V-B
MV-LRDS-H-140-45-W2	White	≥ 14000 Lux @ WD=100 mm	60 mm to 80 mm	45°	Φ140 mm × 18 mm	Φ140 mm	Φ70 mm	Φ127 mm	2	380 g	30.3 W	24 VDC	SMR-03V-B
MV-LRDS-H-140-45-R2	Red	≥ 7000 Lux @ WD=100 mm	60 mm to 80 mm	45°	Φ140 mm × 18 mm	Φ140 mm	Φ70 mm	Φ127 mm	2	380 g	22.4 W	24 VDC	SMR-03V-B
MV-LRDS-H-140-45-B2	Blue	≥ 4000 Lux @ WD=100 mm	60 mm to 80 mm	45°	Φ140 mm × 18 mm	Φ140 mm	Φ70 mm	Φ127 mm	2	380 g	24.5 W	24 VDC	SMR-03V-B
MV-LRDS-H-140-90-W2	White	≥ 33500 Lux @ WD=100 mm	90 mm to 120 mm	90°	Φ140 mm × 18 mm	Φ140 mm	Φ70 mm	Φ127 mm	5	370 g	23.3 W	24 VDC	SMR-03V-B
MV-LRDS-H-140-90-R2	Red	≥ 8000 Lux @ WD=100 mm	90 mm to 120 mm	90°	Φ140 mm × 18 mm	Φ140 mm	Φ70 mm	Φ127 mm	5	370 g	14.7 W	24 VDC	SMR-03V-B
MV-LRDS-H-140-90-B2	Blue	≥ 4000 Lux @ WD=100 mm	90 mm to 120 mm	90°	Φ140 mm × 18 mm	Φ140 mm	Φ70 mm	Φ127 mm	5	370 g	17.6 W	24 VDC	SMR-03V-B
MV-LRDS-H-160-0-W2	White	≥ 17500 Lux @ WD=10 mm	0 mm to 10 mm	0°	Φ160 mm × 16 mm	Φ160 mm	Φ120 mm	Φ130 mm	1	300 g	10.2 W	24 VDC	SMR-03V-B
MV-LRDS-H-160-0-R2	Red	≥ 2800 Lux @ WD=10 mm	0 mm to 10 mm	0°	Φ160 mm × 16 mm	Φ160 mm	Φ120 mm	Φ130 mm	1	300 g	6.7 W	24 VDC	SMR-03V-B
MV-LRDS-H-160-0-B2	Blue	≥ 1200 Lux @ WD=10 mm	0 mm to 10 mm	0°	Φ160 mm × 16 mm	Φ160 mm	Φ120 mm	Φ130 mm	1	300 g	7.8 W	24 VDC	SMR-03V-B
MV-LRDS-H-160-30-W2	White	≥ 18000 Lux @ WD=100 mm	20 mm to 40 mm	30°	Φ160 mm × 18 mm	Φ160 mm	Φ90 mm	Φ147 mm	2	460 g	36.4 W	24 VDC	SMR-03V-B
MV-LRDS-H-160-30-R2	Red	≥ 9000 Lux @ WD=100 mm	20 mm to 40 mm	30°	Φ160 mm × 18 mm	Φ160 mm	Φ90 mm	Φ147 mm	2	460 g	25.4 W	24 VDC	SMR-03V-B
MV-LRDS-H-160-30-B2	Blue	≥ 6000 Lux @ WD=100 mm	20 mm to 40 mm	30°	Φ160 mm × 18 mm	Φ160 mm	Φ90 mm	Φ147 mm	2	460 g	31.2 W	24 VDC	SMR-03V-B
MV-LRDS-H-160-60-W2	White	≥ 33000 Lux @ WD=100 mm	70 mm to 90 mm	60°	Φ160 mm × 18 mm	Φ160 mm	Φ90 mm	Φ147 mm	2	460 g	36.4 W	24 VDC	SMR-03V-B
MV-LRDS-H-160-60-R2	Red	≥ 5000 Lux @ WD=100 mm	70 mm to 90 mm	60°	Φ160 mm × 18 mm	Φ160 mm	Φ90 mm	Φ147 mm	2	460 g	25.4 W	24 VDC	SMR-03V-B
MV-LRDS-H-160-60-B2	Blue	≥ 3600 Lux @ WD=100 mm	70 mm to 90 mm	60°	Φ160 mm × 18 mm	Φ160 mm	Φ90 mm	Φ147 mm	2	460 g	31.2 W	24 VDC	SMR-03V-B
MV-LRDS-H-160-90-W2	White	≥ 33500 Lux @ WD=100 mm	120 mm to 140 mm	90°	Φ160 mm × 18 mm	Φ160 mm	Φ90 mm	Φ147 mm	5	440 g	27.5 W	24 VDC	SMR-03V-B
MV-LRDS-H-160-90-R2	Red	≥ 9000 Lux @ WD=100 mm	120 mm to 140 mm	90°	Φ160 mm × 18 mm	Φ160 mm	Φ90 mm	Φ147 mm	5	440 g	19.3 W	24 VDC	SMR-03V-B
MV-LRDS-H-160-90-B2	Blue	≥ 4600 Lux @ WD=100 mm	120 mm to 140 mm	90°	Φ160 mm × 18 mm	Φ160 mm	Φ90 mm	Φ147 mm	5	440 g	21.1 W	24 VDC	SMR-03V-B
MV-LRDS-H-180-0-W2	White	≥ 17500 Lux @ WD=10 mm	0 mm to 10 mm	0°	Φ180 mm × 16 mm	Φ180 mm	Φ140 mm	Φ150 mm	1	340 g	17.2 W	24 VDC	SMR-03V-B
MV-LRDS-H-180-0-R2	Red	≥ 3000 Lux @ WD=10 mm	0 mm to 10 mm	0°	Φ180 mm × 16 mm	Φ180 mm	Φ140 mm	Φ150 mm	1	340 g	12.1 W	24 VDC	SMR-03V-B
MV-LRDS-H-180-0-B2	Blue	≥ 1200 Lux @ WD=10 mm	0 mm to 10 mm	0°	Φ180 mm × 16 mm	Φ180 mm	Φ140 mm	Φ150 mm	1	340 g	12.5 W	24 VDC	SMR-03V-B
MV-LRDS-H-180-15-W2	White	≥ 15000 Lux @ WD=10 mm	20 mm to 30 mm	15°	Φ180 mm × 18 mm	Φ180 mm	Φ100 mm	Φ167 mm	2	570 g	38.5 W	24 VDC	SMR-03V-B
MV-LRDS-H-180-15-R2	Red	≥ 75000 Lux @ WD=10 mm	20 mm to 30 mm	15°	Φ180 mm × 18 mm	Φ180 mm	Φ100 mm	Φ167 mm	2	570 g	27.4 W	24 VDC	SMR-03V-B
MV-LRDS-H-180-15-B2	Blue	≥ 5000 Lux @ WD=10 mm	20 mm to 30 mm	15°	Φ180 mm × 18 mm	Φ180 mm	Φ100 mm	Φ167 mm	2	570 g	33.5 W	24 VDC	SMR-03V-B
MV-LRDS-H-180-45-W2	White	≥ 20000 Lux @ WD=100 mm	60 mm to 80 mm	45°	Φ180 mm × 18 mm	Φ180 mm	Φ100 mm	Φ167 mm	2	570 g	38.5 W	24 VDC	SMR-03V-B
MV-LRDS-H-180-45-R2	Red	≥ 10000 Lux @ WD=100 mm	60 mm to 80 mm	45°	Φ180 mm × 18 mm	Φ180 mm	Φ100 mm	Φ167 mm	2	570 g	27.4 W	24 VDC	SMR-03V-B
MV-LRDS-H-180-45-B2	Blue	≥ 6000 Lux @ WD=100 mm	60 mm to 80 mm	45°	Φ180 mm × 18 mm	Φ180 mm	Φ100 mm	Φ167 mm	2	570 g	33.5 W	24 VDC	SMR-03V-B
MV-LRDS-H-180-60-W2	White	≥ 35000 Lux @ WD=100 mm	70 mm to 90 mm	60°	Φ180 mm × 18 mm	Φ180 mm	Φ100 mm	Φ167 mm	2	570 g	38.5 W	24 VDC	SMR-03V-B
MV-LRDS-H-180-60-R2	Red	≥ 10000 Lux @ WD=100 mm	70 mm to 90 mm	60°	Φ180 mm × 18 mm	Φ180 mm	Φ100 mm	Φ167 mm	2	570 g	27.4 W	24 VDC	SMR-03V-B
MV-LRDS-H-180-60-B2	Blue	≥ 3500 Lux @ WD=100 mm	70 mm to 90 mm	60°	Φ180 mm × 18 mm	Φ180 mm	Φ100 mm	Φ167 mm	2	570 g	33.5 W	24 VDC	SMR-03V-B
MV-LRDS-H-180-75-W2	White	≥ 32000 Lux @ WD=100 mm	90 mm to 110 mm	75°	Φ180 mm × 18 mm	Φ180 mm	Φ100 mm	Φ167 mm	2	570 g	38.5 W	24 VDC	SMR-03V-B
MV-LRDS-H-180-75-R2	Red	≥ 15000 Lux @ WD=100 mm	90 mm to 110 mm	75°	Φ180 mm × 18 mm	Φ180 mm	Φ100 mm	Φ167 mm	2	570 g	27.4 W	24 VDC	SMR-03V-B
MV-LRDS-H-180-75-B2	Blue	≥ 10000 Lux @ WD=100 mm	90 mm to 110 mm	75°	Φ180 mm × 18 mm	Φ180 mm	Φ100 mm	Φ167 mm	2	570 g	33.5 W	24 VDC	SMR-03V-B
MV-LRDS-H-180-90-W2	White	≥ 37500 Lux @ WD=100 mm	140 mm to 160 mm	90°	Φ180 mm × 18 mm	Φ180 mm	Φ100 mm	Φ167 mm	6	550 g	34.3 W	24 VDC	SMR-03V-B
MV-LRDS-H-180-90-R2	Red	≥ 9000 Lux @ WD=100 mm	140 mm to 160 mm	90°	Φ180 mm × 18 mm	Φ180 mm	Φ100 mm	Φ167 mm	6	550 g	24.9 W	24 VDC	SMR-03V-B
MV-LRDS-H-180-90-B2	Blue	≥ 6000 Lux @ WD=100 mm	140 mm to 160 mm	90°	Φ180 mm × 18 mm	Φ180 mm	Φ100 mm	Φ167 mm	6	550 g	29.0 W	24 VDC	SMR-03V-B
MV-LRDS-H-200-0-W2	White	≥ 17500 Lux @ WD=10 mm	0 mm to 10 mm	0°	Φ200 mm × 16 mm	Φ200 mm	Φ160 mm	Φ170 mm	1	370 g	20.0 W	24 VDC	SMR-03V-B
MV-LRDS-H-200-0-R2	Red	≥ 2600 Lux @ WD=10 mm	0 mm to 10 mm	0°	Φ200 mm × 16 mm	Φ200 mm	Φ160 mm	Φ170 mm	1	370 g	12.1 W	24 VDC	SMR-03V-B
MV-LRDS-H-200-0-B2	Blue	≥ 1200 Lux @ WD=10 mm	0 mm to 10 mm	0°	Φ200 mm × 16 mm	Φ200 mm	Φ160 mm	Φ170 mm	1	370 g	15.4 W	24 VDC	SMR-03V-B

## Specification

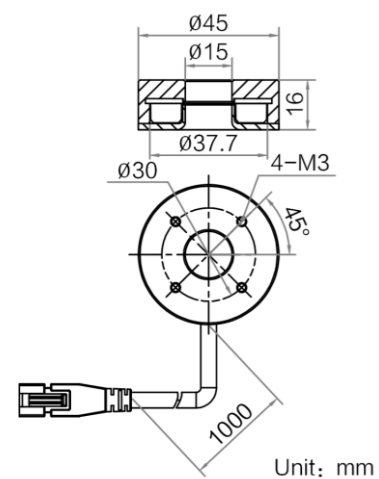
Parameter	Performance				Mechanical						Electrical feature		
	Model	Color	Center illuminance	Best working distance	Irradiation angle	Dimension	Outer dimension	Bore dimension	Emitting area length	LED rows	Weight	Power	Input voltage
MV-LRDS-H-200-30-W2	White	≥ 24000 Lux @ WD=100 mm	20 mm to 40 mm	30°	Φ200 mm × 18 mm	Φ200 mm	Φ115 mm	Φ187 mm	2	680 g	47.5 W	24 VDC	SMR-03V-B
MV-LRDS-H-200-30-R2	Red	≥ 12000 Lux @ WD=100 mm	20 mm to 40 mm	30°	Φ200 mm × 18 mm	Φ200 mm	Φ115 mm	Φ187 mm	2	680 g	32.9 W	24 VDC	SMR-03V-B
MV-LRDS-H-200-30-B2	Blue	≥ 8000 Lux @ WD=100 mm	20 mm to 40 mm	30°	Φ200 mm × 18 mm	Φ200 mm	Φ115 mm	Φ187 mm	2	680 g	39.0 W	24 VDC	SMR-03V-B
MV-LRDS-H-200-90-W2	White	≥ 38000 Lux @ WD=100 mm	180 mm to 200 mm	90°	Φ200 mm × 18 mm	Φ200 mm	Φ115 mm	Φ187 mm	7	652 g	46.5 W	24 VDC	SMR-03V-B
MV-LRDS-H-200-90-R2	Red	≥ 12000 Lux @ WD=100 mm	180 mm to 200 mm	90°	Φ200 mm × 18 mm	Φ200 mm	Φ115 mm	Φ187 mm	7	652 g	33.1 W	24 VDC	SMR-03V-B
MV-LRDS-H-200-90-B2	Blue	≥ 6000 Lux @ WD=100 mm	180 mm to 200 mm	90°	Φ200 mm × 18 mm	Φ200 mm	Φ115 mm	Φ187 mm	7	652 g	35.8 W	24 VDC	SMR-03V-B
MV-LRDS-H-230-15-W2	White	≥ 3000 Lux @ WD=10 mm	20 mm to 30 mm	15°	Φ230 mm × 18 mm	Φ230 mm	Φ145 mm	Φ217 mm	2	810 g	59.9 W	24 VDC	SMR-03V-B
MV-LRDS-H-230-15-R2	Red	≥ 1500 Lux @ WD=10 mm	20 mm to 30 mm	15°	Φ230 mm × 18 mm	Φ230 mm	Φ145 mm	Φ217 mm	2	810 g	37.9 W	24 VDC	SMR-03V-B
MV-LRDS-H-230-15-B2	Blue	≥ 1000 Lux @ WD=10 mm	20 mm to 30 mm	15°	Φ230 mm × 18 mm	Φ230 mm	Φ145 mm	Φ217 mm	2	810 g	48.9 W	24 VDC	SMR-03V-B
MV-LRDS-H-230-60-W2	White	≥ 12000 Lux @ WD=100 mm	60 mm to 100 mm	60°	Φ230 mm × 18 mm	Φ230 mm	Φ145 mm	Φ217 mm	2	810 g	60.0 W	24 VDC	SMR-03V-B

## Other Parameters

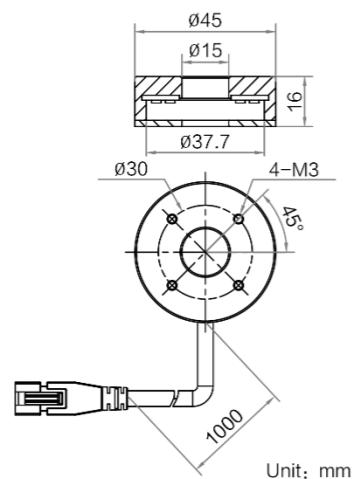
Model	MV-LRDS-H (V2.0)
<b>Performance</b>	
Wavelength	R: 630 nm B: 460 nm
Color temperature	W: 6000K to 7500K
<b>Mechanical</b>	
Cable length	1 m
Cooling mode	Natural cooling
Temperature	Working temperature: 0 °C to 40 °C (32 °F to 104 °F) Storage temperature: -20 °C to 60 °C (-4 °F to 140 °F)
Humidity	20% RH to 90% RH (no condensation)
Diffuse plate included	PMMA

## Dimension

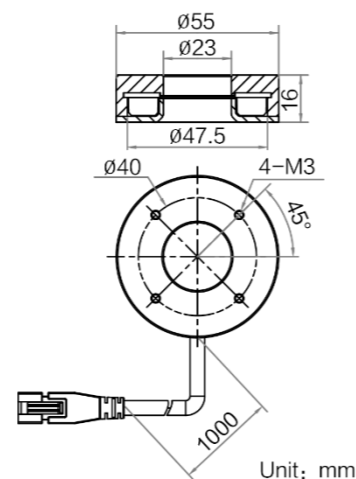
MV-LRDS-H-45-60-\*2



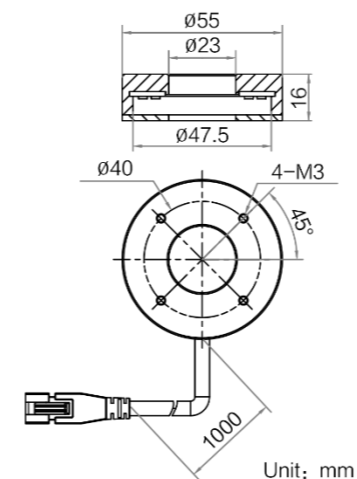
MV-LRDS-H-45-90-\*2



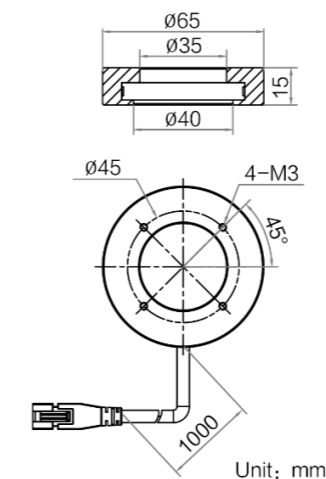
MV-LRDS-H-55-60-\*2



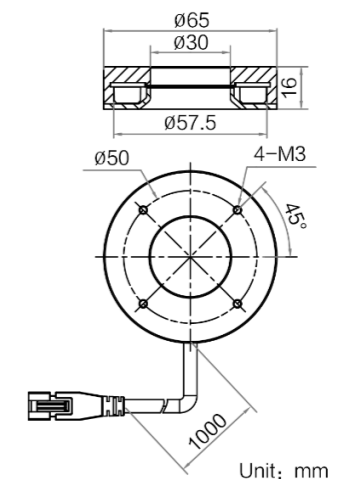
MV-LRDS-H-55-90-\*2



MV-LRDS-H-65-0-\*2



MV-LRDS-H-65-30-\*2



Unit: mm

Unit: mm

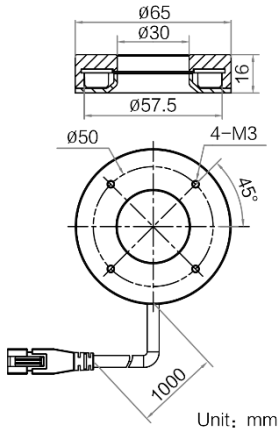
Unit: mm

Unit: mm

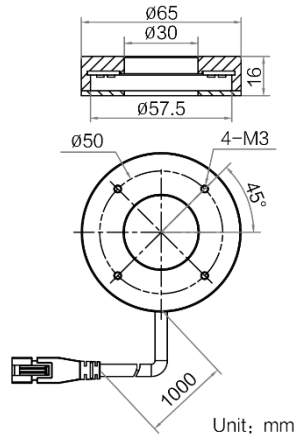
Unit: mm

Unit: mm

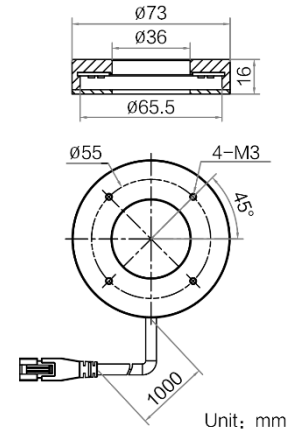
MV-LRDS-H-65-60-\*2



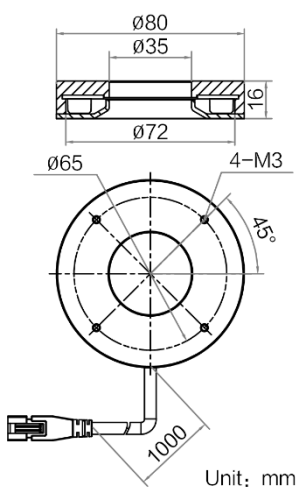
MV-LRDS-H-60-90-\*2



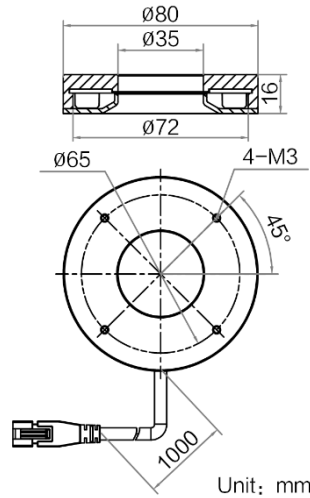
MV-LRDS-H-73-90-\*2



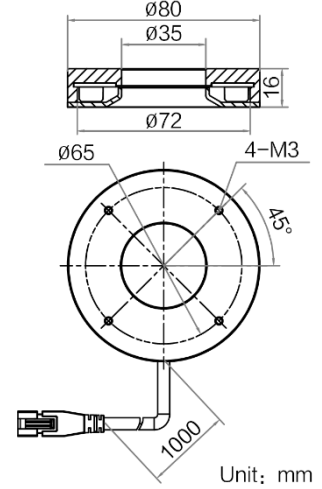
MV-LRDS-H-80-15-\*2



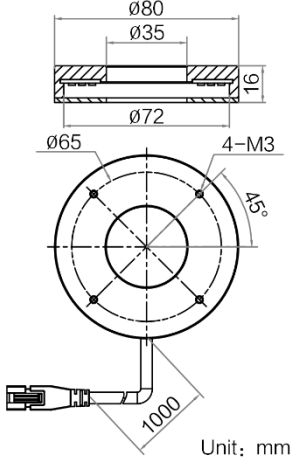
MV-LRDS-H-80-30-\*2



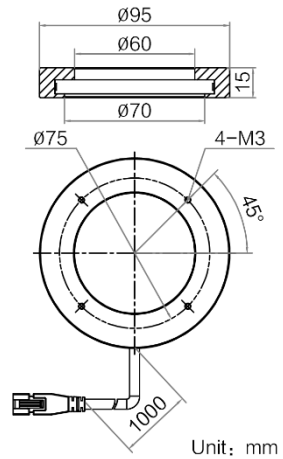
MV-LRDS-H-80-60-\*2



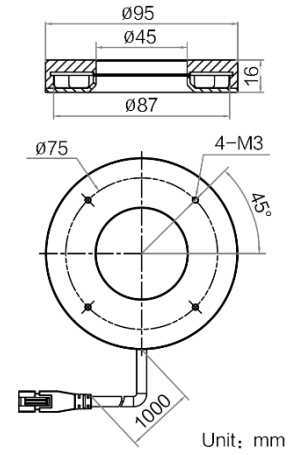
MV-LRDS-H-80-90-\*2



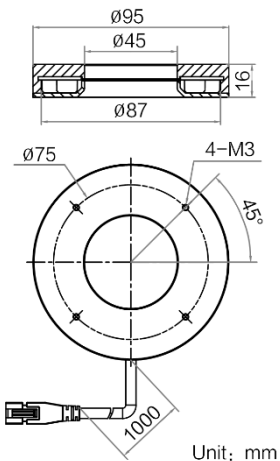
MV-LRDS-H-95-0-\*2



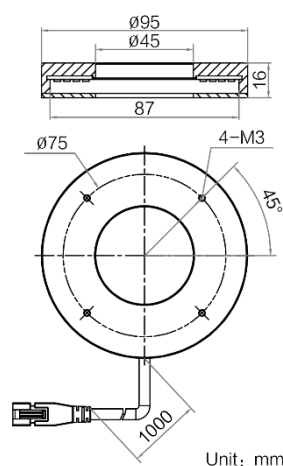
MV-LRDS-H-95-30-\*2



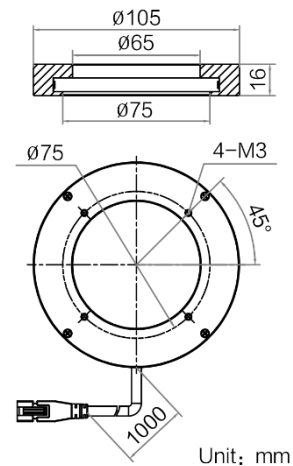
MV-LRDS-H-95-60-\*2



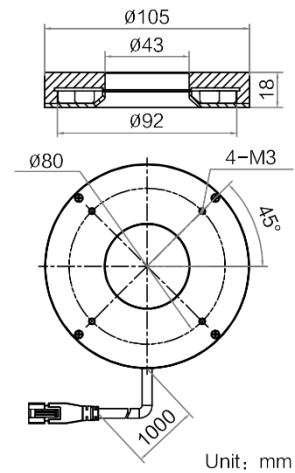
MV-LRDS-H-95-90-\*2



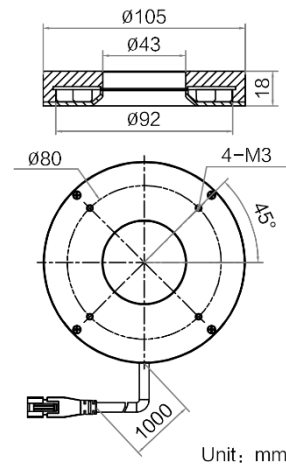
MV-LRDS-H-105-0-\*2



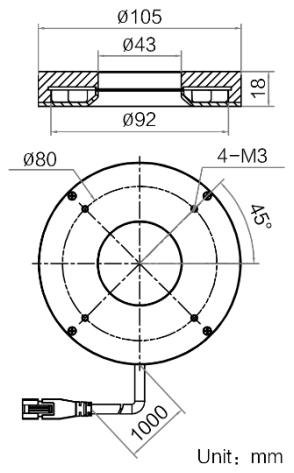
MV-LRDS-H-105-15-\*2



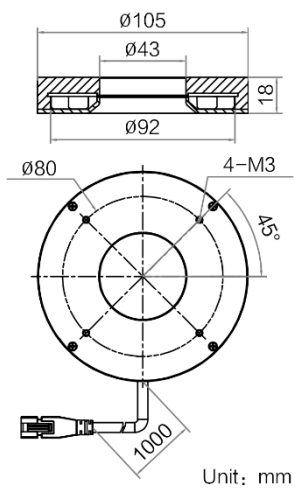
MV-LRDS-H-105-30-\*2



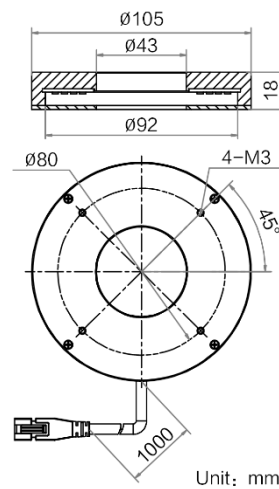
MV-LRDS-H-105-45-\*2



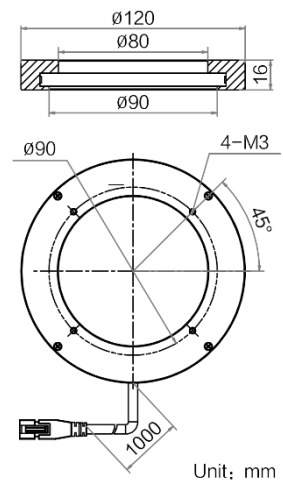
MV-LRDS-H-105-60-\*2



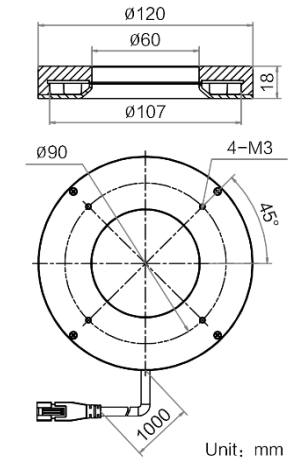
MV-LRDS-H-105-90-\*2



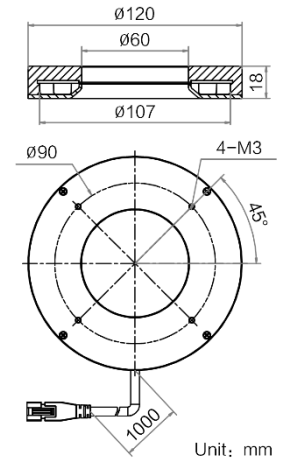
MV-LRDS-H-120-0-\*2



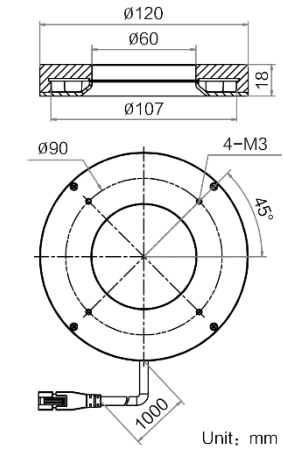
MV-LRDS-H-120-30-\*2



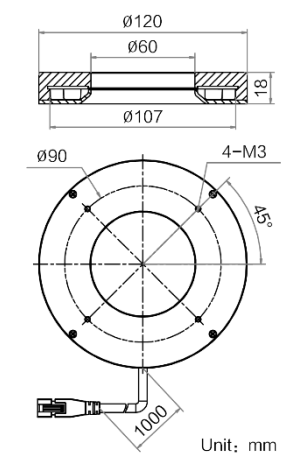
MV-LRDS-H-120-45-\*2



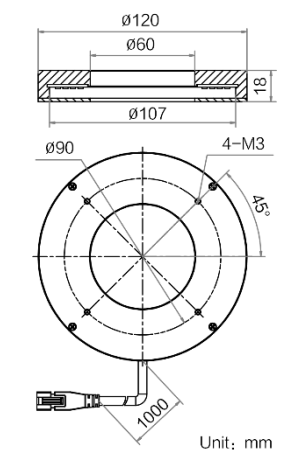
MV-LRDS-H-120-60-\*2



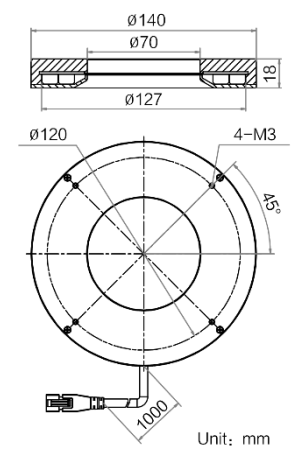
MV-LRDS-H-120-75-\*2



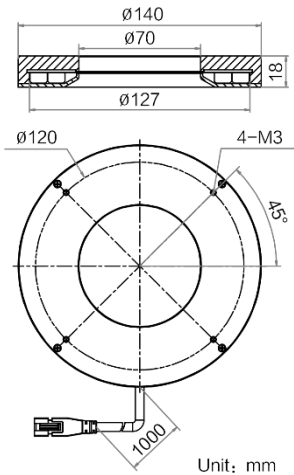
MV-LRDS-H-120-90-\*2



MV-LRDS-H-140-15-\*2

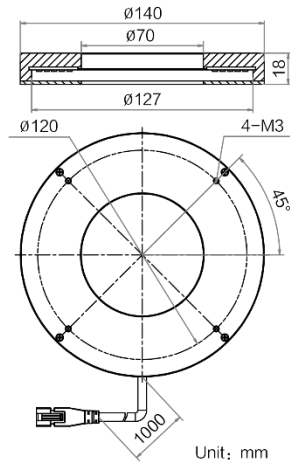


MV-LRDS-H-140-45-\*2



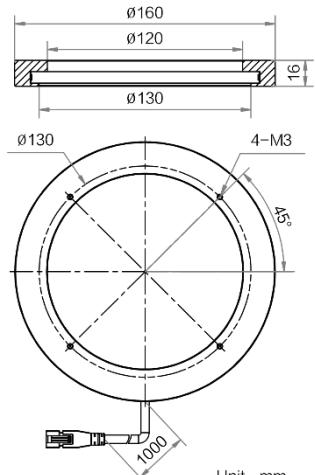
Unit: mm

MV-LRDS-H-140-90-\*2



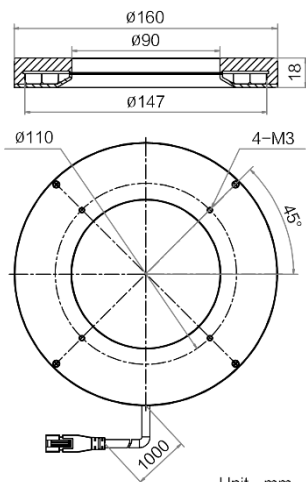
Unit: mm

MV-LRDS-H-160-0-\*2



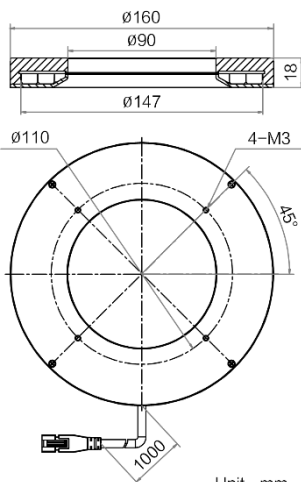
Unit: mm

MV-LRDS-H-160-30-\*2



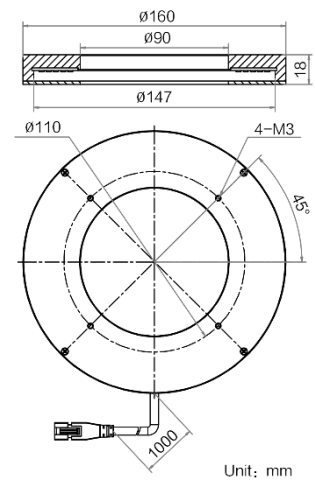
Unit: mm

MV-LRDS-H-160-60-\*2



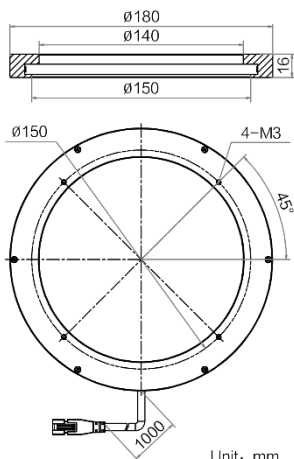
Unit: mm

MV-LRDS-H-160-90-\*2



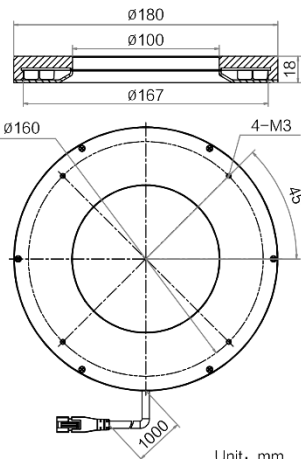
Unit: mm

MV-LRDS-H-180-0-\*2



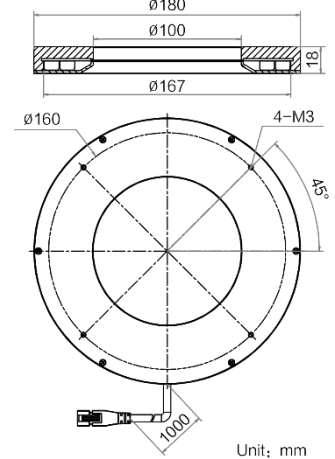
Unit: mm

MV-LRDS-H-180-15-\*2



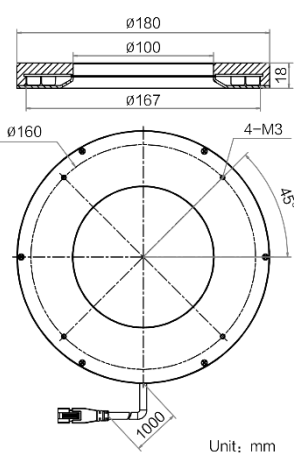
Unit: mm

MV-LRDS-H-180-45-\*2



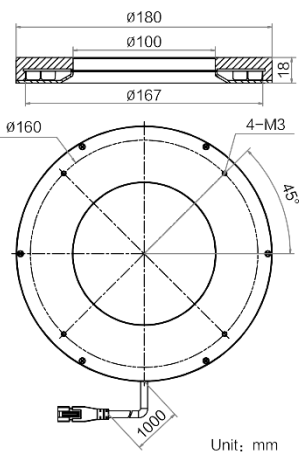
Unit: mm

MV-LRDS-H-180-60-\*2



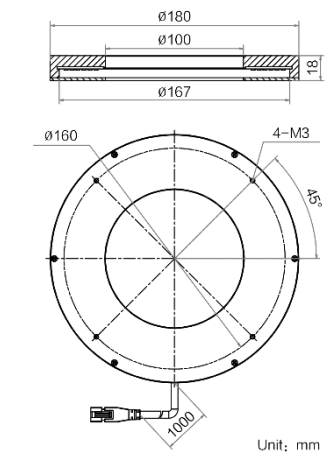
Unit: mm

MV-LRDS-H-180-75-\*2



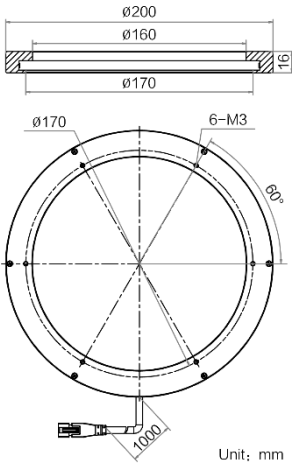
Unit: mm

MV-LRDS-H-180-90-\*2



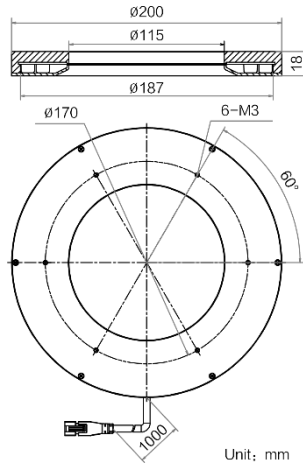
Unit: mm

MV-LRDS-H-200-0-\*2



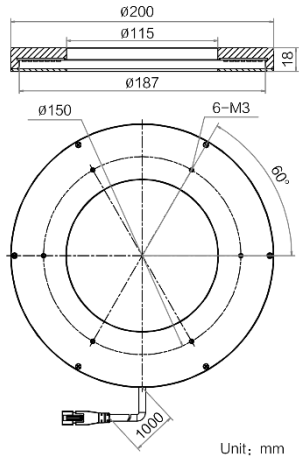
Unit: mm

MV-LRDS-H-200-30-\*2



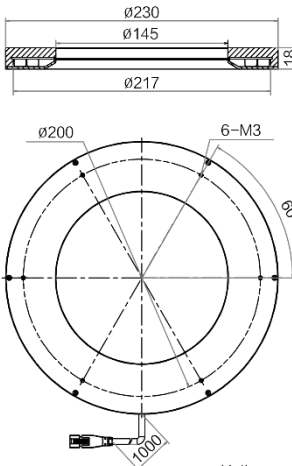
Unit: mm

MV-LRDS-H-200-90-\*2



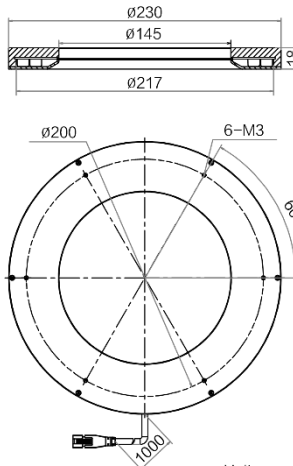
Unit: mm

MV-LRDS-H-230-15-\*2



Unit: mm

MV-LRDS-H-230-60-W2



Unit: mm

## Note

- Do not stare at an operating light source. It may be harmful to eyes. Measured at 200 mm distance, risk group (RG) 1 retinal blue light or thermal hazard occurs.
- Keep at least 0.85 m distance from the light source. Or there may be light irradiation hazard.
- Wear sunglasses before installing or maintaining a light source. Without sunglasses, the personnel shall keep at least 0.85 m distance and stay at the place without direct light irradiation, and then operate a light source.

# HIKROBOT

Hangzhou Hikrobot Co. Ltd.  
 en.hikrobotics.com