

LVM-110

Voltage Output LVDT/RVDT OEM Signal Conditioner

SPECIFICATIONS

- ◆ Low cost OEM signal conditioner
- ◆ Very compact, open PC board design
- ◆ Multiple unipolar and bipolar output options
- ◆ DIP switch selectable gain and excitation
- ◆ 2.5, 5, 8 and 10kHz excitation frequencies
- ◆ Zero and span adjustment potentiometers
- ◆ Master/slave capability
- ◆ Card-edge or barrier strip connections
- ◆ Works with very low input impedance LVDTs and RVDTs

FEATURES

- ◆ Low cost/high performance
- ◆ 3-pole Butterworth filter
- ◆ DIP switch selectable gain, output and LVDT excitation frequency
- ◆ 20-turn zero suppression & span potentiometers

APPLICATIONS

- ◆ Position feedback systems
- ◆ High density dimensional gaging
- ◆ Space restrictive installations
- ◆ Testing systems
- ◆ Integration into OEM machines

The **LVM-110** is a full-featured LVDT/RVDT signal conditioner that offers excellent performance on a budget. Operating on either a ± 12 or ± 15 VDC supply voltage, the LVM-110 delivers a full range of selectable unipolar and bipolar, low noise DC voltage outputs.

Designed to be compatible with most LVDT and RVDT transducers, the LVM-110 will operate with 5 and 6 electrical connection devices. This versatility is due to the wide variety of selectable excitation frequencies, and a generous excitation drive current of 20mA, allowing operation with transducer input impedances as low as 150 Ohms. The master/slave function (DIP switch selectable) allows synchronization of multiple conditioners to prevent beat frequencies and cross talk between transducers. The need for phase correction adjustment is eliminated thanks to demodulation synchronized to the sum of the LVDT/RVDT outputs.

The LVM-110 is designed for easy installation, plugged into a backplane-type connector, or with individual wires connected to the screw terminal barrier strip. Measuring less than 2.5x2.5 inches, it can be mounted or stacked using the permanently attached threaded standoffs, or card-edge guides. All selectable operating parameters are easily accessed via two DIP switches, simplifying the gain, frequency and output setup procedure.

PERFORMANCE SPECIFICATIONS

| ELECTRICAL SPECIFICATIONS | |
|-----------------------------------|---|
| Supply voltage | ±12VDC or ±15VDC, ±10% (Note: ±15VDC required for ±10VDC output) |
| Supply current | ±50mA maximum |
| Output voltage ranges | ±5VDC, ±10VDC, 0 to +5VDC, 0 to +10VDC (DIP switch selectable) |
| Temperature coefficient of output | ±0.02% of FSO per °F [±0.036% of FSO per °C] over operating temperature range |
| Output current | 5mA maximum |
| Output noise and ripple | 15mV RMS maximum |
| Output impedance | 1Ω maximum |
| Frequency response | 250Hz @ -3 dB (3-pole Butterworth filter) |
| Non-linearity | ±0.05% of FSO maximum |
| Stability | ±0.05% of FSO maximum (after 15 minute warm-up) |
| Zero suppression | ±6VDC total |
| Transducer excitation | |
| Voltage | 3VRMS ±10%, sine wave |
| Current | 20mA RMS maximum |
| Frequency | 2.5, 5, 8 or 10KHz (DIP switch selectable) |
| Transducer requirements | |
| Transducer type | LVDT or RVDT with 5 or 6 electrical connections |
| LVDT/RVDT input impedance | 150Ω minimum |
| LVDT/RVDT output range | 0.1 to 5.6 VRMS for ±10VDC signal conditioner output |

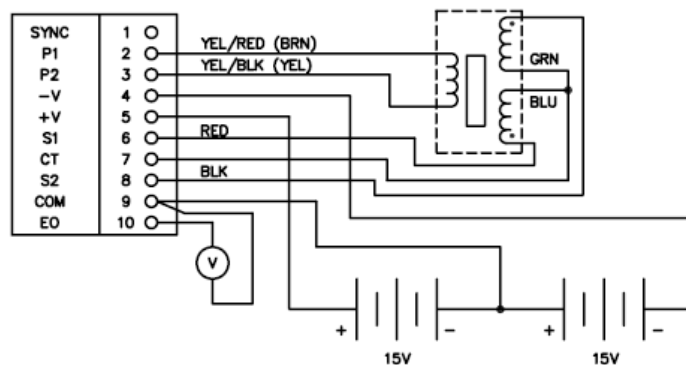
| ENVIRONMENTAL AND MECHANICAL SPECIFICATIONS | |
|--|--|
| Operating temperature range | 30°F to +130°F [-1°C to 55°C] |
| Storage temperature range | -40°F to +257°F [-40°C to 125°C] |
| Zero and gain adjustments | 20-turn potentiometers |
| Electrical connections | PC board edge (to backplane-type connector) or barrier terminal strip (accepts AWG 14 to 30 wire sizes) |
| Mounting | Use the attached threaded standoffs or card-edge guides |

Notes:

All values are nominal unless otherwise noted

FSO (Full Scale Output) is the largest absolute value of the outputs measured at the range ends

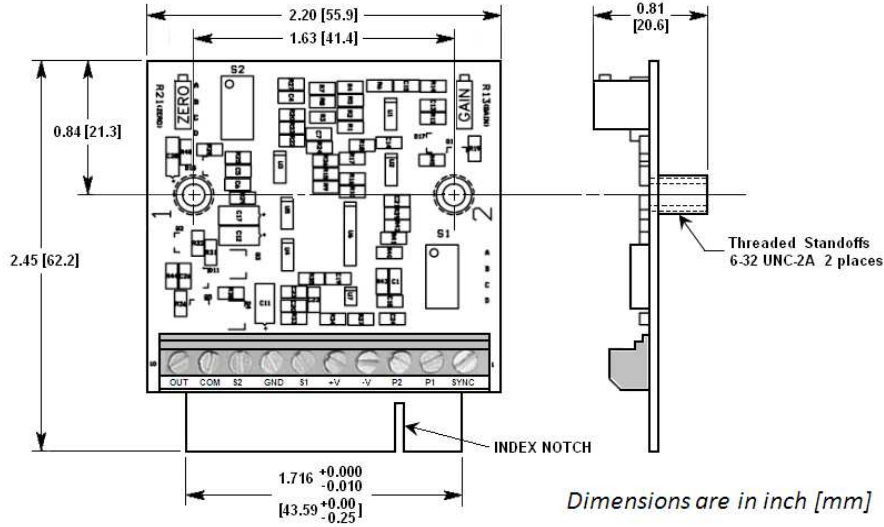
WIRING SCHEMATIC



LVM-110

Voltage Output, LVDT/RVDT OEM Signal Conditioner

DIMENSIONS



ORDERING INFORMATION

| Description | Model | Part Number |
|---|----------------------------------|--------------|
| LVDT/RVDT Voltage Output, OEM Signal Conditioner | LVM-110 | 04171776-000 |
| Dual rail DC power supply ($\pm 15\text{VDC}$) | PSD 40-15 | 02291339-000 |
| Mating Connector (<i>sold separately</i>) | CINCH 5010A-20 PCB EDGE 1 | 62105012-000 |
| Cable to connect HCA/HCI/GCA/R36AS to LVM-110 (1) | PTO6A-10-6S to Stripped & Tinned | 04290417-000 |
| Extension cable to connect LBB (option -001) to LVM-110 (1) | PTO6A-10-6S to Stripped & Tinned | 04290582-000 |

(1) All cables are shielded, 10 foot long, and rated 80°C [176°F]. Consult factory for other lengths.

NORTH AMERICA

Measurement Specialties, Inc.,
a TE Connectivity Company
Phone +1-800-522-6752
Email: customercare.pens@te.com

EUROPE

MEAS Deutschland GmbH(Europe)
a TE Connectivity Company
Phone: +49-800-440-5100
Email: customercare.dtm@te.com

ASIA

Measurement Specialties (China), Ltd.,
a TE Connectivity Company
Phone: +86-400-820-6015
Email: customercare.shzn@te.com

TE.com/sensorsolutions

Measurement Specialties, Inc., a TE Connectivity company.

Accustar, American Sensor Technologies, AST, ATEXIS, DEUTSCH, IdentiCal, TruBlue, KPSI, Krystal Bond, Microfused, UltraStable, Measurement Specialties, MEAS, Schaevitz, TE Connectivity, TE, and the TE connectivity (logo) are trademarks of the TE Connectivity Ltd. family of companies. Other logos, product and company names mentioned herein may be trademarks of their respective owners.

The information given herein, including drawings, illustrations and schematics which are intended for illustration purposes only, is believed to be reliable. However, TE Connectivity makes no warranties as to its accuracy or completeness and disclaims any liability in connection with its use. TE Connectivity's obligations shall only be as set forth in TE Connectivity's Standard Terms and Conditions of Sale for this product and in no case will TE Connectivity be liable for any incidental, indirect or consequential damages arising out of the sale, resale, use or misuse of the product. Users of TE Connectivity products should make their own evaluation to determine the suitability of each such product for the specific application.