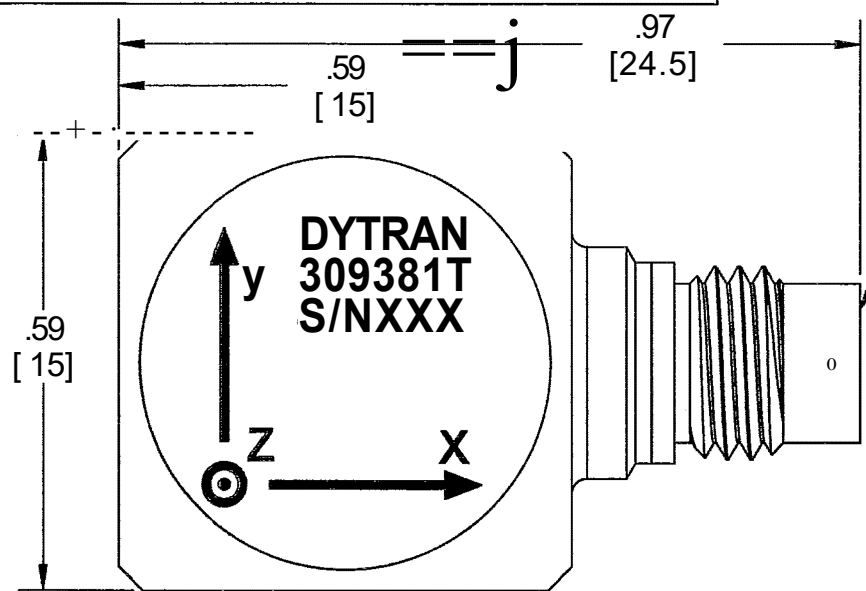


**PROPRIETARY AND CONFIDENTIAL**

THE INFORMATION CONTAINED IN THIS DRAWING IS THE SOLE PROPERTY OF DYTRAN INSTRUMENTS INC. ANY REPRODUCTION IN PART OR AS A WHOLE WITHOUT THE WRITTEN PERMISSION OF DYTRAN INSTRUMENTS INC. IS PROHIBITED

REVISIONS

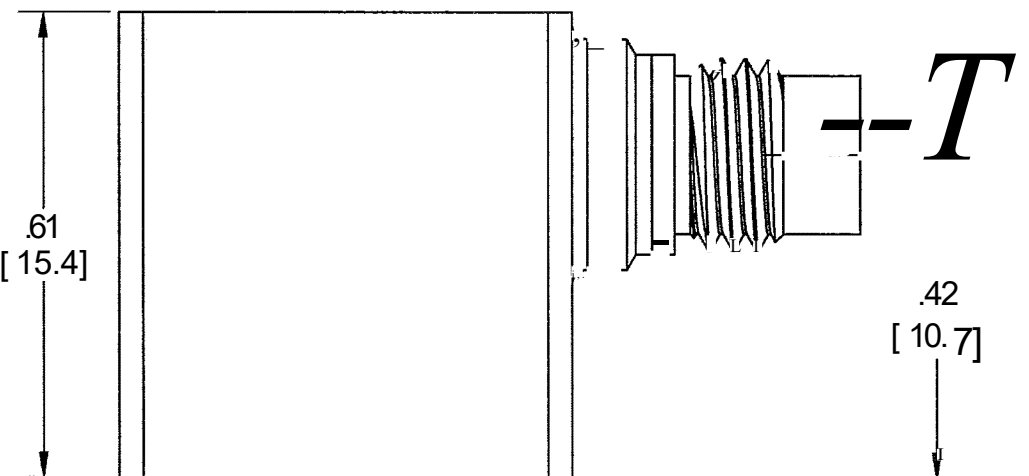
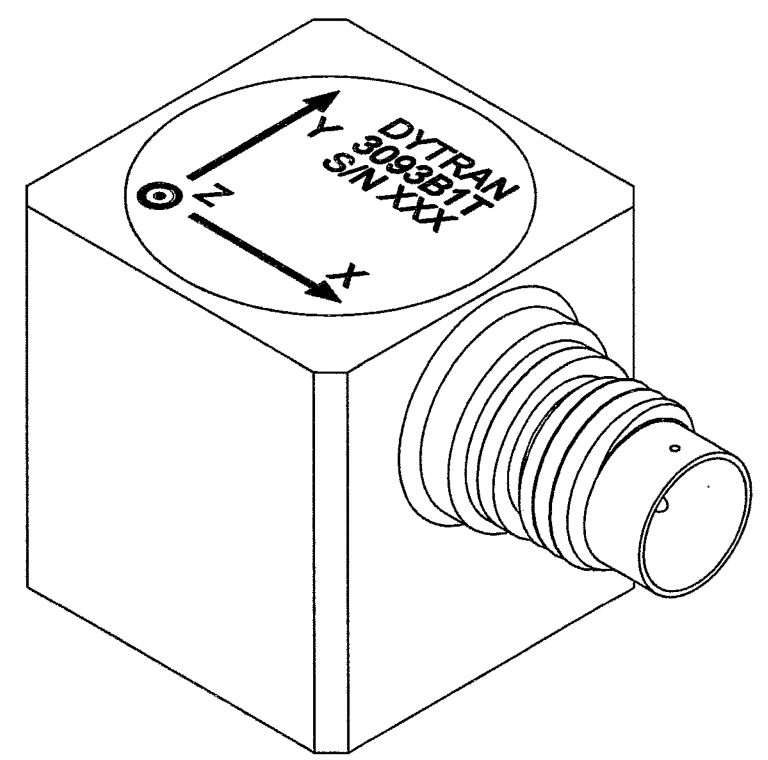
REV.	ECN	DESCRIPTION	BY/DATE	CHK	APPR
A	5233	INITIAL RELEASE	DV, 5/12/08	CES	DV
B	5297	REVISED CONNECTOR PINOUTS	JS 06/18/08	RA	DV
C	9425	ADDED: 6200 MTG STUD & MTG SURFACE PREPARATION, NOTE 4	JS 12/11/12		<i>[Signature]</i>



CONNECTOR MATES WITH DYTRAN CABLE ASSY 6430AXX (XX DENOTES LENGTH IN FEET)

iii  
AXIS 2 (+Y)

3  
AXIS 1 (+X)



GROUND RETURN, COMMON  
SIG/PWR AXIS 1 (X)

SIG/PWR AXIS 3 (Z)

SIG/PWR AXIS 2 (Y)

MOUNTING SURFACE  
10-32 X .15 W THD

MODEL 6200 MTG STUD (SUPPLIED)

MOUNTING SURFACE PREPARATION:  
SELECT SURFACE FLAT TO .001 TIR  
TAP 10-32 UNF-2B X .200 MIN THD DEPTH.  
RECOMMENDED TORQUE 10-12 LB-IN.



Presented by: Absolute Gauge Technologies  
sales@absolute-gauge.com; www.absolute-gauge.com,  
Toronto: 416 754 3168, Montreal: 514 695 5147, Toll Free: 1 888 754 7008

4. ENVIRONMENTAL SEAL: HERMETIC

iii(+) SIGNS INDICATE SENSITIVE AXIS AND DIRECTION OF INPUT ACCELERATION FOR POSITIVE OUTPUT SIGNAL.

2. WEIGHT 10 GRAMS.

1. MATERIAL TI 6AL-4V.

NOTES: UNLESS OTHERWISE SPECIFIED

DRILL HOLE SIZE	TOLERANCE
.0135 THRU .125	+0.004 / -0.001
.1260 THRU .250	+0.005 / +0.001
.25 THRU .500	+0.006 / -0.001
.5010 THRU .750	+0.008 / -0.001
.7510 THRU 1.000	+0.010 / -0.001
1.001 THRU 2.000	+0.012 / -0.001

UNLESS OTHERWISE SPECIFIED, INTERPRET DIM & TOL PER ASME Y14.5M-1994. REMOVE BURRS. COUNTERSINK INTERNAL THDS 90° TO MAJOR DIA. CHAM EXT THDS 45° TO MINOR DIA. DEPTHS ARE FOR MATERIAL.  
F71La: AND THDS PER MIL-S-7742. DIMENSIONS APPLY AFTER FINISHING. ALL MACHINED SURFACES. 6 V TOTAL RUNOUT WITHIN .005. BREAK SHARP EDGES .005 TO .010.  
ABBREVIATIONS PER MIL-STD-12.

UNLESS OTHERWISE SPECIFIED: DIMENSIONS ARE IN INCHES. TOLERANCES ARE:  
DECIMALS .XX ± .010  
ANGLES .1°

CONTRACT NO.

APPROVALS	DATE
CHK CES	05/21/08
APP DV	05/21/08
APP JFV	12/11/12

**MASTER COPY ONLY IF IN RED**  
DYTRAN INSTRUMENTS, INC. Chatsworth, CA

TITLE: **OUTLINE/ INSTALLATION DRAWING MODEL 309381T**

SIZE: **B** CAGE CODE: **2W033** DWG NO: **127-309381 T** REV: **C**

SCALE: **4:1** SOLIDWORKS SHEET **1** of **1**

## SPECIFICATIONS, MODEL 3093B1T TRIAXIAL ACCELEROMETER

SPECIFICATIONS	VALUE	UNITS
RANGE, F.S. (each axis, for $\pm 5$ volts out)	$\pm 50$	G
SENSITIVITY, +15 -10% [1]	100	mV/G
FREQUENCY RESPONSE, +/- 10%	2 to 5000	Hz
ELEMENT NATURAL FREQUENCY	>30	kHz
DISCHARGE TIME CONSTANT	0.5 to 1.5	SEC
EQUIVALENT ELECTRICAL NOISE	.0007	G, RMS
LINEARITY [2]	1	%F.S.
TRANSVERSE SENSITIVITY, MAX,	5	%
OUTPUT BIAS VOLTAGE	+11 to +13	VDC
OUTPUT IMPEDANCE, TYP.	100	OHMS
TEMPERATURE RANGE	-60 to +180	$^{\circ}$ F
COEFFICIENT OF THERMAL SENSITIVITY	.03	%/ $^{\circ}$ F
MAXIMUM VIBRATION	+/- 100	G
MAXIMUM SHOCK	500	G
SIZE (HEIGHT x WIDTH x DEPTH)	0.61 x .59 x .59	INCHES
WEIGHT	10.0	GRAMS
CONNECTOR	4-PIN [3]	
SUPPLY CURRENT RANGE, (each axis) [4]	2-to 20	mA
COMPLIANCE (SUPPLY) VOLTAGE RANGE (each axis)	+18 to +30	VDC
MATERIAL, HOUSING/CONNECTOR	TI 6AL-4V	TITANIUM ALLOY
ENVIRONMENTAL SEAL	HERMETIC	
MOUNTING [5]	10-32 TAPPED HOLE	
GROUND ISOLATION	10, MIN.	MEGOHMS
TED S TEMPLATE	1451.4 V1.0	

[1] Reference sensitivity measured at 100 Hz, 1 G RMS per ISA RP 37.2

[2] Linearity is % of specified full scale (or any lesser full-scale range), zero-based best fit straight-line method.

[3] Connector mates with Dytran cable assy. Model 6430AXX. (XX = length in feet)

[4] Power only with Dytran LIVM power unit or other Dytran-compatible constant current type power unit. If power is applied without current limiting protection, the internal amplifier will be immediately destroyed.

[5] Case ground isolation is achieved by internal means.



Presented by: Absolute Gauge Technologies  
 sales@absolutegauge.com; www.absolutegauge.com,  
 Toronto: 416 754 3168, Montreal: 514 695 5147, Toll Free: 1 888 754 7008