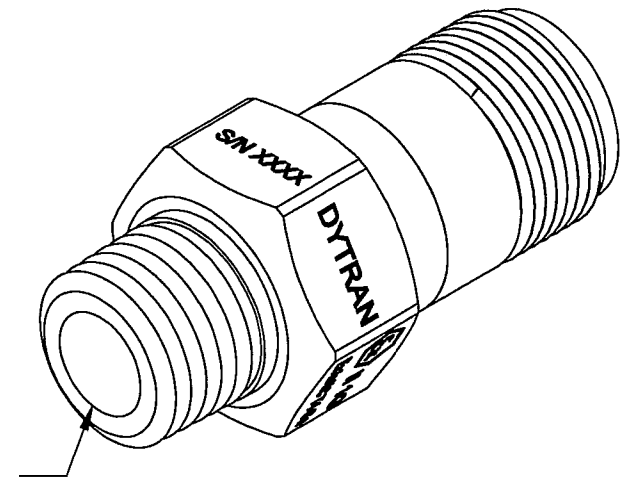
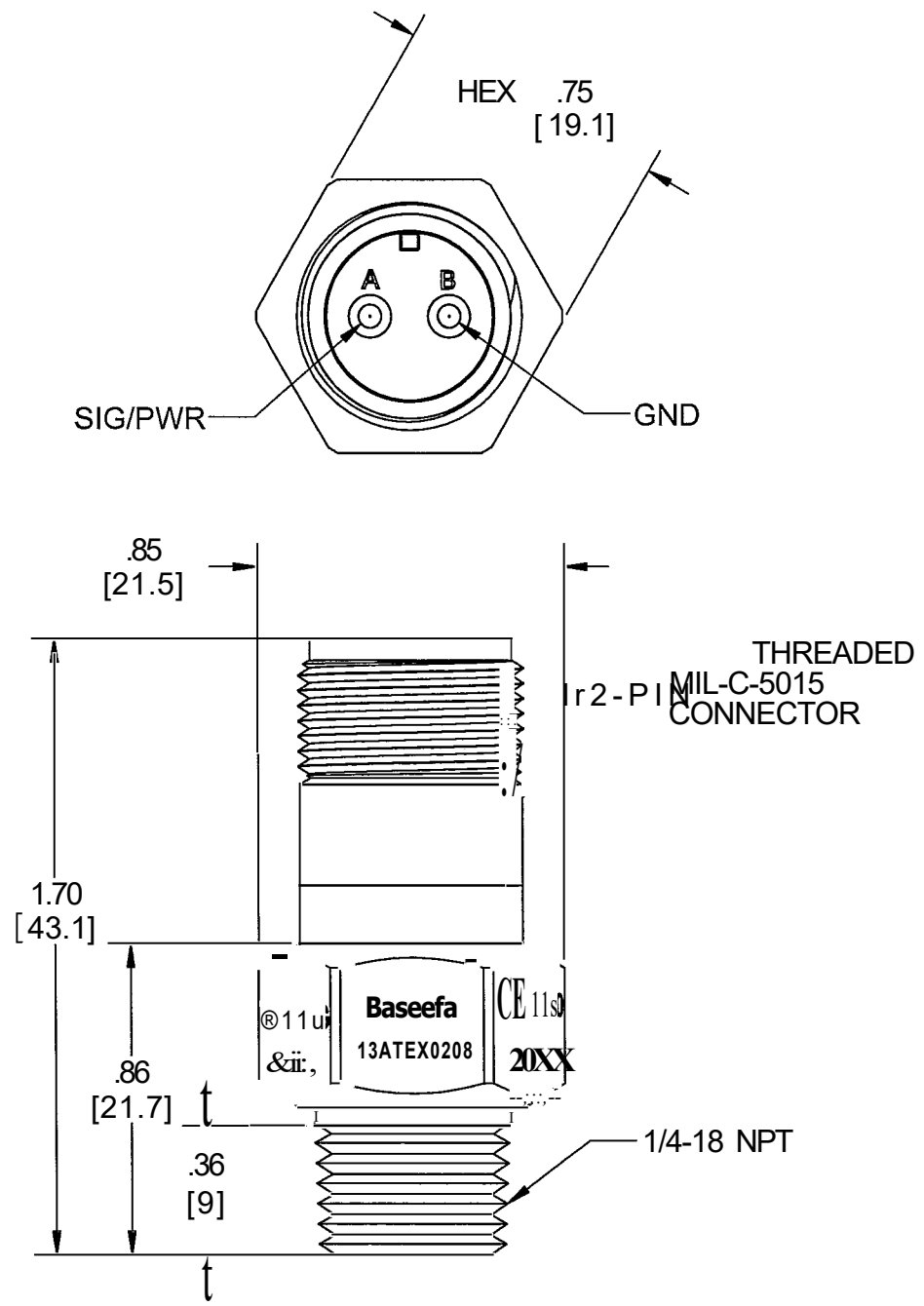


PROPRIETARY AND CONFIDENTIAL

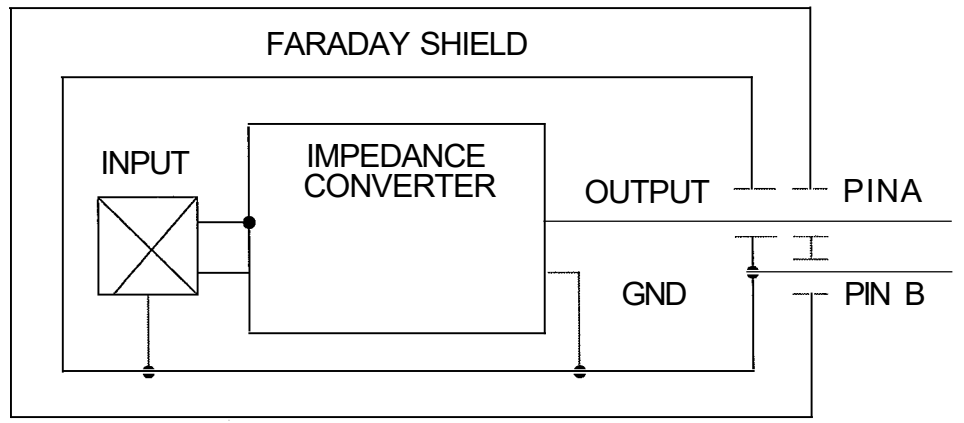
THE INFORMATION CONTAINED IN THIS DRAWING IS THE SOLE PROPERTY OF DYTRAN INSTRUMENTS INC. ANY REPRODUCTION IN PART OR AS A WHOLE WITHOUT THE WRITTEN PERMISSION OF DYTRAN INSTRUMENTS INC. IS PROHIBITED

REVISIONS

REV.	ECN	DESCRIPTION	BY/DATE	CHK	APPR
A	5698	INITIAL RELEASE	01/26/09	ANS	DV
B	5351	UPDATED FORMAT	RA, 07/28/10	EP	DV
C	10439	ADDED SCHEMATIC, NOTES 3 & 4, CONFIGURATION CONTROL STAMP, AND ATEX MARKING	AB 10/02/13		<y



MODEL	SENSITIVITY
2006V1	10mV/PSI
2006V2	50mV/PSI
2006V3	100mV/PSI



SCHEMATIC DIAGRAM

NO CHANGES ALLOWED
WITHOUT CONSENT OF
CONFIGURATION CONTROL BOARD
DYTRAN INSTRUMENTS INC.

ENG: [Signature] QA

- 4. TOTAL SENSOR CAPACITANCE, C_i (PIEZO ELEMENT PLUS CIRCUIT CAPACITORS): 18 pF MAXIMUM. SENSOR CONTAINS NO INDUCTIVE COMPONENTS.
- 3. IMPEDANCE CONVERTER HAS NO VOLTAGE ENHANCING/GENERATING PARTS.
- 2. MATERIAL: HOUSING/DIAPHRAGM - 316L
CONNECTOR - 304L
- 1. CASE TO GROUND PIN ISOLATION >100MO

NOTES: UNLESS OTHERWISE SPECIFIED

UNLESS OTHERWISE SPECIFIED: INTERPRET DIM & TOL PER ASME Y14.5M - 1994. REMOVE BURRS. CHAM EXT THDS 45° TO MINOR DIA. THD LENGTHS AND DEPTHS ARE FOR MIN FULL THDS. DIMENSIONS APPLY AFTER FINISHING.	UNLESS OTHERWISE SPECIFIED: DIMENSIONS ARE IN INCHES. TOLERANCES ARE:	
	DECIMALS .XX ±.01 XXX ±.005	ANGLES ±.1°
APPROVALS	DATE	
ORIG DV	04/28/08	
CHK ANS	01/27/09	
A P P 1-...cc D V	4-0 1/27 / 09	
DONOT (CALC) DRAWING	THIRD ANGLE PROJECTION	

DYTRAN INSTRUMENTS, INC. Chatsworth, CA

MASTER ONLY IF IN RED

TITLE: **OUTLINE/INSTALLATION DRAWING, 2006V**

SIZE: **B** CAGE CODE: **2W033** DWGNO: **127-2006V** REV: **C**

SCALE: 2:1 SOLIDWORKS SHEET 1 OF 1

MODEL NUMBER 2006V1	PERFORMANCE SPECIFICATION	DOC NO. PS2006V1
	DYNAMIC PRESSURE SENSOR, IEPE	REV C , ECN 10606, 12/18/13



- **HIGH SENSITIVITY**
- **ACCELERATION COMPENSATION**
- **ELECTRICALLY ISOLATED HOUSING**

PHYSICAL

Weight, Max
Mounting Provision
Connector
Diaphragm Material

	ENGLISH		SI	
Weight, Max	1.9	oz	55	grams
Mounting Provision	1/4-18 MNPT		1/4-18 MNPT	
Connector	MIL-C-5015, 2 PIN		MIL-C-5015, 2 PIN	
Diaphragm Material	316L		316L	

PERFORMANCE

Sensitivity +/- 10%
Range F.S for +/- 5 volts peak out
Maximum Pressure
Equivalent Electrical Noise (Resolution)
Mounted Resonant Frequency
Frequency Response, +/- 10%
Minimum Rise Time of Input Pulse
Discharge Time Constant
Linearity [1]
Lower -3db Frequency
Acceleration Sensitivity, Axial Direction

Sensitivity +/- 10%	10	mV/psi	1.45E-03	mV/Pa
Range F.S for +/- 5 volts peak out	+/-500	psi	3447379	Pa
Maximum Pressure	8000	psi	5.5 X 10 ⁷	Pa
Equivalent Electrical Noise (Resolution)	0.007	psi	48.20	Pa
Mounted Resonant Frequency	>50000	Hz	>50000	Hz
Frequency Response, +/- 10%	2 to 5000	Hz	2 to 5000	Hz
Minimum Rise Time of Input Pulse	2	µsec	2	µsec
Discharge Time Constant	0.17 to 0.5	sec	0.17 to 0.5	sec
Linearity [1]	+/-1	Hz	+/-1	%F.S
Lower -3db Frequency	1	Hz	1	Hz
Acceleration Sensitivity, Axial Direction	0.002	psi/g	0.014	Kpa/g

ENVIRONMENTAL

Maximum Vibration
Maximum Shock
Temperature Range
Thermal Coefficient Of Sensitivity
Environmental Seal
Power/Sig Ground Isolation, Min

Maximum Vibration	3000	g rms	3000	g rms
Maximum Shock	10000	g pk	10000	g pk
Temperature Range	-40 to +250	°F	-40 to +121	°C
Thermal Coefficient Of Sensitivity	0.03	% / °F	0.02	% / °C
Environmental Seal	Hermetic		Hermetic	
Power/Sig Ground Isolation, Min	100	MΩ	100	MΩ

ELECTRICAL

Excitation Voltage Range
Excitation Current Range [2]
Output Impedance NOM
Output Bias Voltage
Output Signal Polarity

Excitation Voltage Range	18 to 30	VDC	18 to 30	VDC
Excitation Current Range [2]	2 to 20	mA	2 to 20	mA
Output Impedance NOM	100	Ω	100	Ω
Output Bias Voltage	7.5 to 9.5	VDC	7.5 to 9.5	VDC
Output Signal Polarity	Positive		Positive	

This family also includes:

Model	Sensitivity (mV/psi)	Range (psi pk)	Resolution (Grms)	Oper. Temp(°F)	TC (Sec)
2006V2	50	100	0.0014	-40 to +250	0.17 to 0.5
2006V3	100	50	0.0007	-40 to +250	0.17 to 0.5

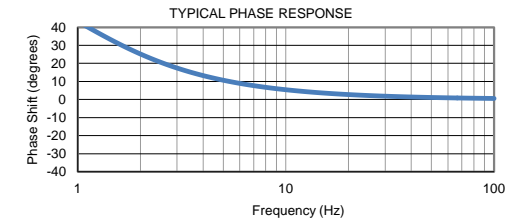
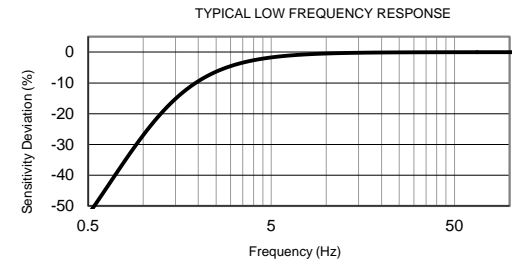
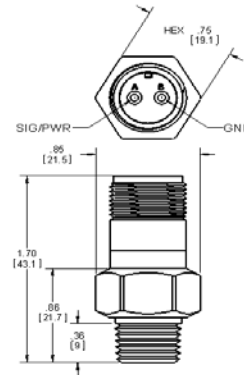
Please, refer to the performance specifications of the products in this family for detailed description.

Notes:

- [1] Percent full scale, zero based fit straight line method.
- [2] From constant current type power unit only. This sensor **MUST NOT BE CONNECTED** to a DC power source without current limiting, 20mA Maximum.
- [3] A calibration certificate traceable to NIST is supplied with each instrument.
- [4] In the interest of constant product improvement, we reserve the right to change the specification without notice

CERTIFICATIONS:

ATEX Ex II 1G Ex ia IIC T4 Ga (marked on each microphone)
Baseefa13ATEX0206(marked on each microphone)
CE certified (marked on each microphone)



Units on the line drawing are in inches, units in brackets are in millimeters. Refer to 127-2006V for more information.



21592 Marilla Street, Chatsworth, California 91311 Phone: 818.700.7818 Fax:818.700.7880
www.dytran.com For permission to reprint this content, please contact info@dytran.com



Presented by: Absolute Gauge Technologies
sales@absolute-gauge.com; www.absolute-gauge.com,
Toronto: 416 754 3168, Montreal: 514 695 5147, Toll Free: 1 888 754 7008