

# MV-IDH3013B

## 1.3 MP Wireless Handheld Code Reader



### Introduction

MV-IDH3013B wireless handheld code reader adopts code reading algorithm and can read different types of one-dimensional and two-dimensional codes, and output results rapidly. It has good decoding capability for codes with spots, defects and low contrast radio, and entry level DPM code. With smart bases, the code reader can realize charging and data communication.

### Key Feature

- Adopts code reading algorithm to read different types of one-dimensional and two-dimensional codes.
- Provides good robustness to read codes with spots, defects and low contrast radio.
- Supports continuous code reading, batch code reading for improving code reading efficiency.
- Adopts Bluetooth 5.0 wireless technology to provide convenient and efficient operations.
- With smart bases, parameter configuration and device management via IDMVS client software are supported.

### Available Model

- Fast Ethernet kit with near distance: MV-IDH3013B-05N-R1L
- Fast Ethernet kit with standard distance: MV-IDH3013B-05S-R1L
- USB interface kit with near distance: MV-IDH3013B-05N-R1U
- USB interface kit with standard distance: MV-IDH3013B-05S-R1U

### Accessories

- Code reader with near distance (without smart base)  
MV-IDH3013B-05N-R1
- Code reader with standard distance (without smart base)  
MV-IDH3013B-05S-R1
- Smart base with Fast Ethernet:  
MV-IDA-H30-IBASE-01L
- Smart base with USB interface:  
MV-IDA-H30-IBASE-01U

### Applicable Industry

Consumer electronics, medical treatment, appliance manufacturing, etc.

# Specification

Model	MV-IDH3013B-05N-R1L	MV-IDH3013B-05S-R1L
<b>Performance</b>		
<b>Symbologies</b>	1-dimensional codes: Code 39, Code 93, Code 128, CodaBar, EAN 8, EAN 13, ITF 25, ITF 14, UPCA, UPCE	
	2-dimensional codes: QR Code, Data Matrix	
<b>Min. accuracy</b>	3 mil	4 mil
<b>Max. frame rate</b>	50 fps	
<b>Sensor type</b>	CMOS, global shutter	
<b>Pixel size</b>	2.7 $\mu\text{m}$ $\times$ 2.7 $\mu\text{m}$	
<b>Sensor size</b>	1/4"	
<b>Resolution</b>	1280 $\times$ 1024	
<b>Depth of field*</b>	Code 128 (3 mil): 35 mm to 80 mm Code 128 (10 mil): 10 mm to 170 mm Code 39 (5 mil): 15 mm to 100 mm Code 39 (20 mil): 20 mm to 250 mm Data Matrix (10 mil): 5 mm to 115 mm QR Code (20 mil): 20 mil to 190 mm	Code 39 (5 mil): 40 mm to 160 mm Code 128 (10 mil): 10 mm to 400 mm Data Matrix (10 mil): 30 mm to 200 mm QR Code (15 mil): 15 mm to 280 mm QR Code (20 mil): 20 mm to 370 mm
	Field of view: Horizontal 40°, vertical 34°	
<b>Detection angle</b>	Tilt angle $\pm$ 60°, skew angle $\pm$ 60°, rotation angle 360°	
<b>Symbol contrast</b>	20%	
<b>Wireless communication</b>		
<b>Bluetooth</b>	BT 5.0, 2.4 GHz to 2.4835 GHz, BLE	
<b>Wireless range</b>	70 m (open range)	
<b>Communication protocol</b>	Wireless handheld code reader: SmartSDK	
	Smart base: SmartSDK, TCP Client, TCP Server, Serial, FTP, UDP	
<b>Electrical feature</b>		
<b>Data interface</b>	Fast Ethernet, RS-232, DC terminal	
<b>Battery</b>	3150 mAh, chargeable lithium battery	
<b>Charging time</b>	4 h	
<b>Number of scan</b>	29000 times (full charging)	
<b>Power supply</b>	Wireless handheld code reader: 3.8 VDC (battery providing power)	
	Smart base: 12 VDC to 24 VDC	
<b>Max. power consumption</b>	Wireless handheld code reader: 0.8 W@3.8 VDC, working mode: 1.6 W@3.8 VDC, sleep mode: 0.6 W@3.8 VDC	
	Smart base: 6.6 W@12 VDC	
<b>Mechanical</b>		
<b>Focal length</b>	4.7 mm	
<b>Lens mount</b>	M5.8-mount	
<b>Ambient illumination</b>	0 lux to 100000 lux	
<b>Light source</b>	Red LED	
<b>Aiming system</b>	Cross laser aiming	
<b>Prompt</b>	LED indicator, buzzer, vibrator	
<b>Dimension</b>	Wireless handheld code reader: 74.4 mm $\times$ 86.6 mm $\times$ 179.5 mm (2.9" $\times$ 3.4" $\times$ 7.1")	
	Smart base: 100.9 mm $\times$ 131.8 mm $\times$ 83.6 mm (4.0" $\times$ 5.2" $\times$ 3.3")	

## Specification

<b>Weight</b>	Wireless handheld code reader: Approx. 230 g (0.5 lb.) Smart base: Approx. 180 g (0.4 lb.)
<b>Ingress protection</b>	IP42
<b>Temperature</b>	Working temperature: -20 °C to 50 °C (-4 °F to 122 °F), storage temperature: -30 °C to 60 °C (-22 °F to 140 °F), charging temperature: 0 °C to 45 °C (32 °F to 113 °F)
<b>Humidity</b>	20% to 80% RH, non-condensing
<b>Drop height</b>	1.5 m (59.1"), 50 times
<b>General</b>	
<b>Client software</b>	IDMVS
<b>Certification</b>	CE, KC

\*Test condition: Environment temperature=25 °C (77 °F), ambient illumination=250 lux filament lamp, Hikrobot's test symbologies are used.

## Specification

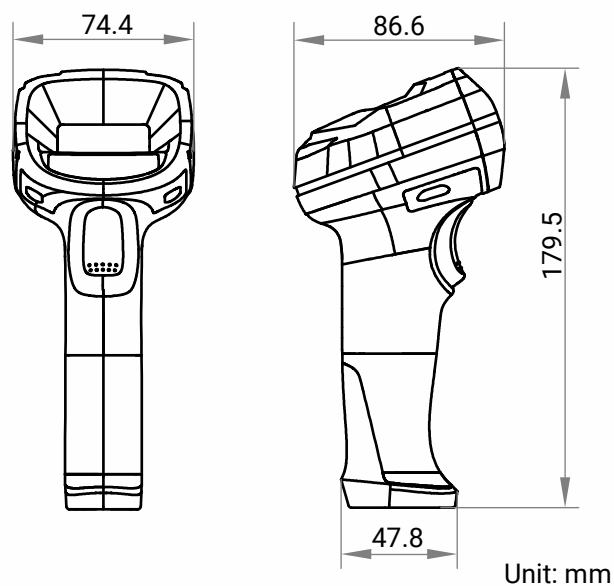
Model	MV-IDH3013B-05N-R1U	MV-IDH3013B-05S-R1U
<b>Performance</b>		
<b>Symbologies</b>	1-dimensional codes: Code 39, Code 93, Code 128, CodaBar, EAN 8, EAN 13, ITF 25, ITF 14, UPCA, UPCE 2-dimensional codes: QR Code, Data Matrix	
<b>Min. accuracy</b>	3 mil	4 mil
<b>Max. frame rate</b>	50 fps	
<b>Sensor type</b>	CMOS, global shutter	
<b>Pixel size</b>	2.7 µm × 2.7 µm	
<b>Sensor size</b>	1/4"	
<b>Resolution</b>	1280 × 1024	
<b>Depth of field*</b>	Code 128 (3 mil): 35 mm to 80 mm Code 128 (10 mil): 10 mm to 170 mm Code 39 (5 mil): 15 mm to 100 mm Code 39 (20 mil): 20 mm to 250 mm Data Matrix (10 mil): 5 mm to 115 mm QR Code (20 mil): 20 mil to 190 mm	Code 39 (5 mil): 40 mm to 160 mm Code 128 (10 mil): 10 mm to 400 mm Data Matrix (10 mil): 30 mm to 200 mm QR Code (15 mil): 15 mm to 280 mm QR Code (20 mil): 20 mm to 370 mm
<b>Field of view</b>	Horizontal 40°, vertical 34°	
<b>Detection angle</b>	Tilt angle ± 60°, skew angle ± 60°, rotation angle 360°	
<b>Symbol contrast</b>	20%	
<b>Wireless communication</b>		
<b>Bluetooth</b>	BT 5.0, 2.4 GHz to 2.4835 GHz, BLE	
<b>Wireless range</b>	70 m (open range)	
<b>Communication protocol</b>	Wireless handheld code reader: USB (HID) Smart base: SmartSDK, USB (HID/CDC)	
<b>Electrical feature</b>		
<b>Data interface</b>	USB2.0, DC terminal	
<b>Battery</b>	3150 mAh, chargeable lithium battery	
<b>Charging time</b>	8.5 h (USB)	
<b>Number of scan</b>	29000 times (full charging)	
<b>Power supply</b>	Wireless handheld code reader: 3.8 VDC (battery providing power) Smart base: 5 VDC (USB), 12 VDC to 24 VDC (DC terminal)	

## Specification

<b>Max. power consumption</b>	Wireless handheld code reader: 0.8 W@3.8 VDC, working mode: 1.6 W@3.8 VDC, sleep mode: 0.6 W@3.8 VDC Smart base: 4.5 W@5 VDC (USB), 6.6 W@12 VDC (DC terminal)
<b>Mechanical</b>	
<b>Focal length</b>	4.7 mm
<b>Lens mount</b>	M5.8-mount
<b>Ambient illumination</b>	0 lux to 100000 lux
<b>Light source</b>	Red LED
<b>Aiming system</b>	Cross laser aiming
<b>Prompt</b>	LED indicator, buzzer, vibrator
<b>Dimension</b>	Wireless handheld code reader: 74.4 mm × 86.6 mm × 179.5 mm (2.9" × 3.4" × 7.1") Smart base: 100.9 mm × 131.8 mm × 83.6 mm (4.0" × 5.2" × 3.3")
<b>Weight</b>	Wireless handheld code reader: Approx. 230 g (0.5 lb.) Smart base: Approx. 180 g (0.4 lb.)
<b>Ingress protection</b>	IP42
<b>Temperature</b>	Working temperature: -20 °C to 50 °C (-4 °F to 122 °F), storage temperature: -30 °C to 60 °C (-22 °F to 140 °F), charging temperature: 0 °C to 45 °C (32 °F to 113 °F)
<b>Humidity</b>	20% to 80% RH, non-condensing
<b>Drop height</b>	1.5 m (59.1"), 50 times
<b>General</b>	
<b>Client software</b>	IDMVS
<b>Certification</b>	CE, KC
*Test condition: Environment temperature=25 °C (77 °F), ambient illumination=250 lux filament lamp, Hikrobot's test symbolologies are used.	

## Dimension

Wireless Handheld Code Reader:



Smart Base:

