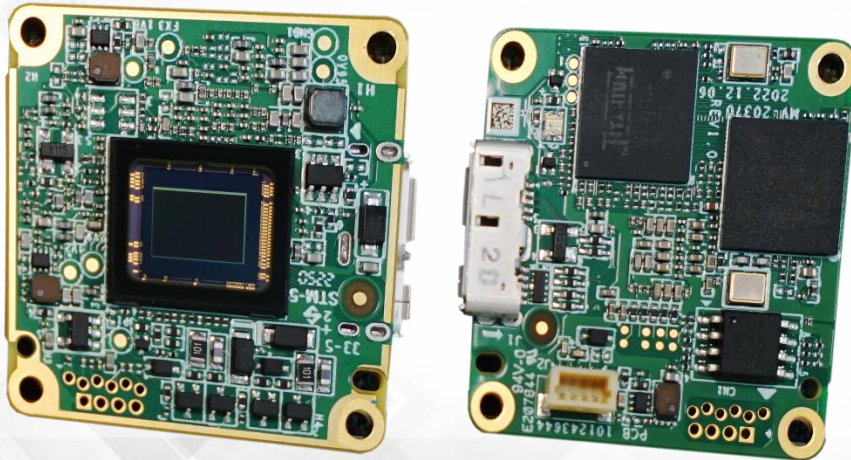


# MV-CB060-10UM/UC

## 6 MP 1/1.8" CMOS USB3.0 Board Level Camera



GEN*i*CAM

USB<sup>TM</sup>  
VISION

### Introduction

MV-CB060-10UM/UC adopts Sony® IMX178 sensor to provide high-quality images. It uses USB3.0 interface to transmit images in real time, and its max. frame rate reaches 60.9 fps in full resolution. It is small in size and can meet different spatial requirements.

### Key Feature

- Compact design for flexible installation.
- Supports auto or manual adjustment of gain, exposure time, and white balance, and manual adjustment of Gamma correction, LUT, etc.
- Supports HDR function with different exposure time and gain.
- Supports hardware trigger, software trigger, free run, etc.
- Compatible with USB3 Vision Protocol, GenICam standard, and the third-party software based on these protocol and standard.

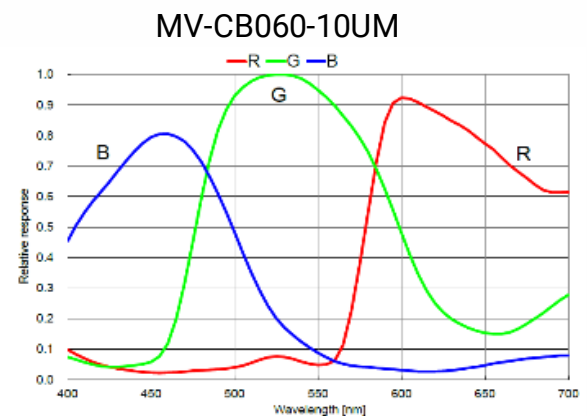
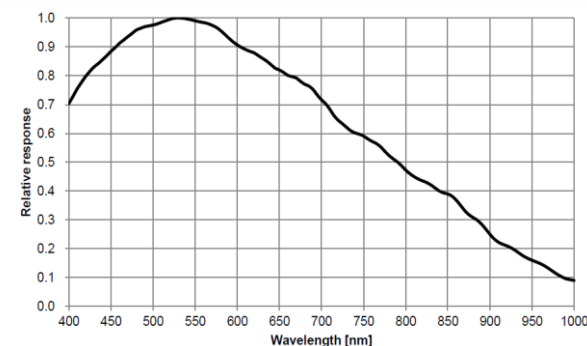
### Available Model

- Single board mono camera: MV-CB060-10UM-B
- Single board color camera: MV-CB060-10UC-B
- C-mount mono camera: MV-CB060-10UM-C
- C-mount color camera: MV-CB060-10UC-C
- M12-mount mono camera: MV-CB060-10UM-S
- M12-mount color camera: MV-CB060-10UC-S

### Applicable Industry

Electronic semiconductor, factory automation, logistics, liquor and beverage, medicine packing, etc.

### Sensor Quantum Efficiency

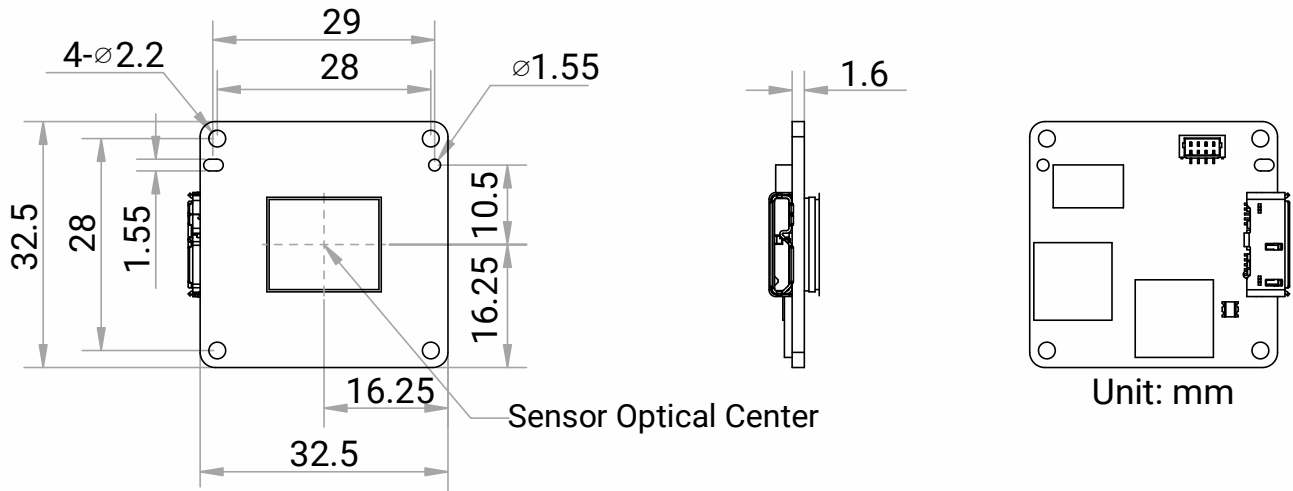


# Specification

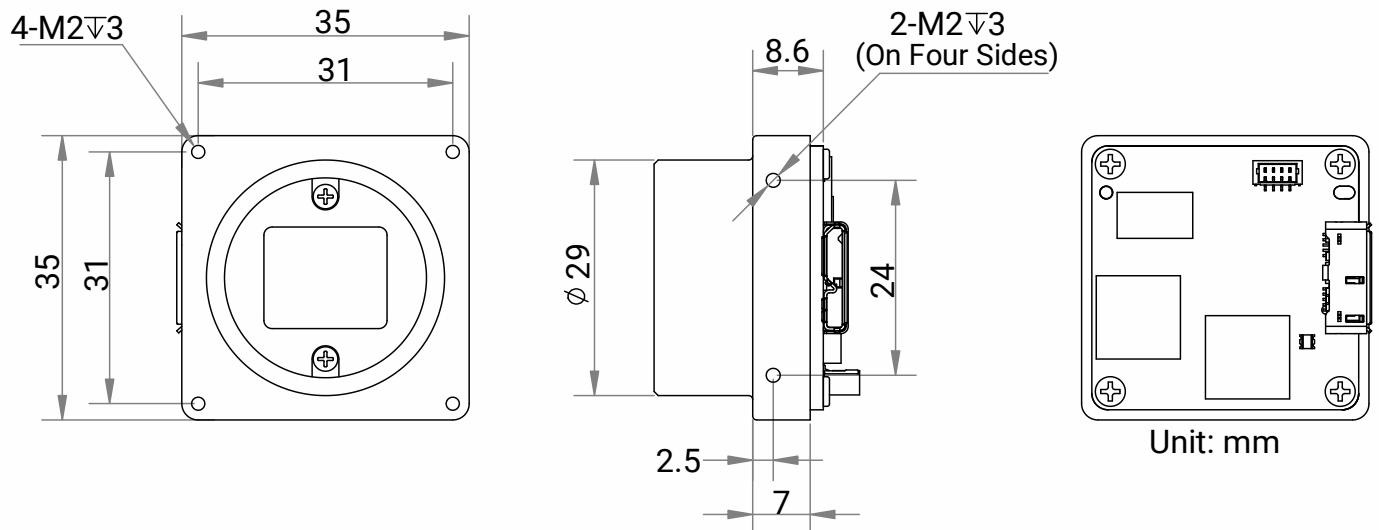
Model	MV-CB060-10UM	MV-CB060-10UC
<b>Performance</b>		
Sensor type	CMOS, rolling shutter	
Sensor model	Sony <sup>®</sup> IMX178	
Pixel size	2.4 μm × 2.4 μm	
Sensor size	1/1.8"	
Resolution	3072 × 2048	
Max. frame rate	60.9 fps @3072 × 2048 Mono 8	60.9 fps @3072 × 2048 Bayer RG 8
Dynamic range	66 dB	
SNR	41.5 dB	
Gain	0 dB to 24 dB	
Exposure time	8 μs to 1 sec	
Exposure mode	Off/ Once/ Continuous exposure mode, supports Global Reset and Trigger Rolling	
Mono/color	Mono	Color
Pixel format	Mono 8/10/10Packed/12/12Packed	Mono 8/10/12, Bayer RG 8/10/10Packed/12/12Packed, YUV422Packed, YUV422_YUYV_Packed, RGB 8, BGR 8
Binning	Supports 1 × 1, 2 × 2	
Decimation	Supports 1 × 1, 2 × 2, 4 × 4	
Reverse image	Supports horizontal and vertical reverse image output	
<b>Electrical feature</b>		
Data interface	USB3.0	
Digital I/O	Bi-directional non-isolated I/O × 2 (Line 2, Line 5)	
Power supply	USB3.0 power supply	
Power consumption	Typ. 1.5 W@5 VDC	Typ. 1.8 W@5 VDC
<b>Mechanical</b>		
Lens mount	Single board camera: None C-mount camera: C-mount M12-mount camera: M12-mount	
Dimension	Single board camera: 32.5 mm × 32.5 mm × 1.6 mm (1.3" × 1.3" × 0.1") C-mount camera: 35 mm × 35 mm × 8.6 mm (1.4" × 1.4" × 0.3") M12-mount camera: 35 mm × 35 mm × 8.6 mm (1.4" × 1.4" × 0.3")	
Weight	Single board camera: Approx. 10 g (0.02 lb.) C-mount camera: Approx. 30 g (0.07 lb.) M12-mount camera: Approx. 43.5 g (0.1 lb.)	
Temperature	Working temperature: 0 °C to 50 °C (32 °F to 122 °F) Storage temperature: -30 °C to 70 °C (-22 °F to 158 °F)	
Humidity	20% to 80% RH, non-condensing	
<b>General</b>		
Client software	MVS or third-party software with USB3 Vision Protocol	
Operating system	32/64-bit Windows XP/7/10, 32/64-bit Linux and 64-bit MacOS	
Compatibility	USB3 Vision, GenICam	
Certification	CE, RoHS, KC	

## Dimension

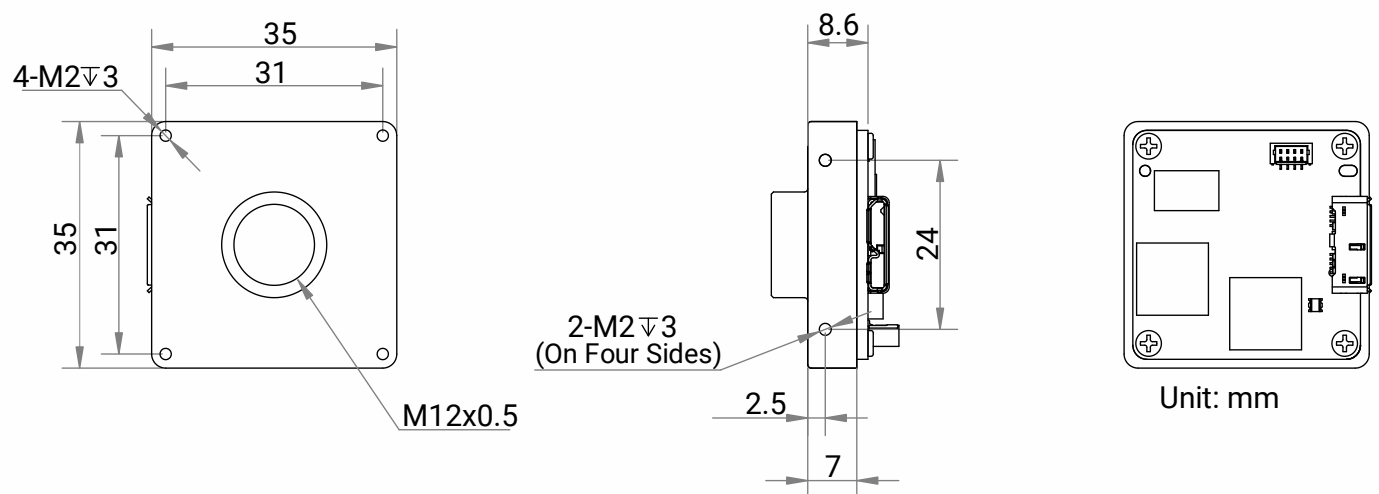
Single board camera:



C-mount camera:



M12-mount camera:



**HIKROBOT**

Hangzhou Hikrobot Co., Ltd.  
en.hikrobotics.com