

MV-CA013-A0UM/UC

1.3 MP 1/2" CMOS USB3.0 Area Scan Camera



GEN*i*CAM

US*3*
VISION

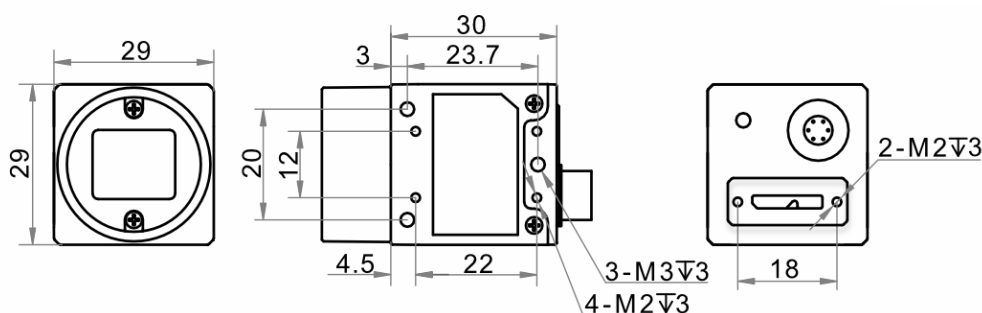
Introduction

MV-CA013-A0UM/UC camera provides high-quality images. It uses USB3.0 interface to transmit images in real time, and its max. frame rate can reach 201 fps in full resolution.

Key Feature

- Supports auto or manual adjustment of gain, exposure time, and manual adjustment of LUT, Gamma correction, etc.
- Supports customized ROI, horizontal and vertical reverse image output.
- Adopts compact design for flexible installation.
- Compatible with USB3 Vision Protocol, GenICam Standard, and third-party software based on the protocol and standard.

Dimension



Unit: mm

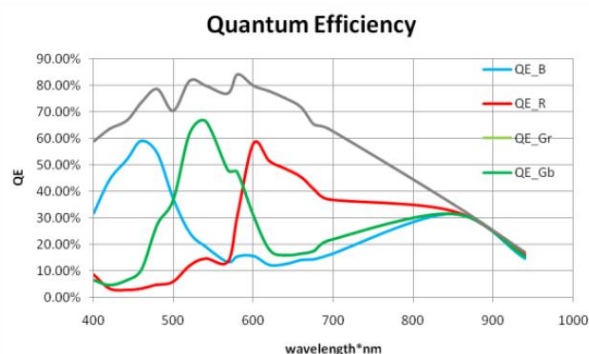
Available Model

- Mono camera: MV-CA013-A0UM
- Color camera: MV-CA013-A0UC

Applicable Industry

Electronic semiconductor, factory automation, liquor and beverage, medicine packing, etc.

Sensor Quantum Efficiency



Specification

Model	MV-CA013-A0UM	MV-CA013-A0UC
Camera		
Sensor type	CMOS, global shutter	
Pixel size	4.8 μm \times 4.8 μm	
Sensor size	1/2"	
Resolution	1280 \times 1024	
Max. frame rate	201 fps @1280 \times 1024	
Dynamic range	53 dB	
SNR	40 dB	
Gain	0 dB to 16 dB	
Exposure time	9 μs to 10 sec	
Exposure mode	Off/Once/Continuous exposure mode	
Mono/color	Mono	Color
Pixel format	Mono 8/10/10Packed/12/12Packed	Mono 8/10/12, Bayer GB 8/10/10Packed /12/1210Packed, YUV422Packed, YUV422_YUYV_Packed, RGB 8, BGR 8
Binning	Supports 1 \times 1, 2 \times 2, 4 \times 4	
Decimation	Supports 1 \times 1, 2 \times 2, 4 \times 4	
Reverse image	Supports horizontal and vertical reverse image output	
Electrical features		
Data interface	USB3.0, compatible with USB2.0	
Digital I/O	6-pin P7 connector provides power and I/O, including opto-isolated input \times 1 (Line 0), opto-isolated output \times 1 (Line 1), and bi-directional non-isolated I/O \times 1 (Line 2)	
Power supply	9 VDC to 24 VDC, supports USB3.0 power supply	
Power consumption	Typ. 2.4 W@5 VDC (USB3.0 provides power supply)	Typ. 2.7 W@5 VDC (USB3.0 provides power supply)
Mechanical		
Lens mount	C-Mount	
Dimension	29 mm \times 29 mm \times 30 mm (1.1" \times 1.1" \times 1.2")	
Weight	Approx. 80 g (0.18 lb.)	
Ingress protection	IP30 (under proper lens installation and wiring)	
Temperature	Working temperature: 0 $^{\circ}\text{C}$ to 50 $^{\circ}\text{C}$ (32 $^{\circ}\text{F}$ to 122 $^{\circ}\text{F}$) Storage temperature: -30 $^{\circ}\text{C}$ to 70 $^{\circ}\text{C}$ (-22 $^{\circ}\text{F}$ to 158 $^{\circ}\text{F}$)	
Humidity	20% to 95% RH, non-condensing	
General		
Client software	MVS or third-party software meeting with USB3 Vision Protocol	
Operating system	32/64-bit Windows XP/7/10, 32/64-bit Linux and 64-bit MacOS	
Compatibility	USB3 Vision, GenICam	
Certification	CE, RoHS, KC	



Hangzhou Hikrobot Co., Ltd.
 en.hikrobotics.com