

MV-CS200-RM/RC

20 MP 1" CMOS USB3.0 Area Scan Camera



GEN*i*CAM

USBTM
VISION

Introduction

MV-CS200-RM/RC camera adopts Sony® IMX183 sensor to provide high-quality images. It uses USB3.0 interface to transmit non-compressed images in real time, and its max. frame rate can reach 19.2 fps in full resolution.

Key Feature

- Adopts brand new design to reduce power consumption.
- Compact design with mounting holes on panels for flexible mounting from 4 sides.
- Provides high sensitivity, wide dynamic range, and low noise.
- Compatible with USB3 Vision Protocol, GenCam Standard, and the third-party software based on the protocol and standard.

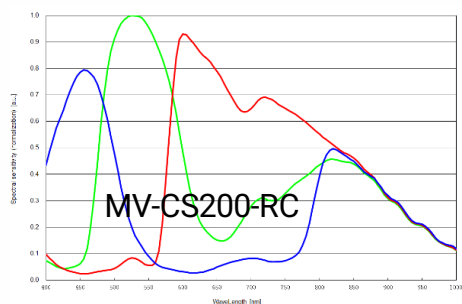
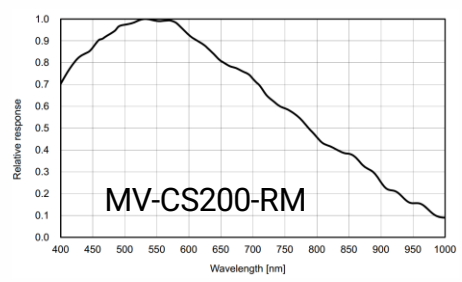
Available Model

- Mono camera: MV-CS200-RM
- Color camera: MV-CS200-RC

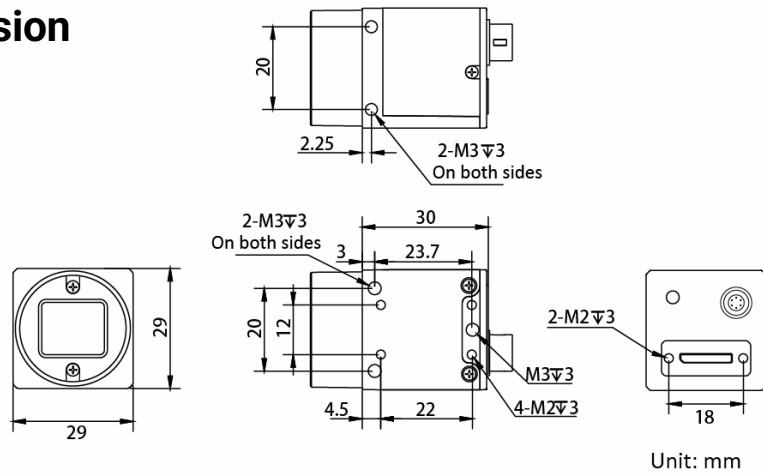
Applicable Industry

Electronic semiconductor, factory automation, medical packaging, etc.

Sensor Quantum Efficiency



Dimension



Specification

Model	MV-CS200-RM	MV-CS200-RC
Camera		
Sensor type	CMOS, rolling shutter	
Sensor model	Sony® IMX183	
Pixel size	2.4 μm × 2.4 μm	
Sensor size	1"	
Resolution	5472 × 3648	
Max. frame rate	19.2 fps @5472 × 3648 Mono 8	19.2 fps @5472 × 3648 Bayer GB 8
Dynamic range	65.5 dB	
SNR	41.5 dB	
Gain	0 dB to 24 dB	
Exposure time	44 μs to 0.83 sec	
Exposure mode	Off/Once/Continuous exposure mode, supports Global Reset and Rolling	
Mono/color	Mono	Color
Pixel format	Mono 8/10/10Packed/12/12Packed	Mono 8/10/12, Bayer GB 8/10/10Packed /12/12Packed , YUV422_YUYV_Packed, YUV 422 Packed, RGB 8, BGR 8
Binning	Supports 1 × 1, 2 × 2, 4 × 4	
Decimation	Supports 1 × 1, 2 × 2, 4 × 4	
Reverse image	Supports horizontal and vertical reverse image output	
Electrical feature		
Data interface	USB3.0, compatible with USB2.0	
Digital I/O	6-pin P7 connector provides power and I/O, including opto-isolated input × 1 (Line 0), opto-isolated output × 1 (Line 1), bi-directional non-isolated I/O × 1 (Line 2)	
Power supply	9 VDC to 24 VDC, supports USB3.0 power supply	
Power consumption	Typ. 2.3 W @5 VDC (USB3.0 provides power supply)	
Mechanical		
Lens mount	C-Mount	
Dimension	29 mm × 29 mm × 30 mm (1.1" × 1.1" × 1.2")	
Weight	Approx. 80 g (0.18 lb.)	
Ingress protection	IP40 (under proper lens installation and wiring)	
Temperature	Working temperature: -30 °C to 60 °C (-22 °F to 140 °F) Storage temperature: -30 °C to 70 °C (-22 °F to 158 °F)	
Humidity	20% to 95% RH, non-condensing	
General		
Client software	MVS or third-party software meeting with USB3.0 Vision Protocol	
Operating system	32/64-bit Windows XP/7/10, 32/64-bit Linux and 64-bit MacOS	
Compatibility	USB3 Vision, GenICam	
Certification	CE, FCC, RoHS, KC	



Hangzhou Hikrobot Co., Ltd.
 en.hikrobotics.com

© Hangzhou Hikrobot Co., Ltd. All Rights Reserved.

Hangzhou Hikrobot does not tolerate any infringement. Any organization or individual may not imitate or reproduce in whole or in part of the content. The data herein is based on Hikrobot's internal evaluation. Actual data may vary depending on specific configuration and operating condition. The information herein is subject to change without notice. All the content has been checked conscientiously. Nevertheless, Hikrobot shall not be liable to damages resulting from errors, inconsistencies or omissions.