

## WEIGH CELL EC-ES-FS

The series EC-ES-FS Weigh Cells cover the weighing range up to 7,500 g. They have been specifically designed as compact sensor components, which are suited for installation into Checkweigher. By using GMP-tailored design, all Weigh Cells are especially suitable for Wash Down applications.

The large additive dead load range favors the mounting of conveyor belts or weighing platforms without limiting the weighing range.

Detailed specification you can find under [EC-ES-FS](#).

## TO BE USED IN

- ▲ Checkweighers
- ▲ Wash Down applications
- ▲ Special machine manufacturing
- ▲ In-Process-Control applications

## WEIGHING CONVEYOR, HIGH-PRECISION BALANCED

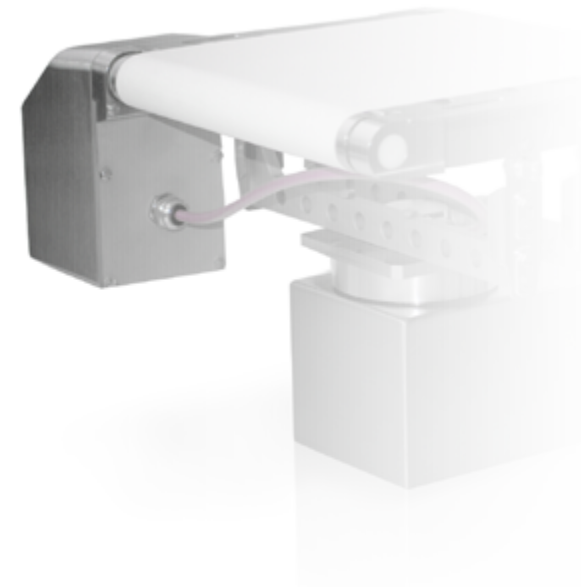
Belt width (C)	Conveyor length (B)
150 mm	250 mm   300 mm   400 mm
250 mm	250 mm*   300 mm   400 mm
350 mm	250 mm*   300 mm*   400 mm

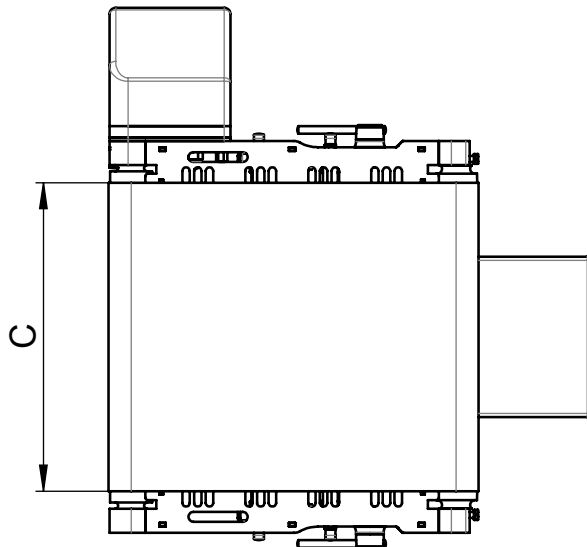
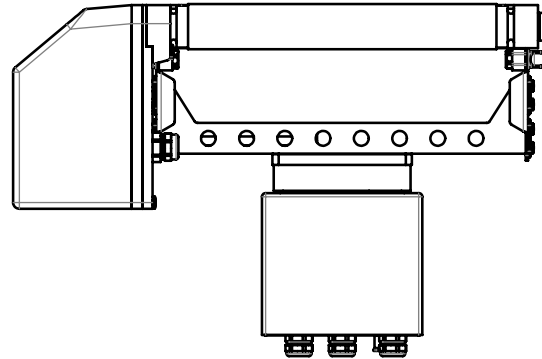
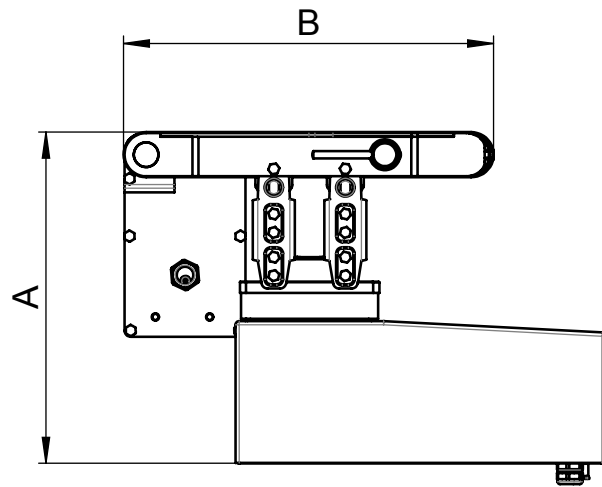
\* only available with round belts

## INFEEED- AND OUTFEED CONVEYOR

Belt width	Conveyor length
150 mm	250 mm   300 mm   400 mm
250 mm	250 mm*   300 mm   400 mm
350 mm	250 mm*   300 mm*   400 mm

\* only available with round belts





A = 268 mm

B = 250 - 400 mm

C = 150 - 350 mm

### Headquarters

Wipotec GmbH  
Adam-Hoffmann-Str. 26  
67657 Kaiserslautern, Germany  
T +49.631.34146-0  
F +49.631.34146-8690  
info@wipotec.com  
www.wipotec.com

### Italy

Wipotec Italia s.r.l.  
Via Antonio Gramsci, 18  
20016 Pero (MI), Italy  
T +39.02.73952424  
F +39.02.45508075  
info@wipotec.it  
www.wipotec.it

### USA

Wipotec North America  
700 Old Roswell Lakes Parkway,  
Suite 200  
Roswell, Georgia 30076, USA  
T +1.770.971.5414  
F +1.770.509.5524  
info.usa@wipotec.com  
www.wipotec.com

# WIPOTEC

WEIGHING TECHNOLOGY