

WEIGH CELL EC-FS

The series EC-FS Weigh Cells cover the weighing range up to 15 kg. They have been specifically designed as compact sensor components, meaning they are especially suited for installation into checkweighers, price labelling and Lift-up systems, filling and packaging machines, parcel and letter sorting systems. The large additive dead load range favours the mounting of conveyor belts or weighing platforms without limiting the weighing range.

Detailed specification you can find under [EC-FS](#).

TO BE USED IN

- ▲ Filling and packaging machines
- ▲ Lift-up systems (for cup filling machines, convenience food filling machines, etc.)
- ▲ Checkweighers (for different branches like food, pharmaceuticals, chemical and cosmetics)
- ▲ Parcel and letter sorting systems

WEIGHING CONVEYOR, HIGH-PRECISION BALANCED

Belt width (C)	Conveyor length (B)
120 mm	250 mm 300 mm 400 mm
150 mm	250 mm 300 mm 400 mm
200 mm	250 mm 300 mm 400 mm
300 mm	250 mm* 300 mm* 400 mm

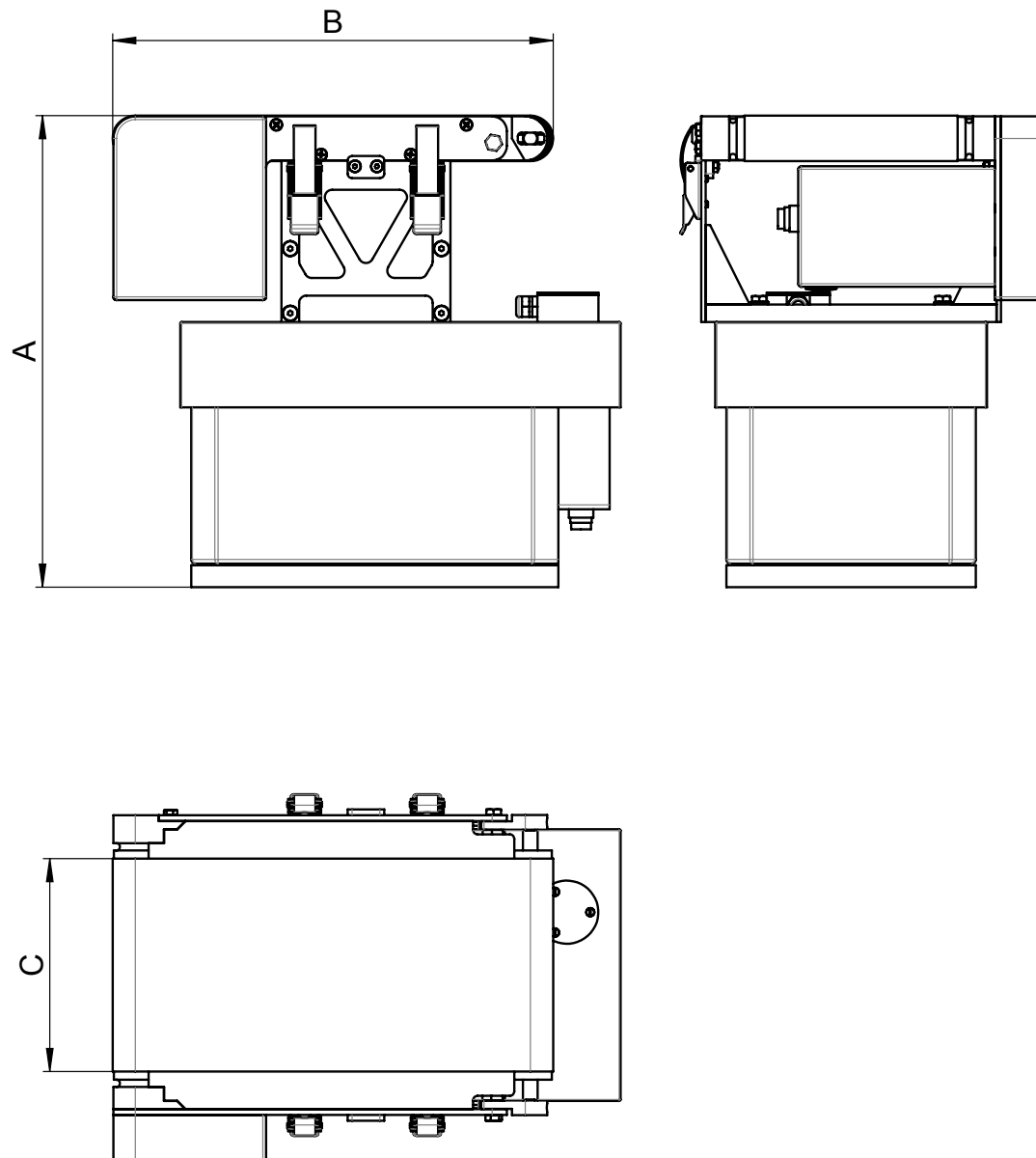
* only available with round belts

INFEED- AND OUTFEED CONVEYOR

Belt width	Conveyor length
120 mm	250 mm 300 mm 400 mm 500 mm
150 mm	250 mm 300 mm 400 mm 500 mm
200 mm	250 mm 300 mm 400 mm 500 mm
300 mm	250 mm* 300 mm* 400 mm 500 mm

* only available with round belts





A = 321 mm

B = 250 - 400 mm

C = 120 - 300 mm

Headquarters

Wipotec GmbH
 Adam-Hoffmann-Str. 26
 67657 Kaiserslautern, Germany
 T +49.631.34146-0
 F +49.631.34146-8690
 info@wipotec.com
 www.wipotec.com

Italy

Wipotec Italia s.r.l.
 Via Antonio Gramsci, 18
 20016 Pero (MI), Italy
 T +39.02.73952424
 F +39.02.45508075
 info@wipotec.it
 www.wipotec.it

USA

Wipotec North America
 700 Old Roswell Lakes Parkway,
 Suite 200
 Roswell, Georgia 30076, USA
 T +1.770.971.5414
 F +1.770.509.5524
 info.usa@wipotec.com
 www.wipotec.com