

# MV-SC3030XC

## 3 MP Color Vision Sensor



### Introduction

With built-in high-precision vision algorithms, MV-SC3030XC vision sensor can realize counting, existence, measurement, recognition and other functions. It can be easily configured and operated via the SCMVS client software, and it uses RS-232 and Ethernet to output vision tool results and customized results.

### Applicable Industry

Consumer electronics, food and pharmaceutical, automobile, etc.

### Available Model

- 8 mm focal length: MV-SC3030XC-08M-WBN
- 12 mm focal length: MV-SC3030XC-12M-WBN
- 16 mm focal length: MV-SC3030XC-16M-WBN

### Key Feature

- Adopts embedded hardware platform to realize high-speed image processing.

- Built-in high-precision positioning, measurement and recognition algorithms for counting, defects, existence, positioning and other functions.
- Supports RS-232, TCP, UDP, FTP, ModBus, PROFINET, EtherNet/IP and other communication modes.
- Adopts multiple IO interfaces for input and output signals.
- Supports viewing the device's status in real time via 360° visual indicator, convenient for debugging and maintenance.
- Rotatable cable tail design, suitable for narrow space.
- Adopts polarized, diffused, and full-transparent multiple optical lighting with good environmental adaptability.
- IP67 protection without fear of harsh industrial application environments.

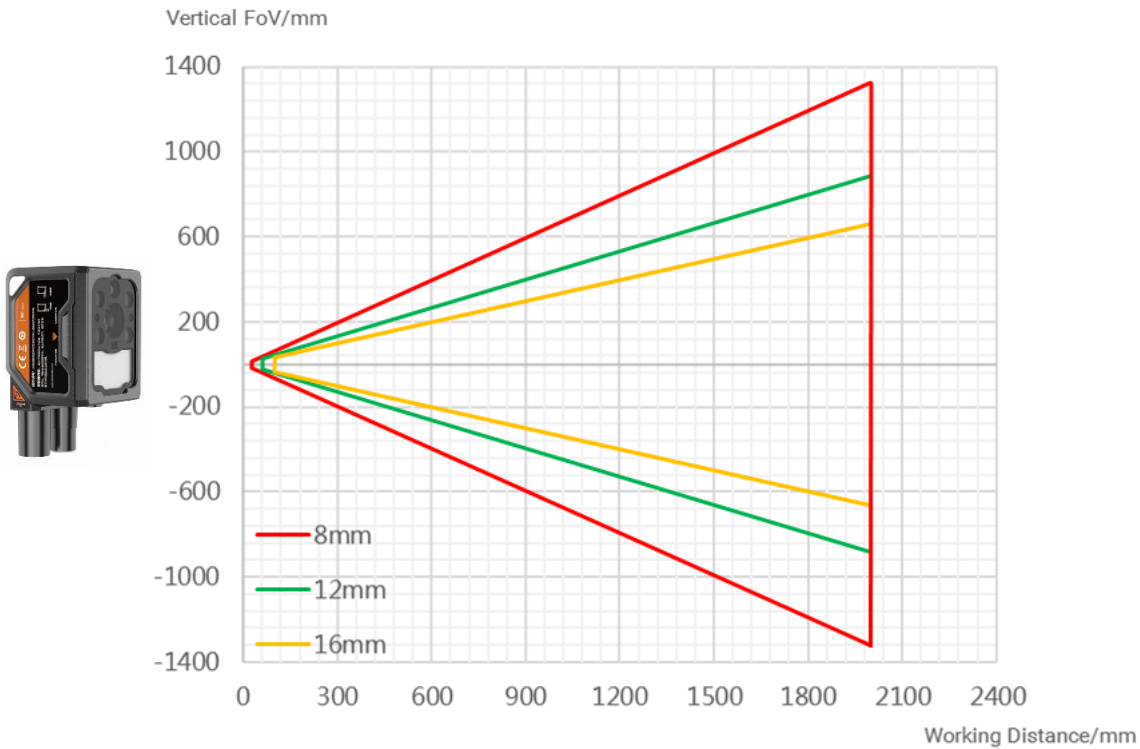
## Specification

Model	MV-SC3030XC-08M-WBN	MV-SC3030XC-12M-WBN	MV-SC3030XC-16M-WBN
<b>Tool</b>			
<b>Vision tool</b>	<ul style="list-style-type: none"> <li>● Count: Spot count, edge count, pattern count, contour count, color count</li> <li>● Defect detection: Exception detection</li> <li>● Existence: Circle existence, line existence, spot existence, edge existence, pattern existence, contour existence</li> <li>● Location: Match calibration, match location, position fixture</li> <li>● Logic tool: If module, condition judge, logic judge, combination judge, string comparison, calculator</li> <li>● Measurement: Color size, L2L angle, diameter measurement, brightness analysis, contrast measurement, width measurement, P2L measurement, greyscale size, line angle, edge width measurement</li> <li>● Recognition: OCR, code recognition, color contrast, color recognition, classification registration, object detection registration</li> <li>● Deep learning: DL object detection, DL classification</li> </ul>		
<b>Solution capacity</b>	Supports importing and exporting project, up to 32 projects can be stored.		
<b>Communication protocol</b>	RS-232, TCP, UDP, FTP, PROFINET, ModBus, EtherNet/IP, MELSEC/SLMP, FINS, Keyence KV		
<b>Camera</b>			
<b>Sensor type</b>	CMOS, global shutter		
<b>Pixel size</b>	3.45 μm × 3.45 μm		
<b>Sensor size</b>	1/1.8"		
<b>Resolution</b>	2048 × 1536		
<b>Max. frame rate</b>	40 fps		
<b>Dynamic range</b>	77.8 dB		
<b>SNR</b>	43 dB		
<b>Gain</b>	0 dB to 15 dB		
<b>Exposure time</b>	6 μs to 1 sec		
<b>Pixel format</b>	RGB 8, Mono 8		
<b>Mono/color</b>	Color		
<b>Electrical feature</b>			
<b>Data interface</b>	Fast Ethernet (100 Mbit/s)		
<b>Digital I/O</b>	12-pin M12 connector provides power and I/O, including opto-isolated input (LINE 0/1/2) × 3, opto-isolated output (LINE 3/4/5) × 3, and RS-232 × 1 Supports triggering device via pressing top trigger button		
<b>Power supply</b>	24 VDC		
<b>Power consumption</b>	Approx. 6.5 W@24 VDC		
<b>Mechanical</b>			
<b>Lens mount</b>	M12-mount, mechanical autofocus supported		
<b>Focal length</b>	8 mm (0.3")	12 mm (0.5")	16 mm (0.6")
<b>Lens cap</b>	Polarized + diffused + full-transparent lens cap		
<b>Light source</b>	White spot light source. Red/blue/IR point light source is optional		
<b>Aiming system</b>	Orange LED		
<b>Indicator</b>	360° visual indicator		
<b>Dimension</b>	Straight angle: 80.1 mm × 43 mm × 44.3 mm (3.2" × 1.7" × 1.7") Right angle: 58.5 mm × 43 mm × 65.4 mm (2.3" × 1.7" × 2.6")		
<b>Weight</b>	Approx. 190 g (0.4 lb.)		

Model	MV-SC3030XC-08M-WBN	MV-SC3030XC-12M-WBN	MV-SC3030XC-16M-WBN
Ingress protection	IP67 (under proper installation of waterproof lens cap)		
Temperature	Working temperature: 0 °C to 50 °C (32 °F to 122 °F) Storage temperature: -30 °C to 70 °C (-22 °F to 158 °F)		
Humidity	20% to 95% RH, non-condensing		
General			
Client software	SCMVS		
Certification	CE, KC		

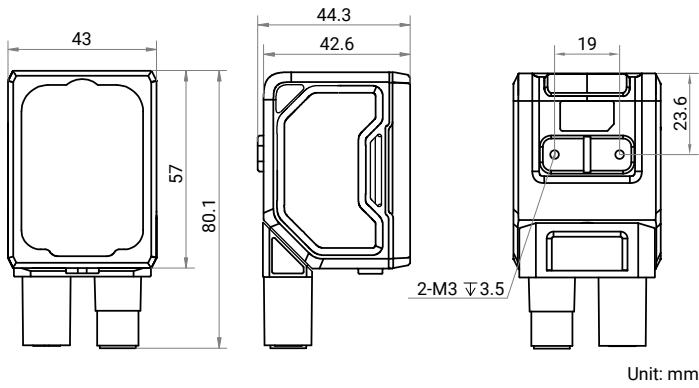
## Detection Range

Lens focal length	Installation distance	Field of View	Single Pixel Accuracy
8 mm	25 mm	22.08 mm × 16.56 mm	0.011 mm
	2000 mm	1766.40 mm × 1324.80 mm	0.863 mm
12 mm	60 mm	35.33 mm × 26.50 mm	0.017 mm
	2000 mm	1177.60 mm × 883.20 mm	0.575 mm
16 mm	100 mm	44.16 mm × 33.12 mm	0.022 mm
	2000 mm	883.20 mm × 662.40 mm	0.431 mm

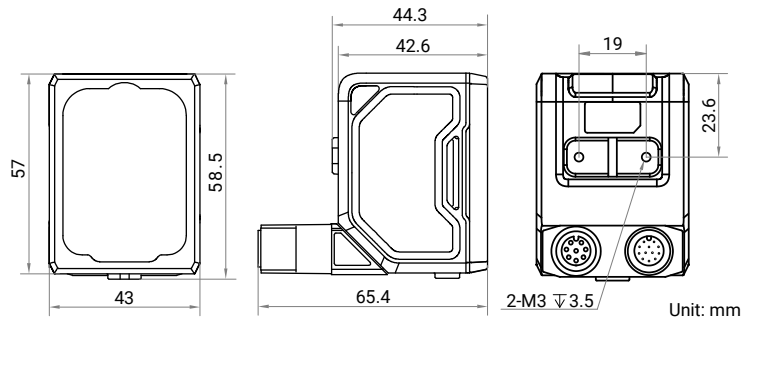


**Dimension**

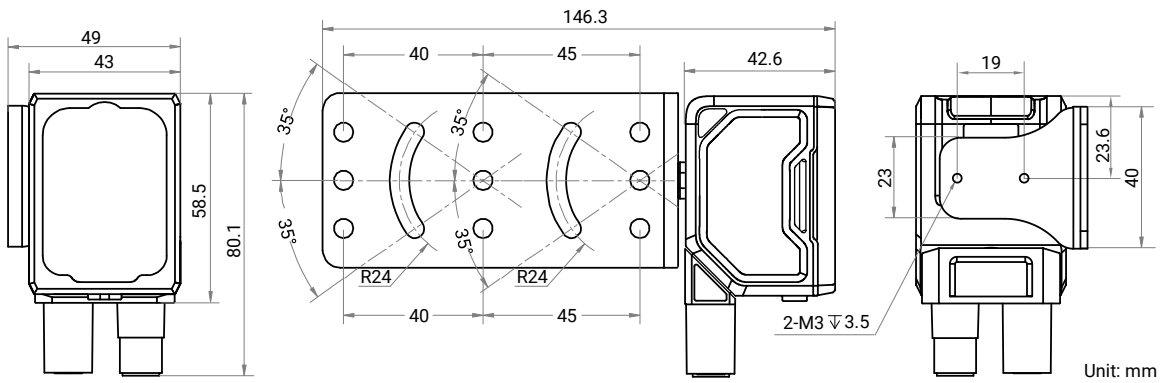
Device (Straight Angle):



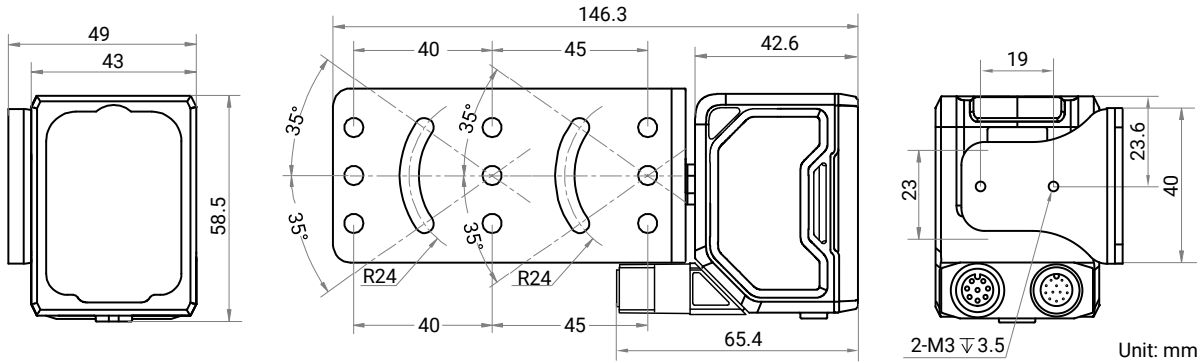
Device (Right Angle):



Device and Installation Bracket (Straight Angle):



Device and Installation Bracket (Right Angle):



Installation Bracket:

