

MR-Q3-600LE-DI(CE)

Latent Mobile Robot



Key Feature

- Self-localization navigation: adopts inertial, 2D barcode, laser and visual SLAM navigation methods to achieve accurate positioning.
- Supports smooth motions like forward, backward, and rotation via dual-wheel differential drive.
- Smart power management: supports multi-level electrical threshold, auto-charge, and self-returning after charging completed.
- Multi-safety protection includes front laser obstacle avoidance, side ultrasonic obstacle avoidance, pneumatic bumper strip detection, emergency stop button, etc.
- Human-machine interaction: indicates the device status via touch screen, sound and indicators.
- Supports carrying, rotating, lifting and lowering goods up to 600 kg (1322.77 lb.).
- Wireless communication: supports Wi-Fi and seamless roaming in a network covered area.
- Complies with CE certification and ISO3691-4:2020 safety standard.

Typical Application

Automobile, consumer electronic, manufacturing, logistics, food, medicine, etc.

Available Model

MR-Q3-600LE-DI(CE)

MR-Q3-600CE-DI(CE)

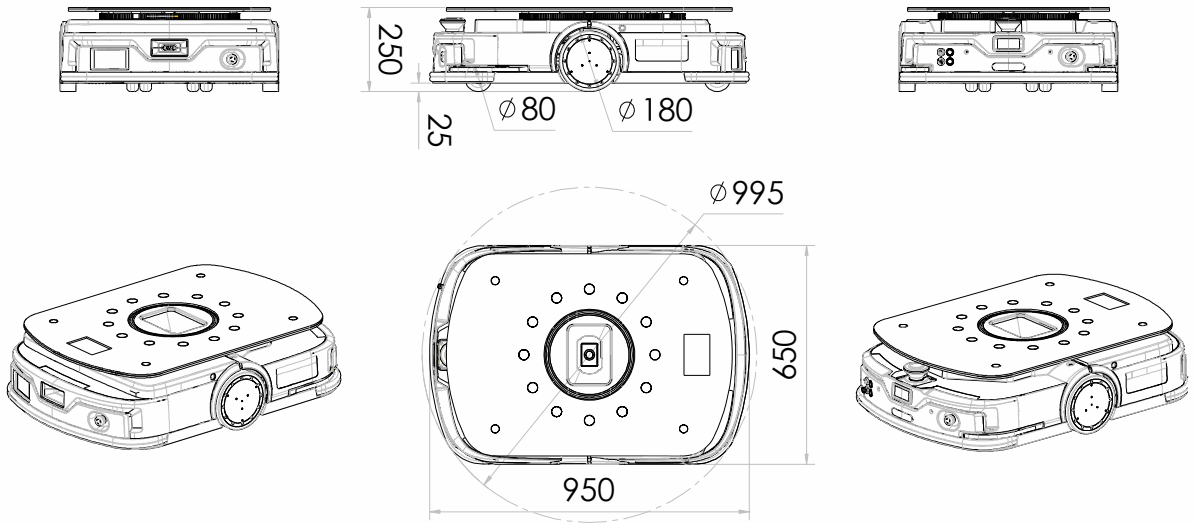
MR-Q3-600VE-DI(CE)

Accessory

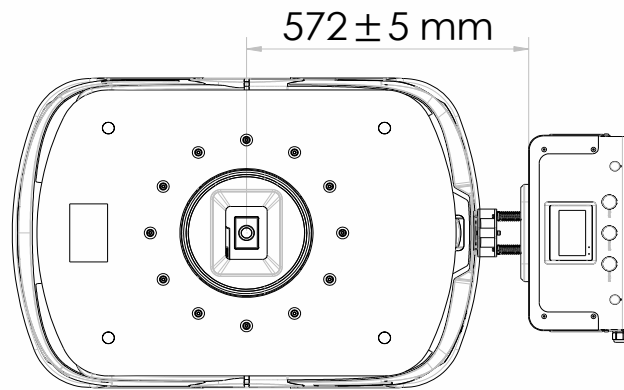
Charging station model: MR-RA-CH-48/30B-CI(CE)



Appearance



Charge Station Deployment



Specification

Model		MR-Q3-600LE-DI(CE)	
Basic Parameter			
Dimension (L × W × H)		950 mm × 650 mm × 250 mm (37.40" × 25.59" × 9.84")	
Rotation diameter		995 mm (39.17")	
Chassis above the ground		25 mm (0.98")	
Lifting tray dimension		850 mm × 650 mm (33.46" × 25.59")	
Lifting height		60 mm (2.36")	
Lifting type		Electrically lifting	
Weight		133 kg (293.21 lb.)	
Rated load		600 kg (1322.77 lb.)	
Navigation mode		Laser SLAM/2D barcode/Visual SLAM(ground texture)	
Human-machine interaction		Touch screen	
Safety Protection			
Front	Laser Obstacle Avoidance	Installation Height	190 mm (7.48")
		Scanning Angle	260°
		Max. Detection Range	10 m (393.70")
Side	Ultrasonic Obstacle Avoidance	Sensor quantity	One each on left and right sides
		Installation height	188 mm (7.40")
		Opening angle	Horizontal 80°, vertical 34°
		Max. detection range	0.2 m to 1 m (7.87" to 39.37")
Bumper Strip Detection		Front/Rear	
Emergency Stop Button		Front/Rear	
Motion Performance			
Rated running speed (empty)		2 m/s	
Rated running speed (rated load)		1.8 m/s	
Rated acceleration (empty)		1 m/s ²	
Rated acceleration (rated load)		0.5 m/s ²	
Rotation speed (empty)		200°/s	
Rotation speed (rated load)		100°/s	
Gradeability		3°	
Location angle accuracy		± 1°	
Location accuracy		± 10 mm (± 0.39")	
Battery Performance			
Battery Type		LiFePO	
Rated Voltage		48 V	
Charge Cycle		1500 times (for fully charging and discharging)	
Run Time		8 h	
Charge Time		≤ 1.5 h (for fully charging and discharging)	