

**PROPRIETARY AND CONFIDENTIAL**

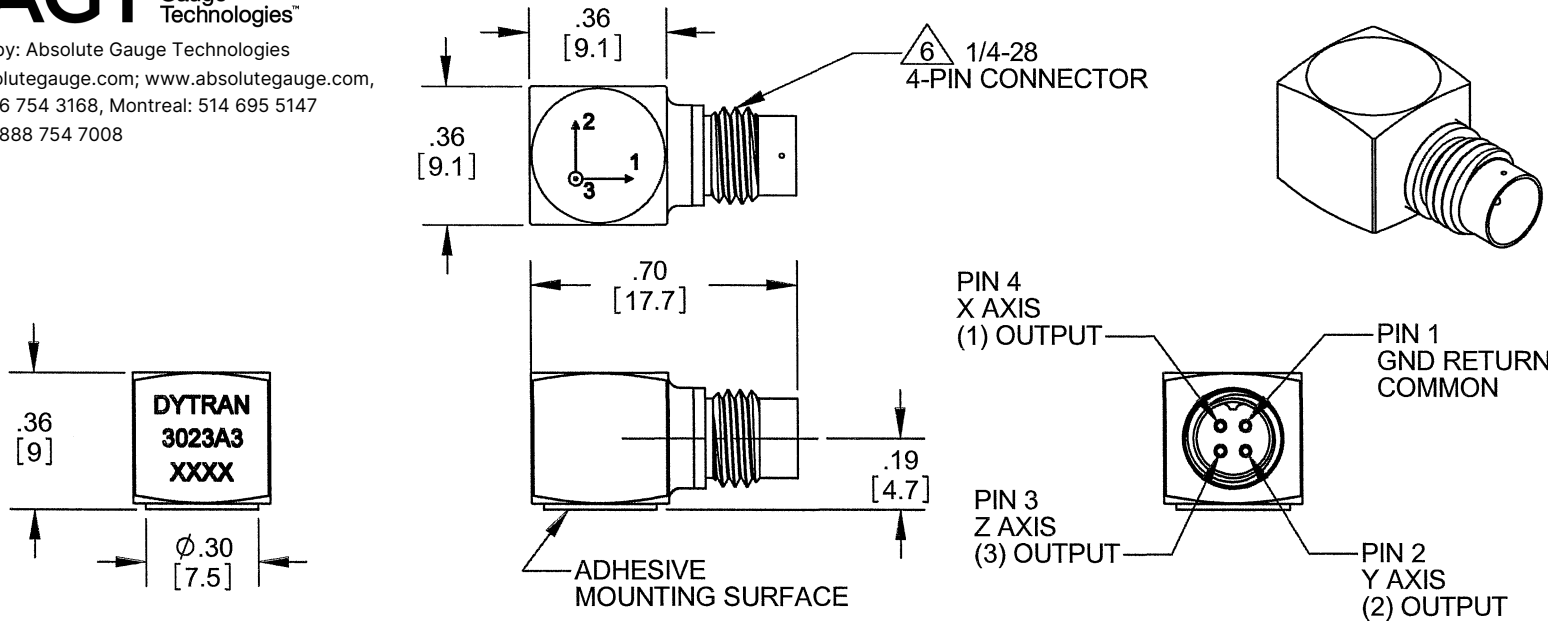
THE INFORMATION CONTAINED IN THIS DRAWING IS THE SOLE PROPERTY OF DYTRAN INSTRUMENTS INC. ANY REPRODUCTION IN PART OR AS A WHOLE WITHOUT THE WRITTEN PERMISSION OF DYTRAN INSTRUMENTS INC. IS PROHIBITED

**REVISIONS**

REV.	ECN	DESCRIPTION	BY/DATE	CHK	APPR
A	6250	ADDED NOTE 5 & 6, REFORMATED	RA, 11/23/09	Er	JL



Presented by: Absolute Gauge Technologies  
 sales@absoluteauge.com; www.absoluteauge.com,  
 Toronto: 416 754 3168, Montreal: 514 695 5147  
 Toll Free: 1 888 754 7008



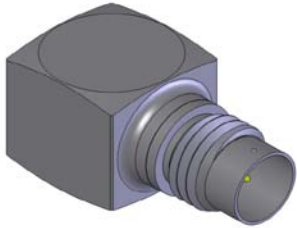
- 6. MATES WITH DYTRAN 6811AXX OR 6824AXX CABLE (XX=LENGTH IN FEET)
- 5. OPERATIONAL TEMPERATURE: RANGE -60° TO +250°F
- 4. SENSITIVITY: 5mV/G NOM.
- 3. WEIGHT: 3 GRAMS NOM
- 2. ARROWS INDICATE ACCELERATION DIRECTION FOR POSITIVE OUTPUT
- 1. MATERIAL: TITANIUM ALLOY

NOTES; UNLESS OTHERWISE SPECIFIED.

		UNLESS OTHERWISE SPECIFIED: INTERPRET DIM & TOL PER ASME Y14.5M - 1994. REMOVE BURRS. COUNTERSINK INTERNAL THDS 90° TO MAJOR DIA. CHAM EXT THDS 45° TO MINOR DIA. THD LENGTHS AND DEPTHS ARE FOR MIN FULL THDS. THDS PER MIL-S-7742. DIMENSIONS APPLY AFTER FINISHING. ALL MACHINED SURFACES. TOTAL RUNOUT WITHIN .005. BREAK SHARP EDGES .005 TO .010. MACHINED FILLET RADII .005 TO .015. WELDING SYMBOLS PER AWS A2.4. ABBREVIATIONS PER MIL-STD-12.		UNLESS OTHERWISE SPECIFIED: DIMENSIONS ARE IN INCHES. DIMENSIONS IN BRACKETS [ ] ARE IN MILLIMETERS TOLERANCES ARE: INCHES    METRIC    ANGLES .XX ± .03    X ± 0.8    ± 1° .XXX ± .010    .XX ± 0.25		CONTRACT NO.		<p><b>MASTER</b> ONLY IF IN RED</p>	
3023A3		MATERIAL		APPROVALS		TITLE:			
USED ON		FINISH		DATE		OUTLINE/INSTALLATION DRAWING, MODEL 3023A3			
APPLICATION		DO NOT SCALE DRAWING		ORIG PML 06/20/05		SIZE			
THIRD ANGLE PROJECTION USA				CHK PML 06/20/05		CAGE CODE			
				APP PML 06/20/05		DWG. NO.			
				APP		2W033			
						127-3023A3			
						REV			
						A			
						SCALE: 2:1			
						SOLIDWORKS			
						SHEET 1 OF 1			

**TRI AXIAL IEPE ACCELEROMETER**

REV B, ECN 11377, 10/14/2014



- **MINATURE SIZE**
- **EXCELLENT LINEARITY**
- **ULTRA LOW WEIGHT**

**PHYSICAL**

Weight, Max.  
Connector  
Mounting Provision  
Material, Housing/Connector  
Sensing Element  
Element Style

ENGLISH		SI	
0.11	oz	3.0	grams
4-PIN		4-PIN	
Adhesive Mount		Adhesive Mount	
Titanium Alloy		Titanium Alloy	
Quartz		Quartz	
Shear		Shear	

**PERFORMANCE**

Sensitivity, -10 / +15 % [1]  
Range for ± 5 Volts Output  
Frequency Response  
Resonant Frequency  
Broad Band Resolution  
Spectral Noise  
Linearity [2]  
Maximum Transverse sensitivity  
Strain Sensitivity @ 250µε

5	mV/g	0.5	mV/m/s <sup>2</sup>
±1000	g	±9807	m/s <sup>2</sup>
1.5 to 4000	Hz	1.5 to 4000	Hz
1.5 to 10000	Hz	1.5 to 10000	Hz
> 40	kHz	> 40	kHz
0.014	Grms	0.137	m/s <sup>2</sup> rms
0.006	µGrms/v(Hz)	0.059	µm/s <sup>2</sup> rms/v(Hz)
0.002	µGrms/v(Hz)	0.0196	µm/s <sup>2</sup> rms/v(Hz)
0.0004	µGrms/v(Hz)	0.0039	µm/s <sup>2</sup> rms/v(Hz)
0.0001	µGrms/v(Hz)	0.00098	µm/s <sup>2</sup> rms/v(Hz)
0.00008	µGrms/v(Hz)	0.00078	µm/s <sup>2</sup> rms/v(Hz)
1	% F.S.	1	% F.S.
5	%	5	%
0.039	g/µε	0.38	m/s <sup>2</sup> /µε

**ENVIRONMENTAL**

Maximum Vibration  
Maximum Shock  
Temperature Range  
Seal  
Magnetic Sensitivity at 100 Gauss

±600	Gpeak	±5884	m/s <sup>2</sup> peak
5000	Gpeak	49033	m/s <sup>2</sup> peak
-60 to +250	°F	-51 to +121	°C
Hermetic		Hermetic	
0.00005	g/Gauss	4.905	m/s <sup>2</sup> /T

**ELECTRICAL**

Supply Current Range [3]  
Compliance Voltage Range  
Output Impedance, Typ  
Bias Voltage  
Discharge Time Constant  
Electrical Isolation

2 to 20	mA	2 to 20	mA
18 to 30	Volts	18 to 30	Volts
100	Ω	100	Ω
9 to 11	VDC	9 to 11	VDC
0.3 to 1.5	Sec	0.3 to 1.5	Sec
Case Grounded	GΩ,min	Case Grounded	GΩ,min

**This family also includes:**

Model	Sensitivity (mV/g)	Frequency Response (Hz)	Mounting	Operating Temp (°F)
3023A	10 (-10 to +15%)	1.5 to 10000 (-5 to +15%)	Adhesive	-60 to +250
3023A1	10 (-10 to +15%)	1.5 to 10000 (-5 to +15%)	5-40 Tapped Hole	-60 to +250
3023A2	10 (-10 to +15%)	1.5 to 10000 (-5 to +15%)	10-32 Tapped Hole	-60 to +250
3023A4	5 (-10 to +15%)	1.5 to 10000 (-5 to +15%)	5-40 Tapped Hole	-60 to +250
3023A5	1 (±5%)	1.5 to 10000 (-5 to +15%)	Adhesive	-60 to +250
3023A6	5 (-10 to +15%)	1.5 to 10000 (-5 to +15%)	10-32 Tapped Hole	-60 to +250
3023A9	1 (±10%)	1.5 to 10000 (-5 to +15%)	10-32 Tapped Hole	-60 to +250

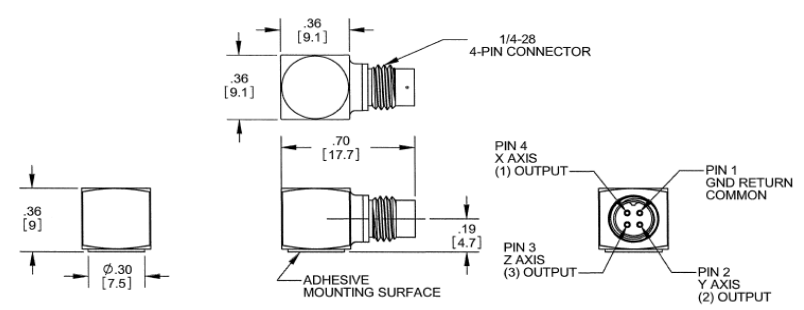
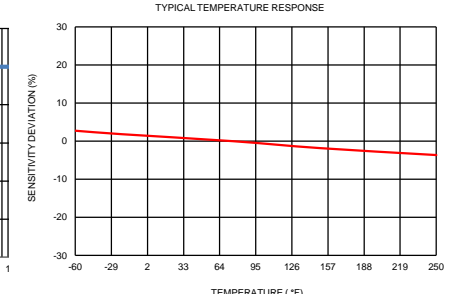
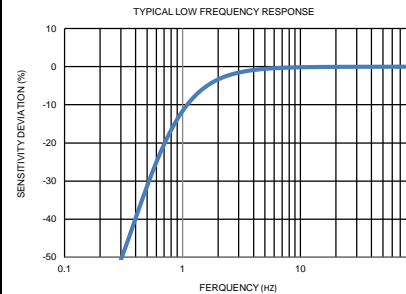
Refer to the performance specifications of the products in this family for detailed description

**Supplied Accessories:**

- 1) Accredited calibration certificate (ISO 17025)

**Notes:**

- [1] Measured at 100Hz, 1 Grms per ISA RP 37.2.
- [2] Measure using zero-based straight line method, % of F.S. or any lesser range.
- [3] Do not apply power to this system without current limiting, 20 mA MAX. To do so will destroy the IC charge amplifier.
- [4] In the interest of constant product improvement, we reserve the right to change specifications without notice.



Units on the line drawing are in inches, units in brackets are in millimeters. Refer to 127-3023A3 for more information.



21592 Marilla Street, Chatsworth, California 91311 Phone: 818.700.7818 Fax: 818.700.7880 www.dytran.com  
For permission to reprint this content, please contact info@dytran.com



Presented by: Absolute Gauge Technologies  
sales@absolute-gauge.com; www.absolute-gauge.com,  
Toronto: 416 754 3168, Montreal: 514 695 5147, Toll Free: 1 888 754 7008