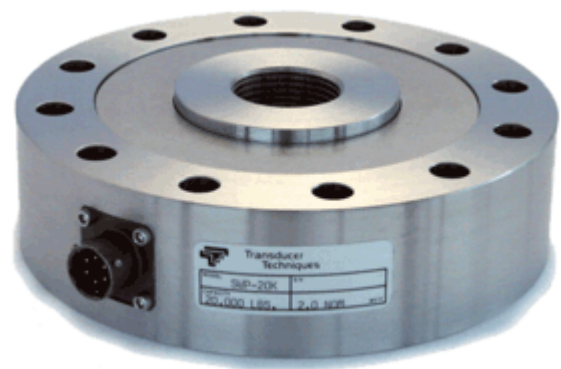


# PRECISION FATIGUE RESISTANT LOAD CELL UNIVERSAL / TENSION OR COMPRESSION

## SWP SERIES LOAD CELL

**CAPACITY RANGES:**  
1,000, 2,000, 3,000,  
5,000, 10,000, 20,000,  
50,000 LBS

Our SWP Series low profile load cells are an excellent choice for applications that require ultra stiffness and resistance to extraneous bending and side load forces. For tension and/or compression applications, the load cell is bolted down to a flat surface and center loaded, utilizing the thru tapped hole. Load buttons or load bearing compression only applications are offered in our accessories section. For in line tension applications, we recommend our tension base (-TB option) for hardness, flatness, stiffness, and alignment. The SWP Series load cell and the - TB (tension base) are manufactured from heat treated 17-4ph stainless steel. The same high quality full bridge strain gage installation is utilized in all our force and torque measuring products.



*Shown fastened to  
OPTION -TB1  
Tension Base*

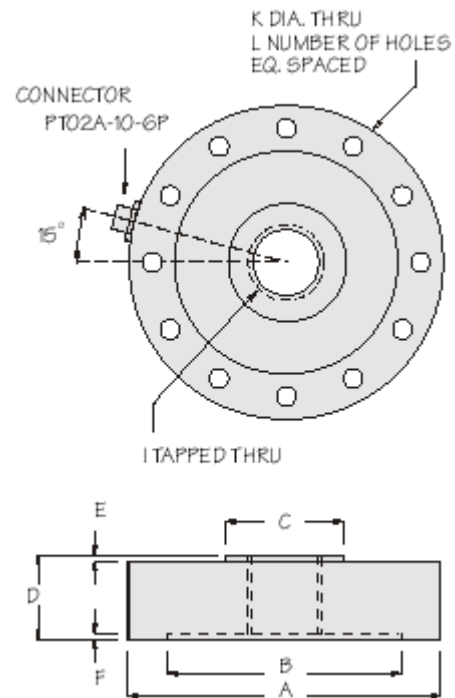
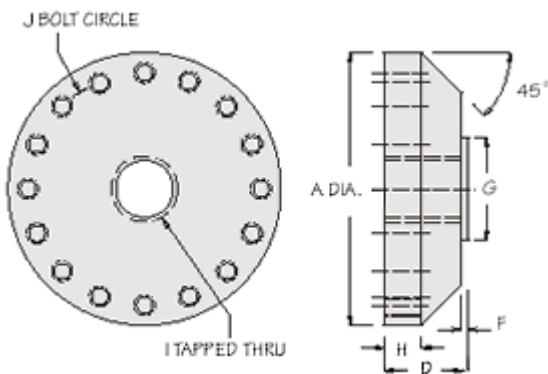
### Options

- TBO-SWP135** Tension Base (1K - 5K)
- TBO-SWP1020** Tension Base (5K - 20K)
- TBP-SWP-50K** Tension Base (50K)

MODEL	NATURAL RINGING FREQUENCY Hz
<b>SWP-1K</b>	4,000
<b>SWP-2K</b>	5,700
<b>SWP-3K</b>	7,300
<b>SWP-5K</b>	8,700
<b>SWP-5K</b>	6,500
<b>SWP-10K</b>	7,400
<b>SWP-20K</b>	8,500
<b>SWP-50K</b>	10,000

## SPECIFICATIONS

Rated Output (R.O.): 2 mV/V nominal  
 Nonlinearity: 0.05% of R.O.  
 Hysteresis: 0.05% of R.O.  
 Nonrepeatability: 0.05% of R.O.  
 Zero Balance: 1.0% of R.O.  
 Compensated Temp. Range: 60° to 160°F  
 Safe Temp. Range: -65° to 200°F  
 Temp. Effect on Output: 0.005% of Load/°F  
 Temp. Effect on Zero: 0.005% of R.O./°F  
 Terminal Resistance: 700 ohms nominal  
 Excitation Voltage: 10-20 VDC  
 Safe Overload: 150% of R.O.  
 Deflection Inches: 0.001 inches @ R.O.  
 Fatigue Life One Direction: 100 x 1000000  
 Fatigue Life Bidirectional: 50 x 1000000



DIMENSIONS (INCHES)

MODEL	CAPACITY LBS.	A DIA	B DIA	C DIA	D	E	F	G DIA	H	I THREAD	J	K	L
SWP-1K	1,000	4.125	2.775	1.65	1.375	0.125	0.05	1.25	0.50	5/8-18 UNF	3.500	0.281	8
SWP-2K	2,000	4.125	2.775	1.65	1.375	0.125	0.05	1.25	0.50	5/8-18 UNF	3.500	0.281	8
SWP-3K	3,000	4.125	2.775	1.65	1.375	0.125	0.05	1.25	0.50	5/8-18 UNF	3.500	0.281	8
SWP-5K-4	5,000	4.125	2.775	1.65	1.375	0.125	0.05	1.25	0.50	5/8-18 UNF	3.500	0.281	8
SWP-5K	5,000	6.000	4.260	2.50	1.750	0.125	0.05	2.25	0.81	1 1/4-12 UNF	5.125	0.406	12
SWP-10K	10,000	6.000	4.260	2.50	1.750	0.125	0.05	2.25	0.81	1 1/4-12 UNF	5.125	0.406	12
SWP-20K	20,000	6.000	4.260	2.50	1.750	0.125	0.05	2.25	0.81	1 1/4-12 UNF	5.125	0.406	12
SWP-50K	50,000	8.000	5.000	3.14	2.000	0.125	0.05	3.14	0.81	1 3/4-12 UNF	6.500	0.531	16