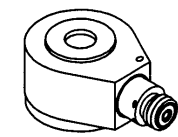
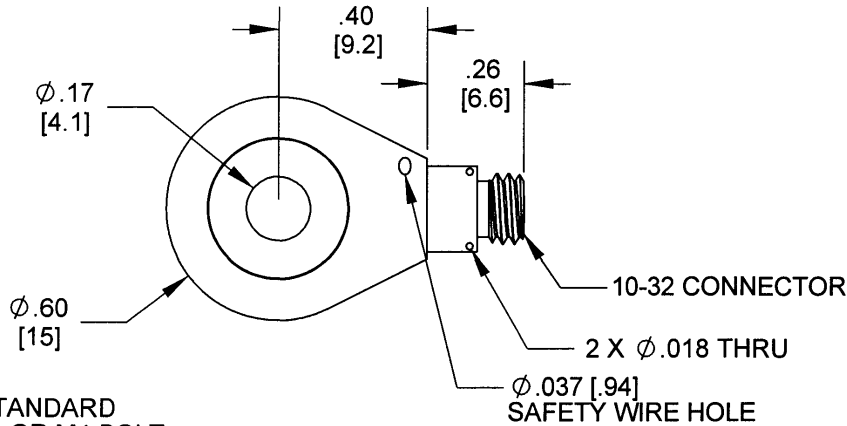


**PROPRIETARY AND CONFIDENTIAL**

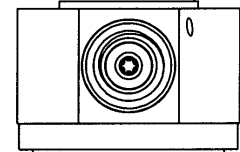
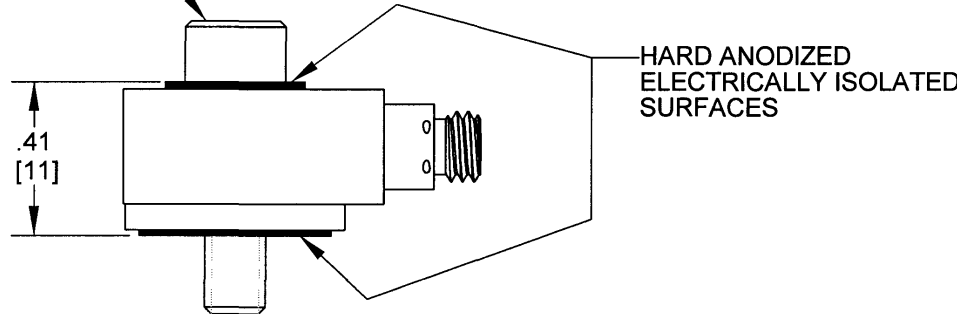
THE INFORMATION CONTAINED IN THIS DRAWING IS THE SOLE PROPERTY OF DYTRAN INSTRUMENTS INC. ANY REPRODUCTION IN PART OR AS A WHOLE WITHOUT THE WRITTEN PERMISSION OF DYTRAN INSTRUMENTS, INC. IS PROHIBITED

**REVISIONS**

REV.	ECN	DESCRIPTION	BY/DATE	CHK	APPR
A	5279	ADDED NOTE 1	RA, 6/12/08	98	DV



1 STANDARD #8 OR M4 BOLT



1 TORQUE MOUNTING BOLT TO: 15-20 LB-INCHES.

NOTES: UNLESS OTHERWISE SPECIFIED.

3211A1: 10mV/g  
3211A2: 100mV/g

DRILL HOLE SIZE	TOLERANCE
.0135 THRU .125	+0.004 / -0.001
.1260 THRU .250	+0.005 / -0.001
.2510 THRU .500	+0.006 / -0.001
.5010 THRU .750	+0.008 / -0.001
.7510 THRU 1.000	+0.010 / -0.001
1.001 THRU 2.000	+0.012 / -0.001

UNLESS OTHERWISE SPECIFIED:  
INTERPRET DIM & TOL PER ASME Y14.5M - 1994.  
REMOVE BURRS.  
COUNTERSINK INTERNAL THDS 90° TO MAJOR DIA.  
CHAM EXT THDS 45° TO MINOR DIA.  
THD LENGTHS AND DEPTHS ARE FOR MIN FULL THDS.  
THDS PER MIL-S-7742.  
DIMENSIONS APPLY AFTER FINISHING.  
ALL MACHINED SURFACES.  
TOTAL RUNOUT WITHIN .005.  
BREAK SHARP EDGES .005 TO .010.  
MACHINED FILLET RADII .005 TO .015.  
WELDING SYMBOLS PER AWS A2.4.  
ABBREVIATIONS PER MIL-STD-12.

UNLESS OTHERWISE SPECIFIED:  
DIMENSIONS ARE IN INCHES.  
TOLERANCES ARE:  
  
DECIMALS      ANGLES  
.XX ± .010      ± 1°  
.XXX ± .005  
  
MATERIAL  
  
FINISH  
  
DO NOT SCALE DRAWING

CONTRACT NO.	
APPROVALS	DATE
ORIG      PML	4/1/2005
CHK	
APP      PML	12/9/08
APP	

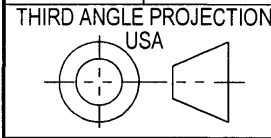
**DYTRAN INSTRUMENTS, INC.** Chatsworth, CA

**MASTER ONLY IF IN RED**

TITLE: **OUTLINE DRAWING, MODEL 3211A**

SIZE	CAGE CODE	DWG. NO.	REV
<b>A</b>	<b>2W033</b>	<b>127-3211A</b>	<b>A</b>

SCALE: 2:1      SOLIDWORKS      SHEET 1 OF 1

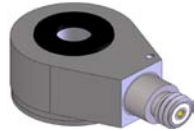


172-0081, REV A



Presented by: Absolute Gauge Technologies  
sales@absolutegauge.com; www.absolutegauge.com,  
Toronto: 416 754 3168, Montreal: 514 695 5147, Toll Free: 1 888 754 7008

	<b>IEPE ACCELEROMETER</b>	REV E, ECN 11029, 05/28/14
--	---------------------------	----------------------------



- EXCELLENT LINEARITY
- HERMETICALLY SEALED

**PHYSICAL**

Weight  
 Connector, coaxial  
 Mounting Provision, thru hole  
 Material Body/Connector  
 Sensing Element  
 Element Style

ENGLISH		SI	
Weight	0.35 oz	10 grams	
Connector, coaxial	10-32	10-32	
Mounting Provision, thru hole	Ø.17 thru hole	Ø 4.3 thru hole	mm
Material Body/Connector	Titanium	Titanium	
Sensing Element	Quartz	Quartz	
Element Style	Shear	Shear	

**PERFORMANCE**

Sensitivity +/- 5% [1]  
 Range for ± 5 Volts Output  
 Frequency Response, ± 5%  
 Resonant Frequency  
 Equivalent Electrical Noise Floor, 1Hz to 10kHz  
 Linearity [2]  
 Maximum Transverse Sensitivity  
 Strain Sensitivity @250µε

Sensitivity +/- 5% [1]	10 mV/g	1.02 mV/m/s <sup>2</sup>
Range for ± 5 Volts Output	± 500 g pk	± 490 m/s <sup>2</sup>
Frequency Response, ± 5%	1.0 to 10000 Hz	1.0 to 10000 Hz
Resonant Frequency	> 31 kHz	> 31 kHz
Equivalent Electrical Noise Floor, 1Hz to 10kHz	0.005 g rms	0.049 m/s <sup>2</sup> rms
Linearity [2]	± 1% %F.S	± 1% %F.S
Maximum Transverse Sensitivity	5%	5%
Strain Sensitivity @250µε	0.04 g/µε	0.39 m/s <sup>2</sup> /µε

**ENVIROMENTAL**

Maximum Vibration  
 Maximum Shock  
 Temperature Range  
 Seal  
 Coefficient Of Thermal Sensitivity  
 Magnetic Sensitivity @ 100 Gauss (0,01 Tesla)

Maximum Vibration	500 ±gpk	4905 ± m/s <sup>2</sup> pk
Maximum Shock	5000 ±gpk	49050 ± m/s <sup>2</sup> pk
Temperature Range	-67 to +250 °F	-51 to +121 °C
Seal	Hermetic	Hermetic
Coefficient Of Thermal Sensitivity	0.06 %/°F	0.108 %/°C
Magnetic Sensitivity @ 100 Gauss (0,01 Tesla)	0.004 g/Gauss	392.40 m/s <sup>2</sup> /T

**ELECTRICAL**

Supply Current  
 Compliance Voltage Range  
 Output Impedence, Typ  
 Bias Voltage  
 Discharge Time Constant  
 Electrical Isolation [3]  
 Output Signal Polarity [4]

Supply Current	2 to 20 mA	2 to 20 mA
Compliance Voltage Range	18 to 30 V	18 to 30 V
Output Impedence, Typ	120 Ω	120 Ω
Bias Voltage	+11 to +13 VDC	+11 to +13 VDC
Discharge Time Constant	0.8 to 2.0 sec	0.8 to 2.0 sec
Electrical Isolation [3]	10 GΩ	10 GΩ
Output Signal Polarity [4]	positive	positive

**This family also includes:**

Model	Sensitivity (mV/g)	Frequency Response (Hz)	Time Constant (Sec)	Operating Temp (°F)
3211A2	100	1 to 10000	0.8 to 2.0	-67 to 250

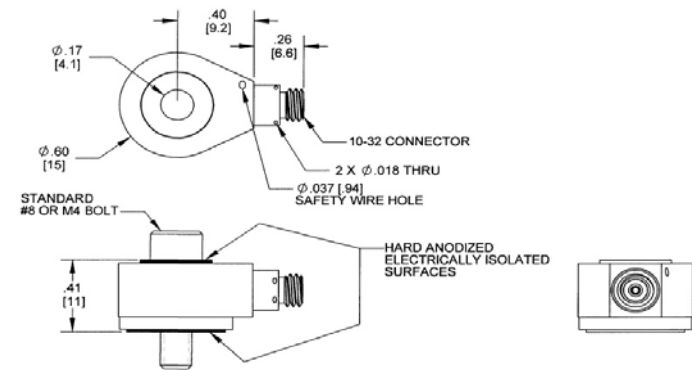
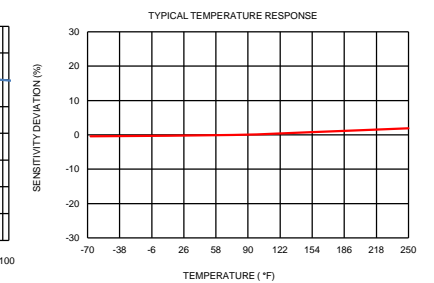
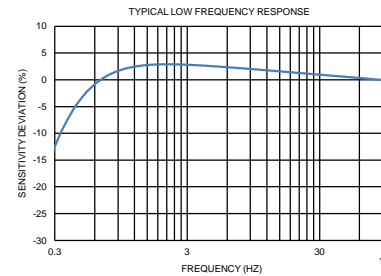
Refer to the performance specifications of the products in this family for detailed description

**Supplied Accessories:**

- 1) Accredited calibration certificate (ISO 17025)
- 2) Model 6595 mounting screw (8-32)
- 3) Model 6597 mounting Screw (M4x.7)

**Notes:**

- [1] Measured at 100Hz, 1 Grms per ISA RP 37.2.
- [2] Measure using zero-based straight line method, % of F.S. or any lesser range.
- [3] Electrical ground isolated from sensor mounting surface.
- [4] For acceleration into base.
- [5] Do not apply power to this system without current limiting, 20 mA MAX. To do so will destroy the IC charge amplifier.
- [6] In the interest of constant product improvement, we reserve the right to change specifications without notice.



Units on the line drawing are in inches, units in brackets are in millimeters. Refer to 127-3211A for more information.



21592 Marilla Street, Chatsworth, California 91311 Phone: 818.700.7818 Fax:818.700.7880 www.dytran.com  
 For permission to reprint this content, please contact info@dytran.com



Presented by: Absolute Gauge Technologies  
 sales@absolute-gauge.com; www.absolute-gauge.com,  
 Toronto: 416 754 3168, Montreal: 514 695 5147, Toll Free: 1 888 754 7008