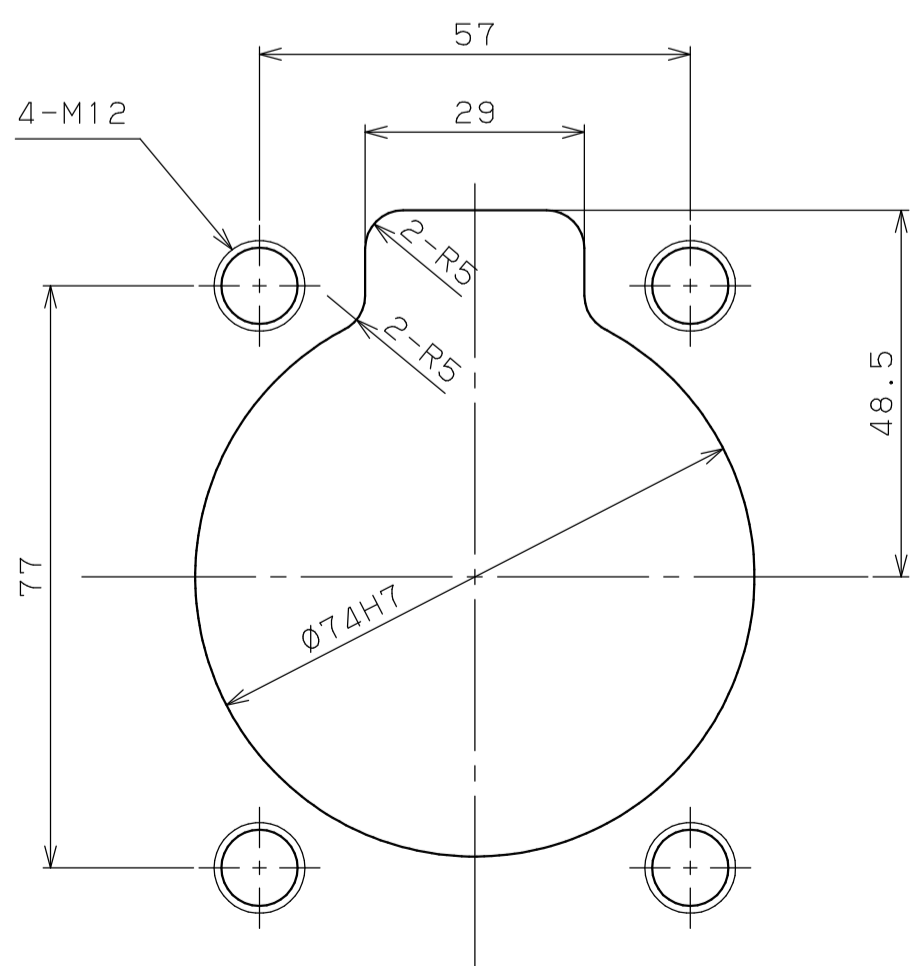
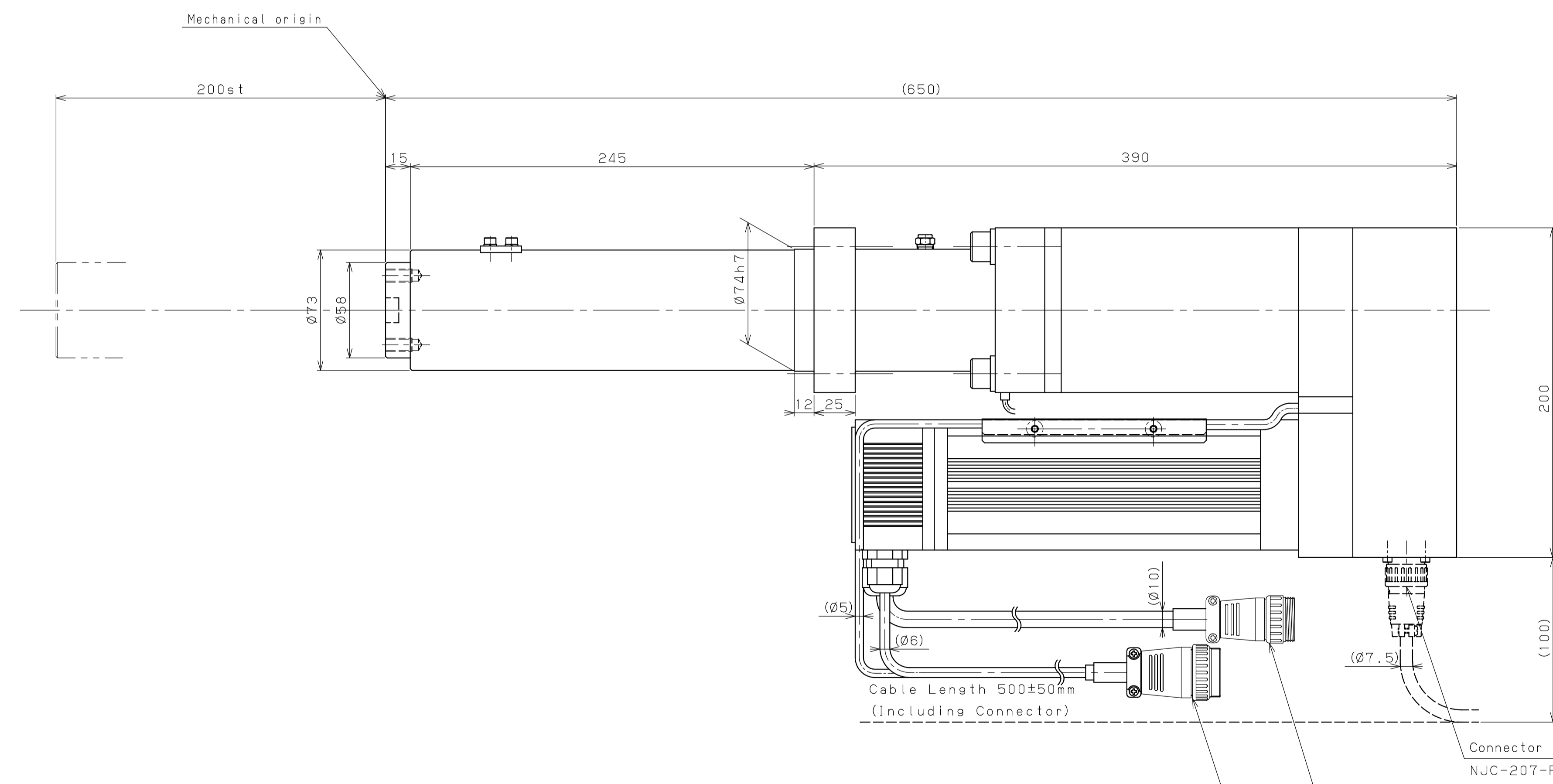
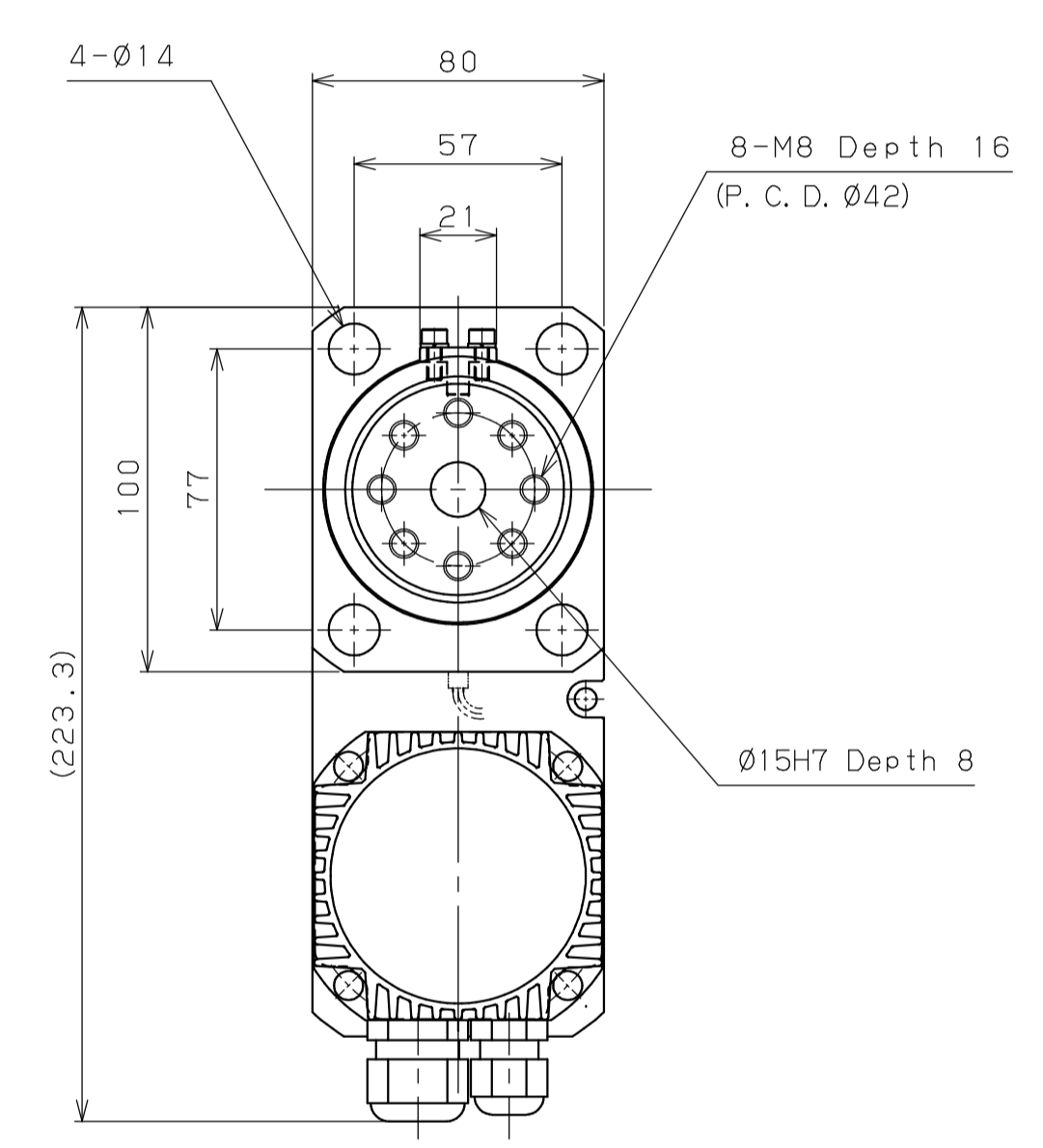
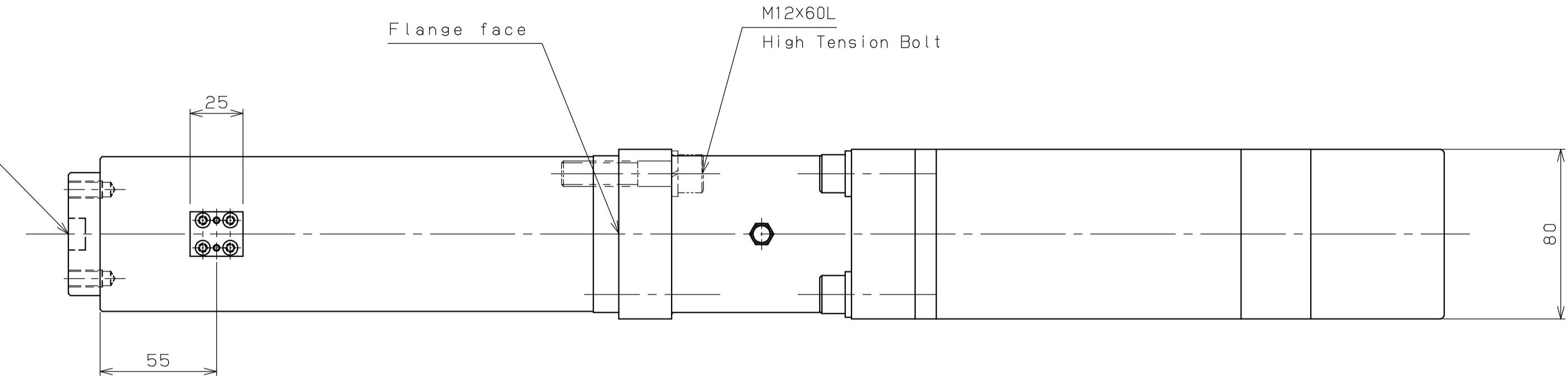


MARK	DATE	REVISION	CHA
△			
△			
△			

Around 10mm back and also 5mm forward from origin when origin searching
Pay attention when mechanical design



Mounting for CS20 (2:1)

- Spec.
1. Normal Force 14kN
 2. Max. Force 20kN
 3. Max. Stroke 200mm
 4. Max. Travel Speed 270mm/sec
 5. Max. Press Speed 30mm/sec

Cable Length 500±50mm
(Including Connector)

Connector for Encoder and Load cell
NJC-2824-ADM (Nanaboshi)

Connector for Motor Power
NJC-245-ADM (Nanaboshi)

Connector for Sensor and Holding brake
NJC-207-PF (Nanaboshi)

QTY	品数	SEMP. TRIM	定数処理	納入先	USER
MATERIAL	材質	HEAT. TRIM	熱処理	名称	TITLE
					CS20-200B
FINISH	仕上	HARDNESS	硬度	品名	SUB TITLE
					Dimensions
WEIGHT	重量	CASE DEPT	梱包庫高		
REMARKS	備考				J-F CODE
長	APPD.	検図	CHK.	設計	DES.
				製図	DFT.
				尺渡	SCL.
				日付	DATE
				09.08.24	
				3RD. ANG. PRO.	
				三角法	
				図番	DWG. NO.
					CS20-200B ENG