

MV-LE100-*W24

Analog Light Controller



Introduction

MV-LE100 analog light controller supports infinitely variable brightness and outputting multichannel light sources. It provides trigger input connectors, device management interface, etc. The analog light controller helps users realize fast and convenient deployment of vision light source on site.

Key Feature

- Adopts constant voltage control and supports infinitely variable brightness.
- Adopts knob control on control panel, and plug and play.
- Provides multichannel opto-isolated inputs.
- Supports installation via slide rail or screw hole.
- Supports overcurrent, overload, and short circuit protection.

Available Model

- 2-channel, output power 24 W: MV-LE100-24W24-2
- 2-channel, output power 48 W: MV-LE100-48W24-2
- 4-channel, output power 60 W: MV-LE100-60W24-4D
- 4-channel, output power 120 W: MV-LE100-120W24-4
- 2-channel, output power 200 W: MV-LE100-200W24-2BD (lighting output connector: 12M-2F)
- 1-channel, output power 432 W: MV-LE100-500W24-1ED (lighting output connector: 19M-2H)

Specification

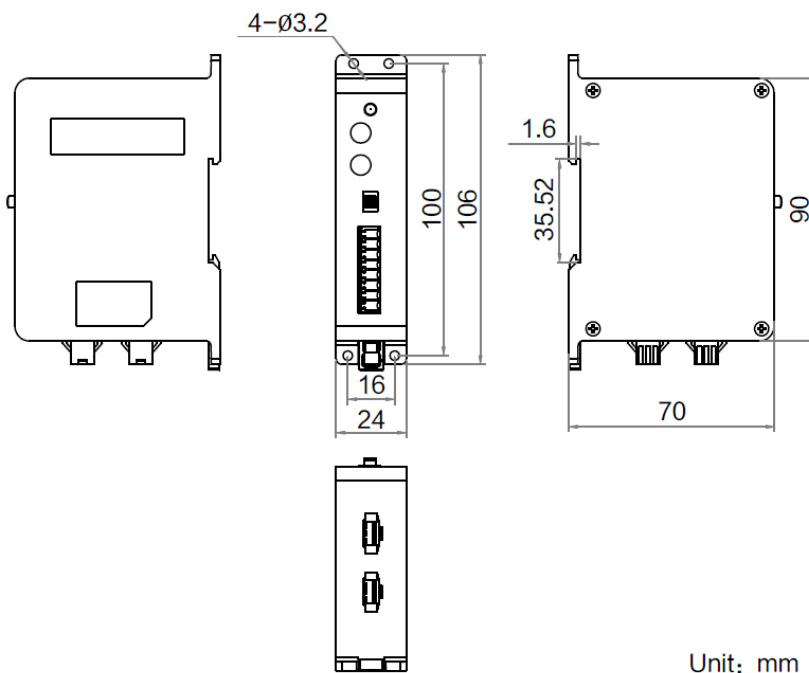
Model	MV-LE100-24W24-2	MV-LE100-48W24-2	MV-LE100-60W24-4D
Performance			
Drive mode	Analog, constant voltage		
Lighting mode	Continuous, strobe		
Channel	2-channel	4-channel	
Dimming mode	Control panel (knob)		Control panel (knob), software (serial port)
Lighting response time	< 550 μ s	< 300 μ s	
Trigger mode	External trigger		
Applicable product	Ring light, bar light, flat light, coaxial light, etc.		
Electrical feature			
Input voltage	20 VDC to 24 VDC	24 VDC	100 VAC to 240 VAC, 50 Hz/60 Hz
Input current	1.5 A	2.5 A	1.8 A (115 VAC) 1 A (230 VAC)
Output voltage	24 VDC		
Output current	Max. 1 A		Max. 2.5 A
Output power	Max. 24 W	Max. 48 W	Max. 60 W
Output current for each channel	Max. 0.5 A	Max. 1 A	Max. 1.2 A
Trigger in	High level 4.5 VDC to 24 VDC, low level 0 VDC to 2 VDC		
Mechanical			
Power supply interface	3.5 mm \times 2 terminal block	5.08 mm \times 2 terminal block	C13 220 VAC interface
Digital I/O	Opto-isolated input \times 2		Opto-isolated input \times 4
Lighting output connector	SMR-03V-BC		
Dimension	24 mm \times 70 mm \times 106 mm (0.9" \times 2.8" \times 4.2")	90 mm \times 63.2 mm \times 139.5 mm (3.5" \times 2.5" \times 5.5")	130 mm \times 92.9 mm \times 169.5 mm (5.1" \times 3.7" \times 6.7")
Shell material	Plastic		
Weight	Approx. 162 g (0.4 lb.)	Approx. 235 g (0.5 lb.)	Approx. 700 g (1.5 lb.)
Temperature	Working temperature: 0 $^{\circ}$ C to 40 $^{\circ}$ C (32 $^{\circ}$ F to 104 $^{\circ}$ F) Storage temperature: -20 $^{\circ}$ C to 60 $^{\circ}$ C (-4 $^{\circ}$ F to 140 $^{\circ}$ F)		
Humidity	20% RH to 85% RH (no condensation)		
Ingress protection	IP30		
Cooling mode	Natural cooling	Fan cooling	
General			
Certification	CE, KC		

Specification

Model	MV-LE100-120W24-4	MV-LE100-200W24-2BD	MV-LE100-500W24-1ED
Performance			
Drive mode	Analog, constant voltage		
Lighting mode	Continuous, strobe		
Channel	4-channel	2-channel	1-channel
Dimming mode	Control panel (knob)	Control panel (knob), software (serial port)	
Lighting response time	< 100 μ s		< 10 μ s
Trigger mode	External trigger		
Applicable product	Ring light, bar light, flat light, coaxial light, etc.	Ring light, bar light, flat light, coaxial light, etc. Applicable light interface: 12M-2A	Flat light with hole Applicable light interface: 19M-2A
Electrical feature			
Input voltage	100 VAC to 240 VAC, 50 Hz/60 Hz		
Input current	2.1 A (115 VAC) 1.2 A (230 VAC)	1.8 A (115 VAC) 1 A (230 VAC)	5 A (115 VAC) 2.5 A (230 VAC)
Output voltage	24 VDC		
Output current	Max. 5 A	Max. 8.4 A	Max. 18 A
Output power	Max. 120 W	Max. 200 W	Max. 432 W
Output current for each channel	Max. 3 A	Max. 6 A	Max. 18 A
Trigger in	High level 4.5 VDC to 24 VDC, low level 0 VDC to 2 VDC		
Mechanical			
Power supply interface	C13 220 VAC interface		
Digital I/O	Opto-isolated input \times 4	Opto-isolated input \times 2	Opto-isolated input \times 1
Lighting output connector	SMR-03V-BC	12M-2F	19M-2H
Dimension	130 mm \times 92.9 mm \times 169.5 mm (5.1" \times 3.7" \times 6.7")		347.6 mm \times 180 mm \times 150.8 mm (13.7" \times 7.1" \times 5.9")
Shell material	Plastic		
Weight	Approx. 795 g (1.8 lb.)	Approx. 820 g (1.8 lb.)	Approx. 4.4 kg (9.7 lb.)
Temperature	Working temperature: 0 $^{\circ}$ C to 40 $^{\circ}$ C (32 $^{\circ}$ F to 104 $^{\circ}$ F) Storage temperature: -20 $^{\circ}$ C to 60 $^{\circ}$ C (-4 $^{\circ}$ F to 140 $^{\circ}$ F)		
Humidity	20% RH to 85% RH (no condensation)		
Ingress protection	IP30		
Cooling mode	Fan cooling		
General			
Certification	CE, KC		

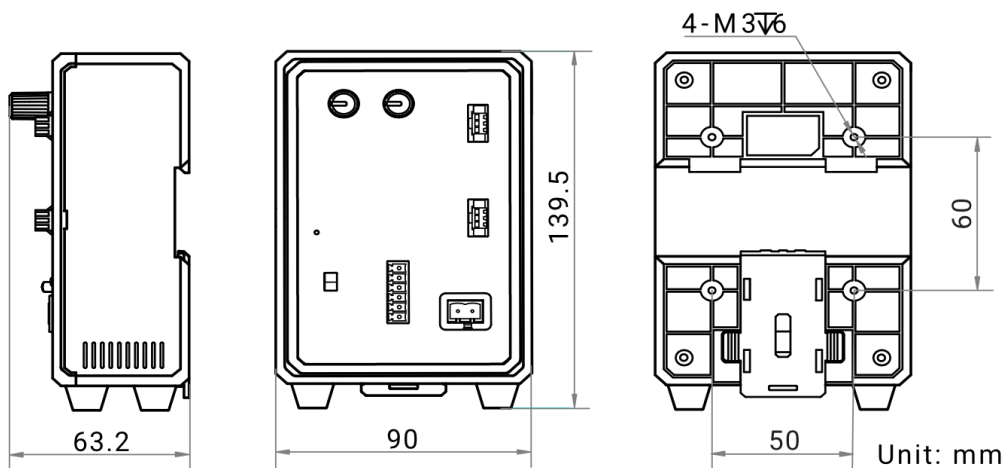
Dimension

MV-LE100-24W24-2:



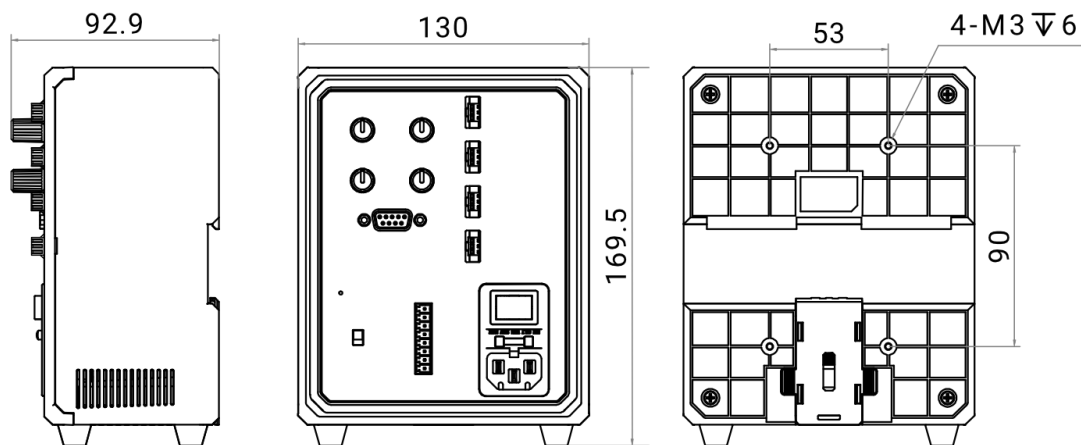
Unit: mm

MV-LE100-48W24-2:



Unit: mm

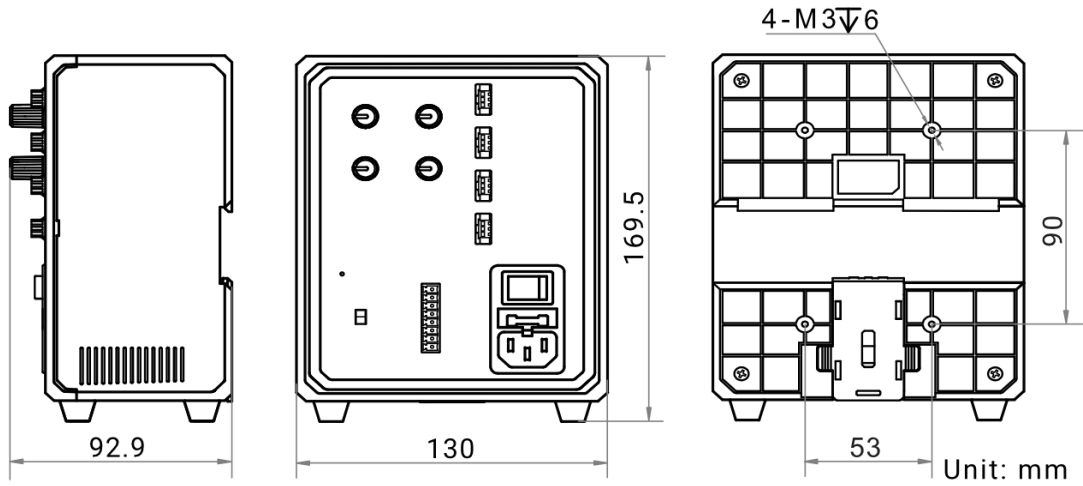
MV-LE100-60W24-4D:



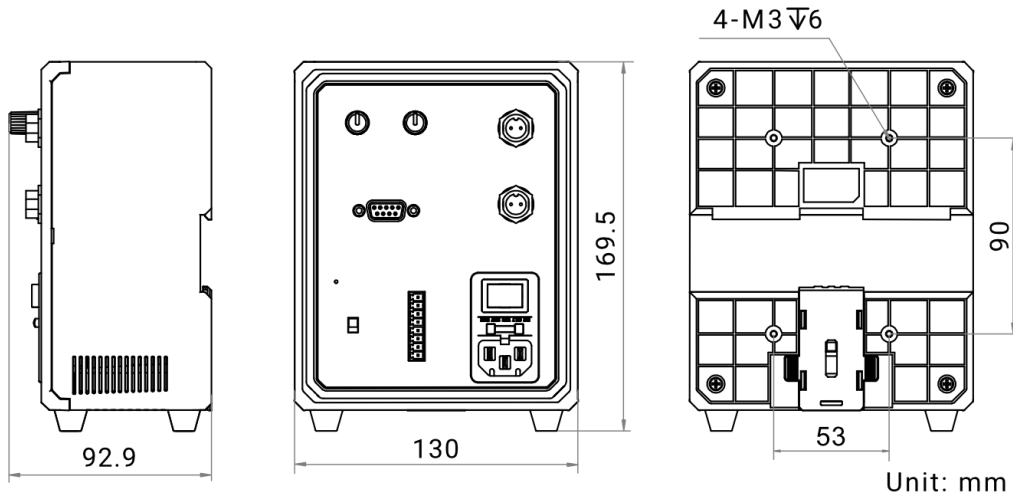
Unit: mm

Dimension

MV-LE100-120W24-4:



MV-LE100-200W24-2BD:



MV-LE100-500W24-1ED:

