

MV-LDFM-H High Brightness Dot-Type Lighting

MV-LDFM-H High Brightness Dot-Type Lighting, through the high brightness LED lamp beads and special optical lens structure design, to achieve high illumination, high concentration of light, high uniformity of the circular direct light effect. Small and compact dimensions, suitable for the installation of limited size, high brightness requirements of the lighting scene.



Key Features

- Round direct light source, uniform illumination in the center illuminated area.
- High-brightness spotlight design, surface illuminance (center) >2 million Lux.
- Compact size to fit in very narrow installation spaces.

Applicable Industry

Contour/dimension measurement, surface defect detection, etc.

Available Model

- MV-LDFM-H-20-10-W: White
- MV-LDFM-H-20-5-IR850: IR850

Naming Rule

MV - LDFM - H - 20 - 10 - W

LDFM: High Brightness dot-type lighting

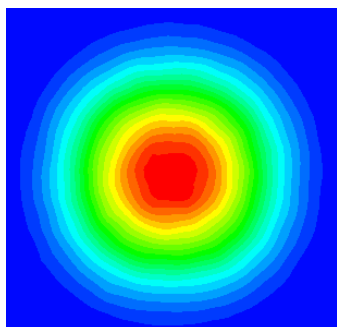
H: Hik style series

20: Optical outlet diameter

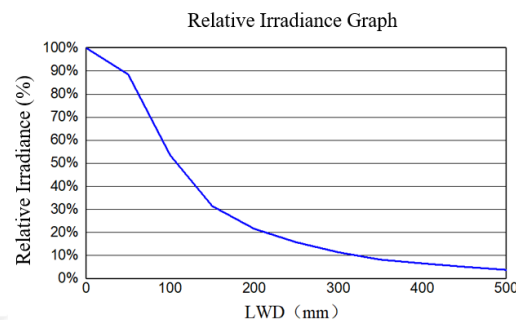
10: Power consumption

W: Color

Illuminance Distribution Image



White Light Relative Radiation Illuminance Graph



Lighting Signal



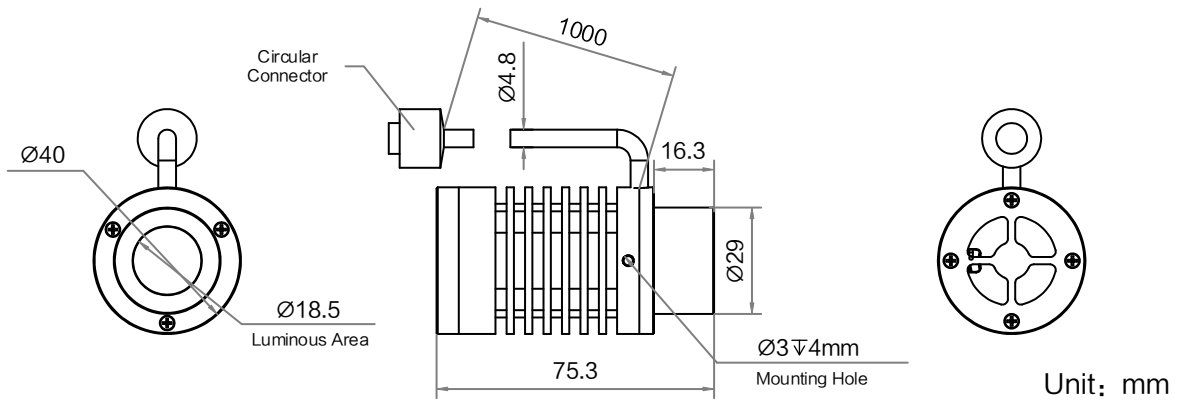
Specification

Parameter	Performance			Mechanical			Electrical feature		
	Color	Center illuminance	Best working distance	Dimension	Optical outlet diameter	Weight	Power consumption	Input current	Connector type
MV-LTDS-H-100-W	White	> 400Klux@WD=100 mm	50 ~ 500 mm	75.3 mm × Ø40 mm	Ø18.5 mm	0.1 kg	9 W	3 A	12M-5A
MV-LTDS-H-200-W	Infrared	> 150mW/cm2@WD=100 mm	50 ~ 500 mm	75.3 mm × Ø40 mm	Ø18.5 mm	0.1 kg	5 W	1.5 A	12M-5A

Other Parameter

Model	MV-LDFM-H
Parameter	High Brightness Dot-Type Lighting
Performance	
Drive mode	Constant current
Wavelength	IR: 850 nm
Color temperature	W: 6000 ~ 7000K
Mechanical	
Cable length	1 m
Cooling mode	Natural cooling
Temperature	Working temperature: 0 ~ 40°C Storage temperature: -20 ~ 80°C
Humidity	5% to 90%RH, non-condensing

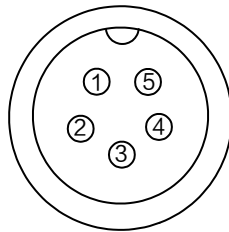
Dimension



Related Accessories

- Digital Light Controller: MV-LE201-30W5-2FD
- Lighting Accessories: MV-LW-H-003-1-12M5A

12M-5A Interface Definition



Pin	Color	Signal
1	Blue	Light source power supply-
2	Red	Light source power supply +
3	Pink	Point light source type identification signal
4	Red	Point light source fan power supply
5	Black	Point light source fan electrically

HIKROBOT

Hangzhou Hikrobot Co. Ltd.
en.hikrobotics.com

AGT Absolute Gauge Technologies™

Presented by: Absolute Gauge Technologies
sales@absolutegauge.com; www.absolutegauge.com,
Toronto: 416 754 3168, Montreal: 514 695 5147, Toll Free: 1 888 754 7008

© Hangzhou Hikrobot Co., Ltd. All Rights Reserved.

Hangzhou Hikrobot does not tolerate any infringement. Any organization or individual may not imitate or reproduce in whole or in part of the content. The data herein is based on Hikrobot's internal evaluation. Actual data may vary depending on specific configuration and operating condition. The information herein is subject to change without notice. All the content has been checked conscientiously. Nevertheless, Hikrobot shall not be liable to damages resulting from errors, inconsistencies or omissions.