

Rocker Pin Load Cell CA40X with a Rated Load of 100 ... 200 t

Data sheet



Performance Features

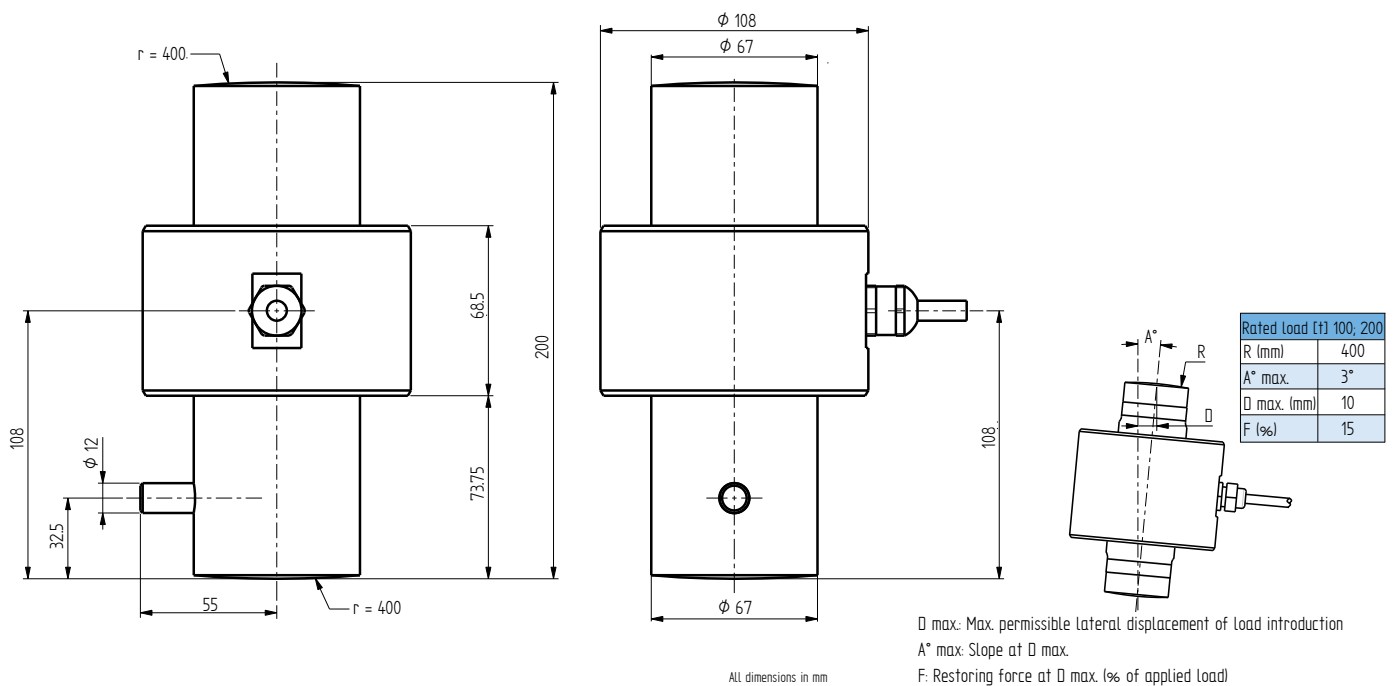
- Rocker Pin Load Cell made of stainless steel
- Protection class IP68, welded
- Spherical and self centering base
- Anti-rotating system included
- Ideally suited for high capacity silo weighing
- ATEX 2014/34/EU version for hazardous area (option)

Application

- Food industry
- Coal and steel industry
- Chemical / pharmaceutical industry
- Waste management / recycling
- Packaging technology



Dimensions in mm



Article-No.	Version	Rated load [t]
105152	P3 5e	100
105153	P3 5e	200

Connection Assignment

Electrical Connection

Function	Wire Color	
Excitation (+)	Red	●
Signal (+)	White	○
Signal (-)	Yellow	●
Excitation (-)	Blue	●



AGT Absolute Gauge Technologies™

Presented by: Absolute Gauge Technologies
 sales@absolute-gauge.com; www.absolute-gauge.com,
 Toronto: 416 754 3168, Montreal: 514 695 5147, Toll Free: 1 888 754 7008

Technical Data

Type	CA40X	
Version		P3 5e
Rated load E	t	100; 200
Maximum load for approved weighing E_{max}	t	-
Accuracy class OIML R60		-
Maximum numbers of load cell intervals n_{max}	d OIML	-
Minimum verification interval v_{min}	kg	-
Creep division factor $Z = E_{max}/2 \times DR$		-
Combined error	% E	±0.024
Temperature coefficient of zero signal	% E/°C	±0.0028
Temperature coefficient of characteristic value	% E/°C	±0.002
Load creep d_{cr, F} in 30 min.	% E	±0.033
Zero balance	% E	±2.5
Rated output at E C_{nom}	mV/V	2 ±10 %
Rated range of excitation voltage B_{U, nom}	V	1 ... 15
Input resistance R_e	Ω	815 ±20
Output resistance R_a	Ω	700 ±0.35
Insulation resistance R_{is}	MΩ/50V	5000
Electrical connection		Cable, PVC, 15 m
Material cable gland		Nickel plated steel
Rated temperature range B_{T, nom}	°C	-10 ... 40
Operating temperature range B_{T, G}	°C	-20 ... 60
Limit load E_{lim}	% E _{max}	150
Breaking load E_b	% E _{max}	300
Tightening torque	Nm	-
Level of protection		IP68
Material		Stainless steel
Weight	kg	100 t = 7.7; 200 t = 8.5

Options

Article-No.	Description
107798	ATEX 2014/34/EU, IECEx: ex II 1 G/D, Ex ia IIC T6 Ga, Ex ia IIIC T80 °C Da, IP6X, -20 °C < Ta < +60 °C (zones gaz 0/1/2, dust 20/21/22)
115049	ATEX 2014/34/EU, IECEx: ex II 1 D, Ex ta IIIC T125 °C Da, IP6X, -20 °C < Ta < +60 °C (zones dust 20/21/22)
115048	ATEX 2014/34/EU, IECEx: ex II 3 G, Ex nA IIC T6 Gc, -20 °C < Ta < +60 °C (zone gaz 2)

Accessories

Electrical Connection

Article-No.	Description
10323	Male cable connector KS6 (6-pin, Series 581) incl. mounting
10320	Male cable connector KSSH15 (15-pin) incl. mounting
43418	Input connector ZA9612FS (ALMEMO) incl. sensor mounting and connector calibration
49205	Input connector ZKD712FS (ALMEMO 202) incl. sensor mounting and connector calibration





AGT Absolute
Gauge
Technologies™

Presented by: Absolute Gauge Technologies
sales@absolute-gauge.com; www.absolute-gauge.com,
Toronto: 416 754 3168, Montreal: 514 695 5147, Toll Free: 1 888 754 7008

Accessories (continued)

Assembly kit

Article-No.	Description	Material	
108589	Stabican 200t	Galvanized steel	
113288	Plates Kit	Galvanized steel	



AGT Absolute
Gauge
Technologies™

Presented by: Absolute Gauge Technologies
sales@absolute-gauge.com; www.absolute-gauge.com,
Toronto: 416 754 3168, Montreal: 514 695 5147, Toll Free: 1 888 754 7008